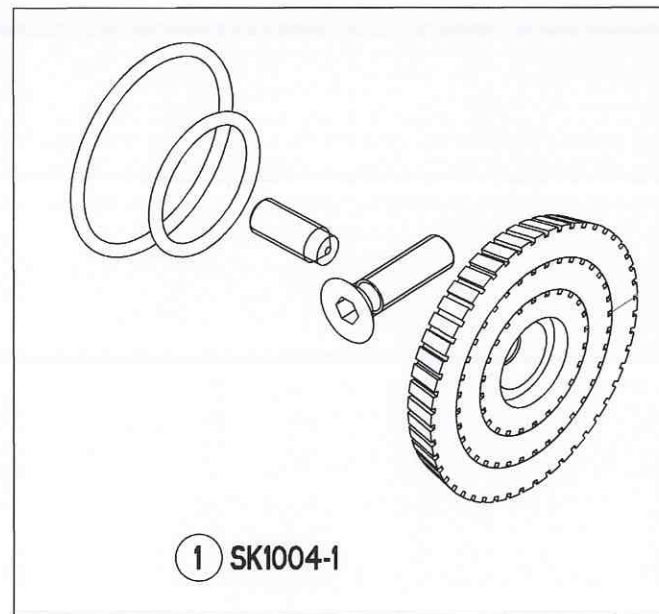
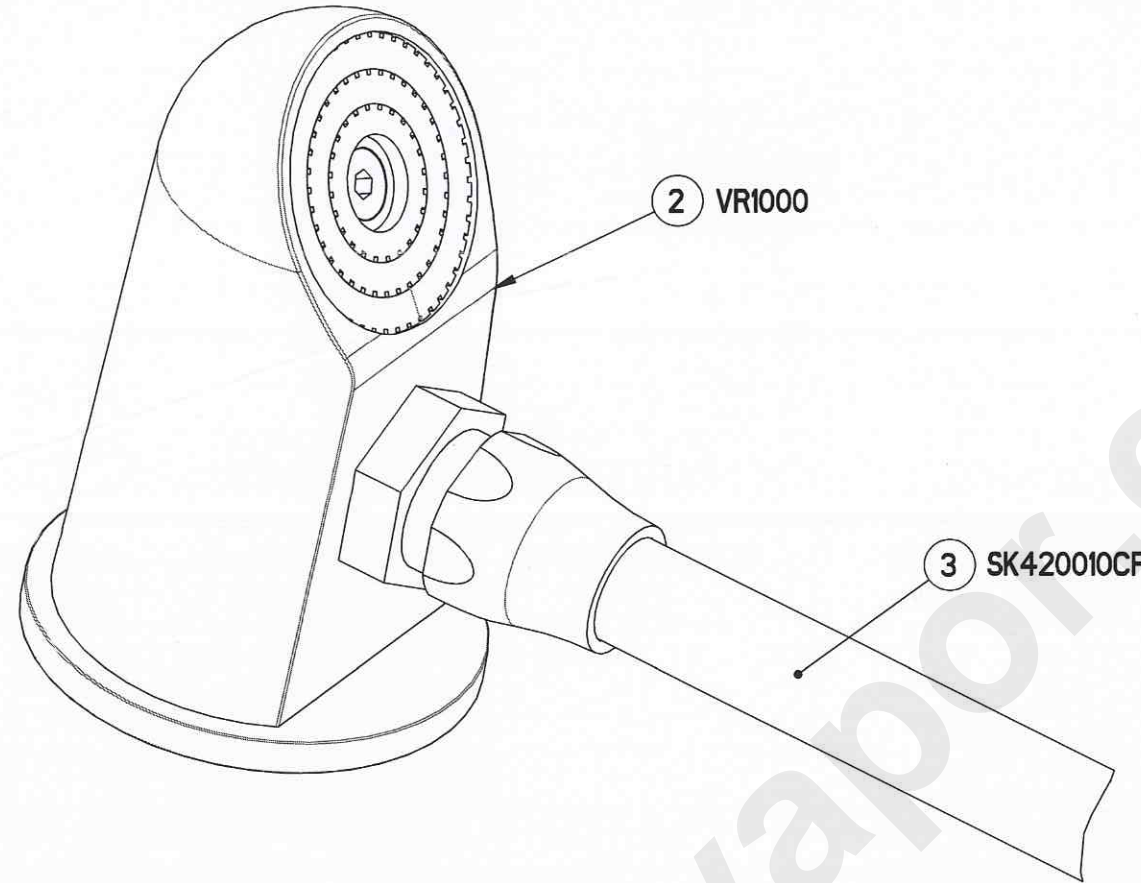


| DRW POSN No. | PART No. | PART DESCRIPTION |
|--------------|-------------|---------------------------------|
| 1 | SK1004-1 | SEAL KIT INCLUDING SHOWER RINGS |
| 2 | VR1000 | VR SHOWER HEAD |
| 3 | SK420010CP | RISER PIPE |
| 4 | SKTUF100ECP | TIMED URINAL FLUSH |



MEFC-PAK (R2)

