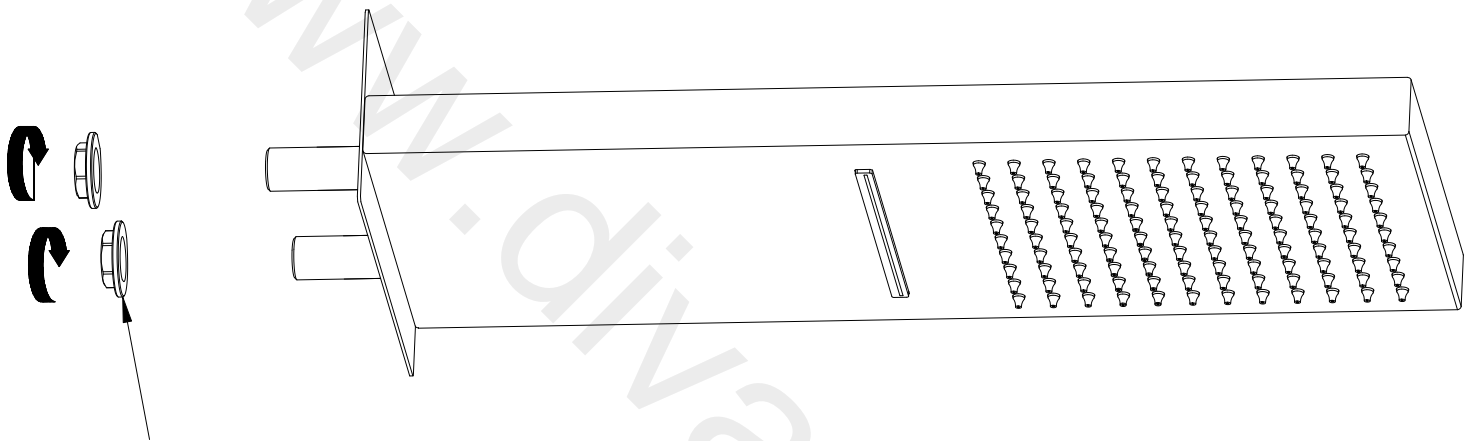
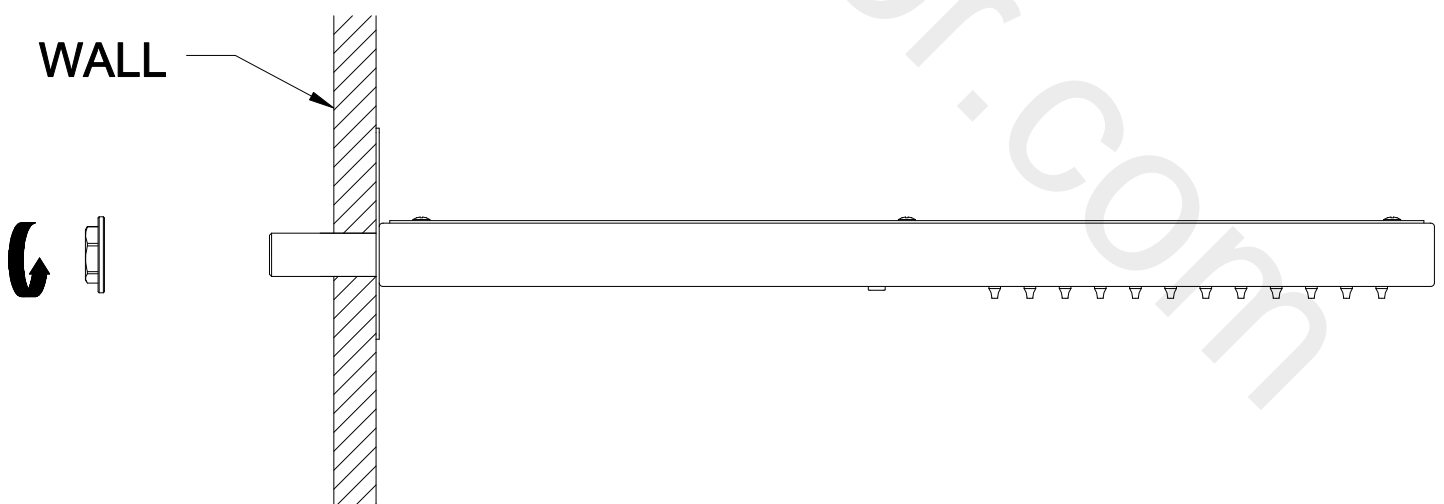


1. Please drill two holes on the wall.



2. Please release these two $G\frac{1}{2}$ " backnuts as arrow direction.



3. Fix the two inlets through the wall. Tighten the backnuts and connect the hoses.