

Non Concussive Basin Mounted Push Taps

inta taps used as
water economy
device operate **for
a period of time**
and then closes
automatically



multi directional basin
mounted tap (single)
NC200CP

Introduction

The Inta range of wall and basin mounted push taps is designed for use with our range of thermostatic mixing valves. With manual operation the tap functions for a period of time and then closes automatically. This operation makes the tap ideal for use in unsupervised areas such as sports changing rooms and washrooms. It is also perfect for use as a water economy device. The simple operation of the push tap enables users with limited mobility to use the facility.

Available in standard and contemporary styles the push tap is safe, reliable and reflects the quality of the intatec range of total washroom solutions.

- Simple operation
- Closes automatically
- Water economy
- Non concussive operation
- 2ltr, 4ltr and 5ltr flow regulator options available
- WEPLS accredited (NC200CP05)

Product Range

Description	Code
multi directional basin mounted tap (single)	NC200CP
multi directional basin mounted taps (single) WEPLS - 5ltr per minute	NC200 CP05

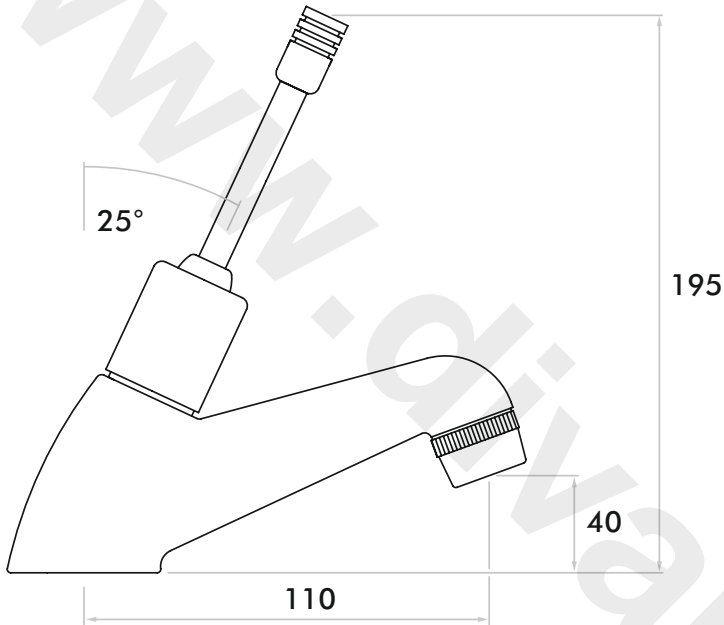


Non Concussive Basin Mounted Push Taps

Features

Technical Specification

Max Inlet Pressure	10 Bar
Min Inlet Pressure	0.1 Bar
Max Inlet Temperature	65°C
Timed flow (standard)	15 seconds at 1 bar



Flow Rates (Litres per minute)

