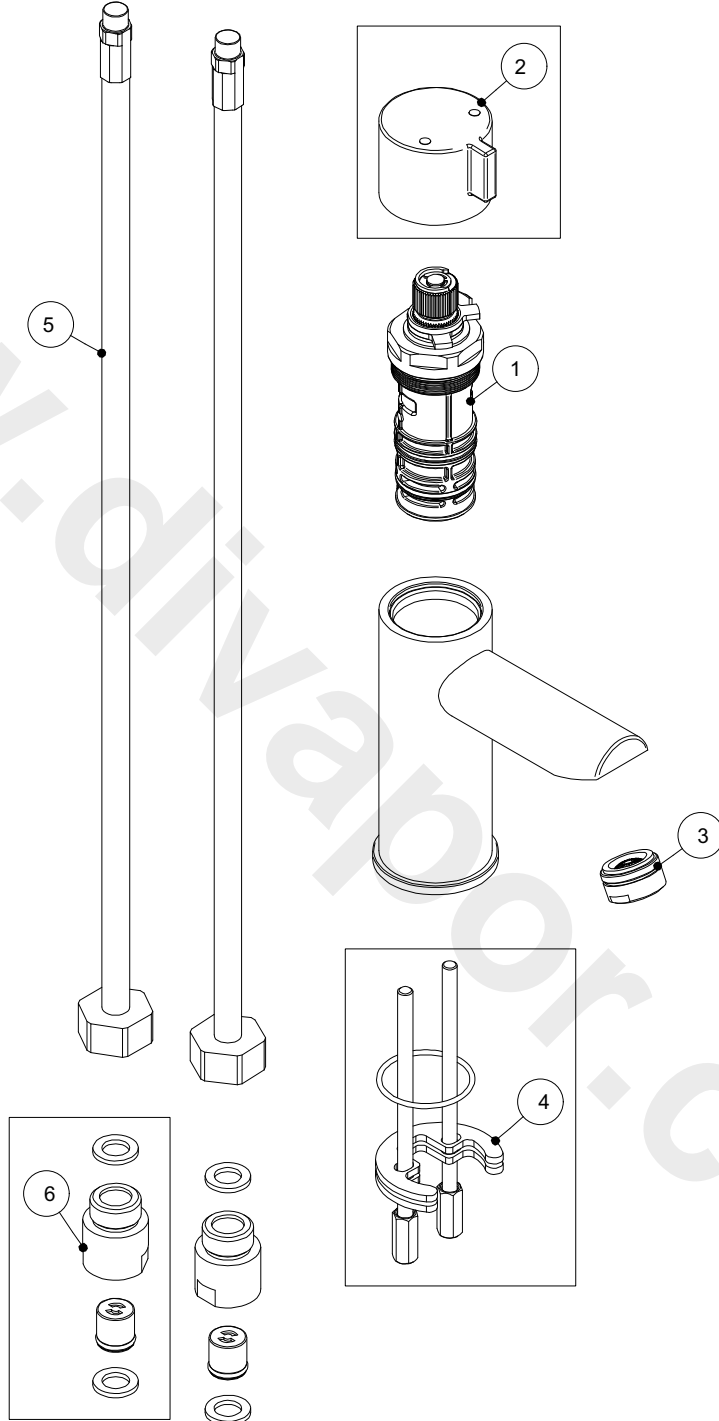





ELEMENT	QTY	PART NUMBER	DESCRIPTION
1	1	NC25XXX	THERMOSTATIC NON-CONCUSSIVE CARTRIDGE
2	1	NC251XXX	COMPLETE HANDLE
3	1	NC252XXX	24X1 NOZZLE
4	1	NC253XXX	FIXING KIT
5	2	NC254XXX	FLEXIBLE HOSE INOX DN6 45cm 1/2"F-10X1M
6	2	NC254XXX	COMPLETE NON-RETURN VALVE FITTING



SCALE: NTS	PAGE :1 /1	
SURFACE TREATMENT:		
MATERIAL:	UNQUOTED SPOKES : R 0.3	
WEIGHT:	UNQUOTED BEVELS : 0.5x45	
DESCR.:	GENERAL TOLERANCE: 0.1	
THERMOSTATIC BASIN MIXER WITH SELF CLOSING CARTRIDGE	SURFACE FINISH	
DATE: 09-03-21	DESIGN: James H	VER:
		DRAWING NO:
		CODE:

REVISION	DATE	DESIGN	VERIFICATION