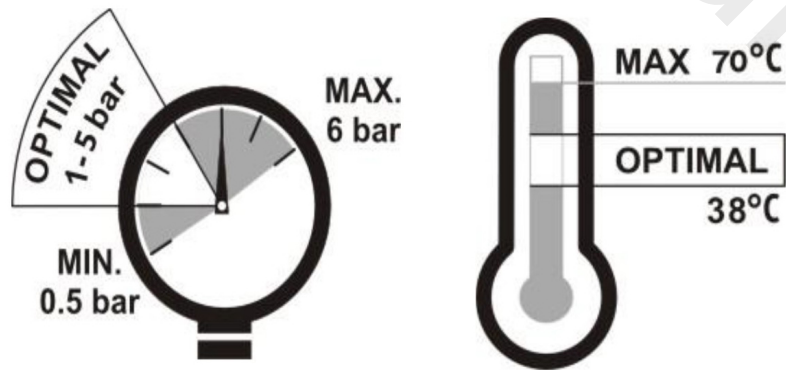


DEAR CUSTOMER:

Thank you for choosing our product, please read this manual carefully before assembling or using the product to avoid damage caused by improper use. If the product is passed on to third parties, this manual has to be passed on along with the product.

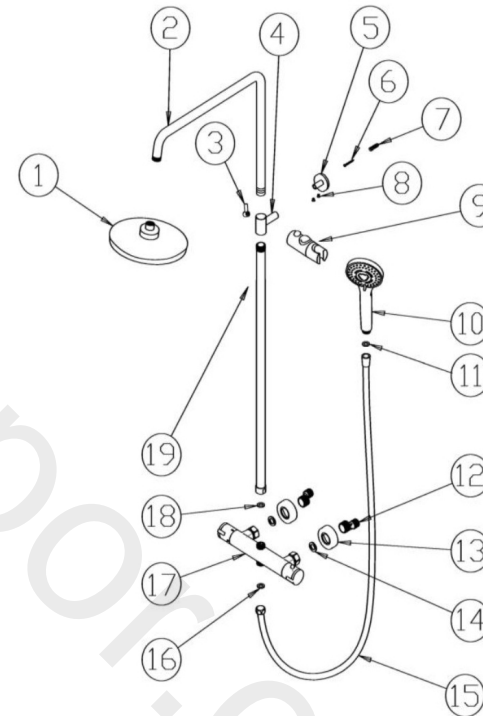
WORKING PRESSURE & TEMPERATURE FOR THERMOSTATIC FAUCET



1. Working pressure: 0.5-6 bar
2. Optimal pressure: 1-5 bar
3. The supply of Cold water temperature: 4-25°C, the supply of hot water temperature 55-70°C
4. Normal condition temperature: 20-50°C, the optimal temperature: 38°C
5. Applicable standard: EN1111-2017, CAS B125-98, ASSE1016, AS-4032.1, QB2806-2006

SPECIFICATION

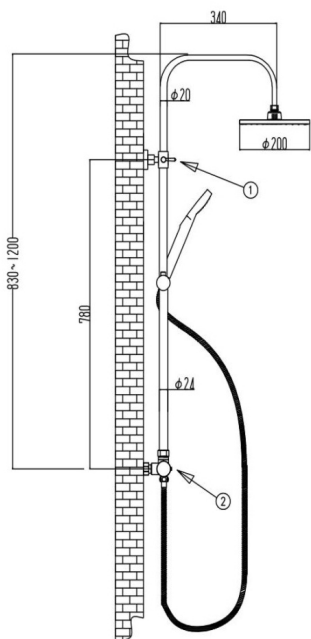
ROUND SHOWER COLUMN WITH ADJUSTABLE HEIGHT



- ① Round shower head
- ② Upper shower tube
- ③ Metal handle to adjust the height of the shower tube
- ④ The Joint for up and down tube
- ⑤ ⑥ ⑦ ⑧ The fixing wall base with Screw
- ⑨ Shower holder (Shower slide)
- ⑩ Hand shower
- ⑪ Gasket for Hand Shower
- ⑫ S.S 304 or brass Connector
- ⑬ Round wall cover
- ⑭ Gasket for Faucet
- ⑮ Shower hose
- ⑯ Gasket for shower hose
- ⑰ Thermostatic faucet or normal shower faucet
- ⑱ O-ring for shower tube
- ⑲ Under shower tube

INSTALLATION DIMENSION

ROUND SHOWER COLUMN WITH ADJUSTABLE HEIGHT

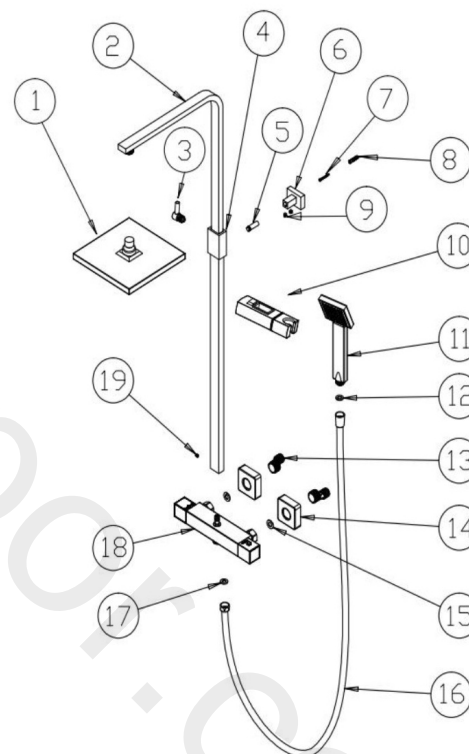


ASSEMBLY STEPS

1. Mark out the size of the fixing wall base on the wall according to the installed hole of the faucet ① and refer to left plan
2. Assemble the whole shower column to compare all size on the wall and adjust appropriate height for the shower tube
3. Burrow in the wall for the fixing wall base, install the fixing wall base with screw ①
4. Install the faucet ②
 - Flush the pipeline & no any dirt in pipeline
 - Bind the G1/2 Side of the connector by the PTFE Tape
 - Install the connector in the joints of the pipeline and adjust the demenstion of the connectors
 - Put the wall cover on the connectors
 - Put gasket in hexagonalnut of the faucet
 - Fix the faucet on connector, Faucet connection:warm-left/ cold -right
5. Connect whole shower tube with Shower slide
6. Connect the shower hose with hand shower
7. Connect the shower head

SPECIFICATION

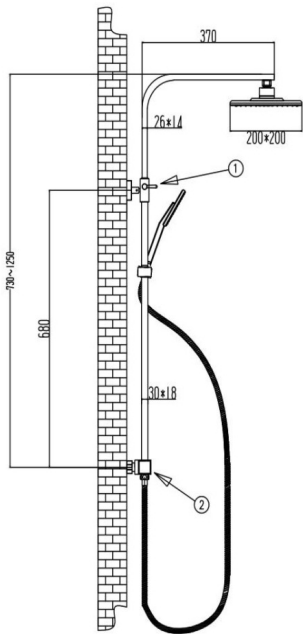
SQUARE SHOWER COLUMN WITH ADJUSTABLE HEIGHT



- ① Square shower head
- ② Square shower tube
- ③ Metal handle to adjust the height of the shower tube
- ④ The Joint for up and down tube
- ⑤ ⑥ ⑦ ⑧ ⑨ The fixing wall base with Screw
- ⑩ Shower holder(Shower slide)
- ⑪ Hand shower
- ⑫ Gasket for Hand Shower
- ⑬ S.S 304 or brass Connector
- ⑭ Square wall cover
- ⑮ Gasket for Faucet
- ⑯ Shower hose
- ⑰ Gasket for shower hose
- ⑱ Thermostatic faucet or normorl shower faucet
- ⑲ Screw for shower tube

INSTALLATION DIMENSION

SQUARE SHOWER COLUMN WITH ADJUSTABLE HEIGHT



ASSEMBLY STEP

1. Mark out the size of the fixing wall base on the wall according to the installed hole of the faucet ① and refer to left plan
2. Assemble the whole shower column to compare all size on the wall, and adjust appropriate height for the shower tube
3. Burrow in the wall for the fixing wall base, install the fixing wall base with screw ①
4. Install the faucet ②
 - Flush the pipeline & no any dirt in pipeline
 - Bind the G1/2 Side of the connector by the PTFE Tape
 - Install the connector in the joints of the pipeline and adjust the demension of the connectors
 - Put the wall cover on the connector
5. Connect whole shower tube with Shower slide and adjust the shower tube for proper height
6. Connect the shower hose with hand shower
7. Connect the shower head

SAFTY INSTRUCTIONS



Read the instruction manual completely and carefully before assembling or using the product to avoid personal injury or property damage. Pay special attention to the safety instructions

SAFTY INSTRUCTIONS FOR THE INSTALLATION:

- Make sure that there is no any dirt in your pipeline system before installing the faucet to prevent dirt from entering the faucet
- Make sure all the pipelines for connecting the faucet are shut off from the water supply during the whole installation process to avoid damages
- Only install the faucet over a properly functioning drain
- The faucet has to be assembled properly to avoid failures in function. Pay special attention to seals to avoid the escape of water and other damages

CHECK THE PROPER FUNCTION OF THE FAUCET AFTER THE INSTALLATION

- Reopen the water supply for the faucet. Set left handle to hand shower and right handle to "cold" and turn on the faucet.
 - Set right handle to hot (press down the button). Keep your fingers away from the faucet and the water to avoid burning or scalding yourself
 - Set left & right the handle to original location
 - Turn off the faucet and check the whole faucet for leaking water. Pay particular attention to the part of the faucet which is located on the wall. Be careful with the shower hose and shower tube.
- If you find a leak or if water escapes during the testing process, turn off the faucet immediately and shut off from the water supply. Do not reconnect the faucet until you find the failure

SAFTY INSTRUCTIONS FOR THE INSTALLATION:

- Never clean the faucet and other accessories with scratching or scouring items, abrasives or acid. Use a soft cloth and cleaning agent for chrome surface
- Protect the faucet from frost. If water freezes in the faucet it can be damaged, only suitable for use in rooms with temperature over 0°C, when there is danger of frost, shut off the water supply and empty the faucet