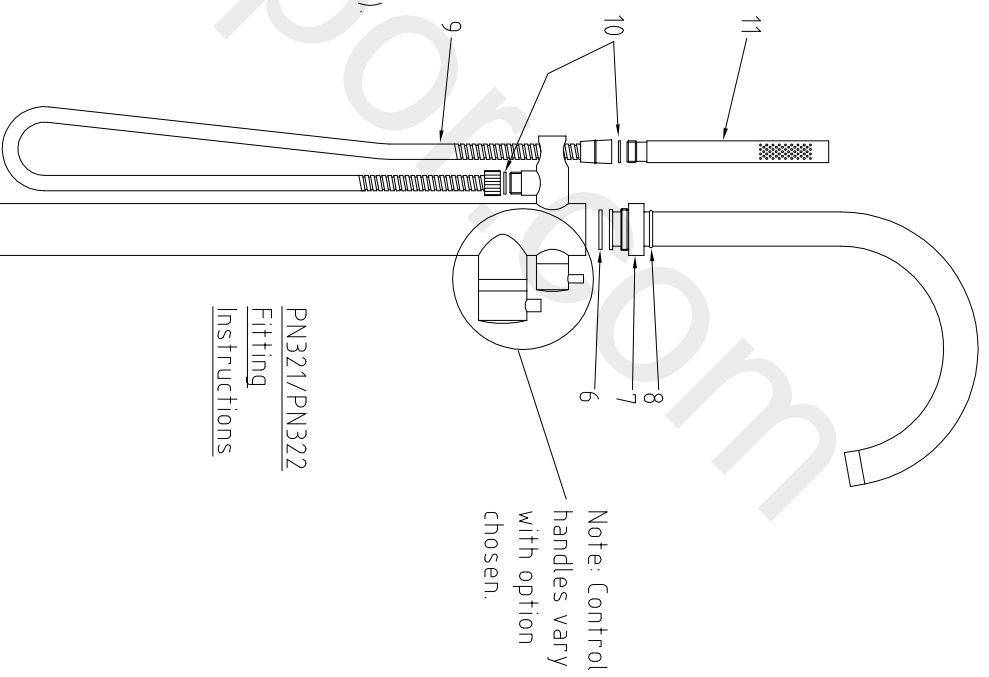


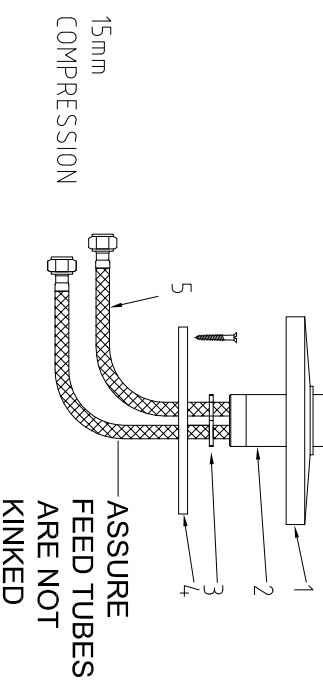
Fitting instructions

1. Prepare circular hole in floor 100mm (4") minimum, 150mm (6") maximum, 75mm (3") deep.
2. Push the decorative cover (1) onto the lower portion of the upright tube (2), and screw the locknut (3) on to the thread as far as it will go.
3. Screw the mounting flange (4) onto the upright tube.
4. Tighten the locknut (3) on to the mounting flange (4).
5. Pass the feed pipes (5) through the hole in the floor and screw the mounting flange (4) to the floor.
6. Push the decorative cover (1) onto the floor.
7. Fit spout in top of upright tube (2)
8. Screw the collar (7) into the top of the tube (1), hand tightened only.
9. Remove the O ring (8) from the spout.
10. Fit the hose (9) to the outlet, and the handset (11) to the hose, ensuring sealing washers (10) are in place.
11. Connect the feed pipes to supply and check thoroughly for leaks



Note: Control handles vary with option chosen.

PN321/PN322 Fitting Instructions



Customer Care Helpline. 01282 446789