

Completion Concealed Box

Mounting Instructions

Pressure range min/max 0,5/5 bar
(in case of water pressure higher than 5 bar we recommend installing pressure reducers).

Recommended pressure 3 bar.

Operation:

Either with gas or electric accumulation boilers.

Centralised systems.

Safety lock at: 41° C

Min. Working temperature: 3° C

Min. recommended: 15° C

Max. Working temperature: 70° C

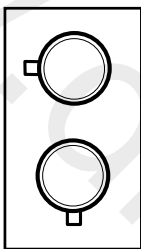
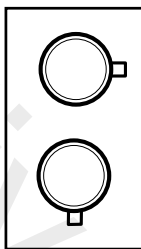
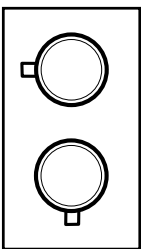
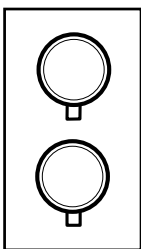
Max. recommended: 65° C

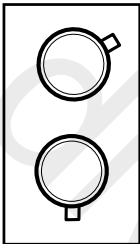
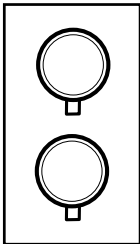
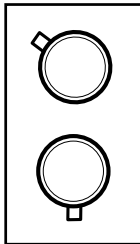
Recommended thermal differential 50° C

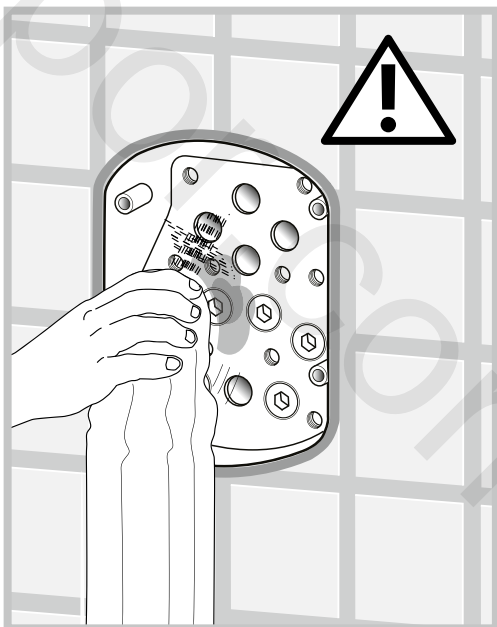
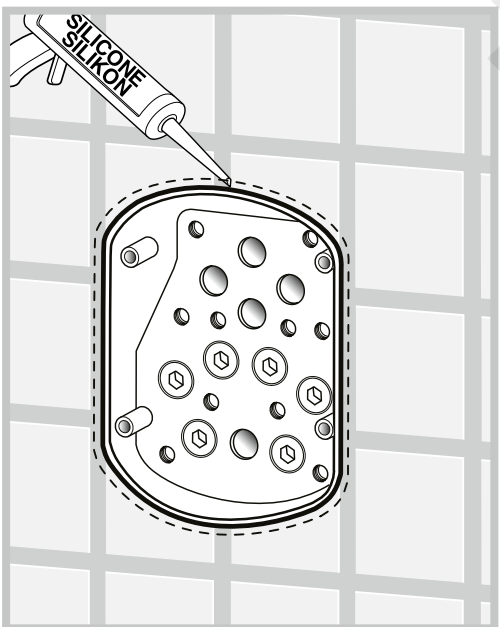
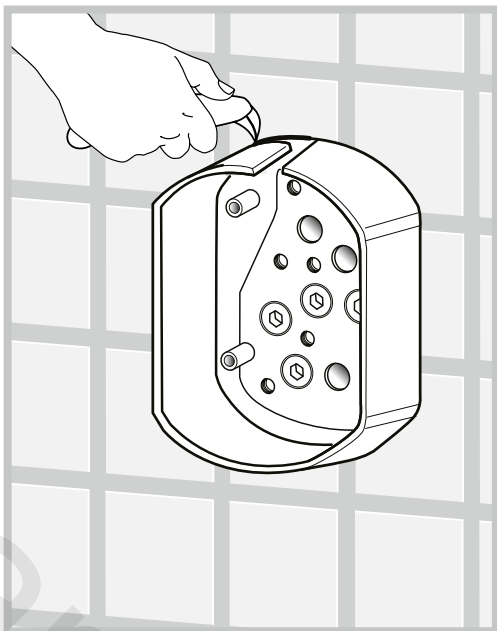
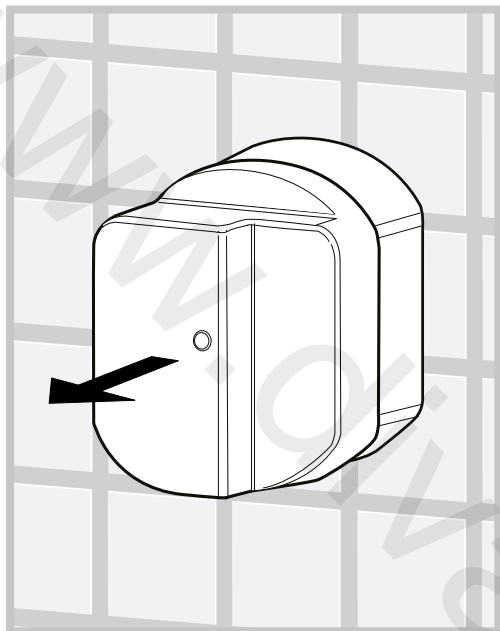
Thermal disinfection is allowed.

Safety system with flow stop in case of lack of one of the two waters.

Warning: contact the plumber for the choice of the best water heating device.

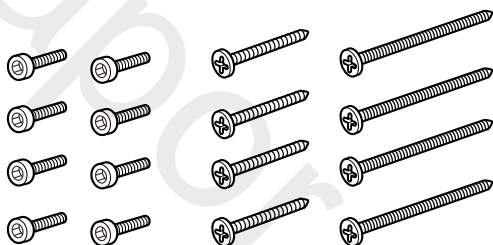
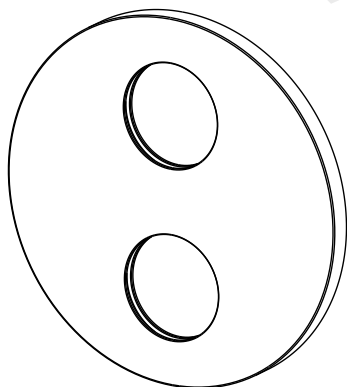
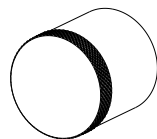
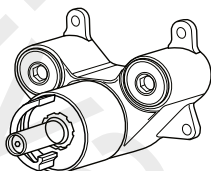
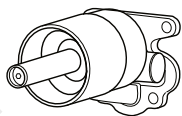
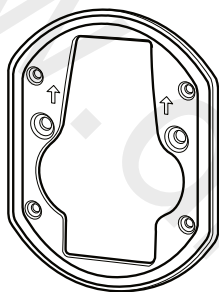
Press.	FLOW RATE (L/min)			
	Term. 1 way	Term. 2 way		
	 Exit 1/2/3	 Exit 2	 Exit 3	 Mix
bar				
0,5	8,2	8,2	8,2	9,2
1	11,7	11,7	11,7	13,2
2	16,7	16,4	16,4	18,7
3	20,7	20	20	22,9
4	24	23	23	26,4
5	26,6	25,8	25,8	29,5

Press.	FLOW RATE (L/min)		
	Term. 3 ways		
			
bar	Exit 1	Exit 2	Exit 3
0,5	9,4	8,1	8,1
1	13,4	11,6	11,6
2	19,2	16,6	16,6
3	23,7	20,5	20,5
4	27,4	23,8	23,8
5	30,5	26,6	26,6



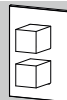


THERMOSTATIC 1-2-3 WAYS

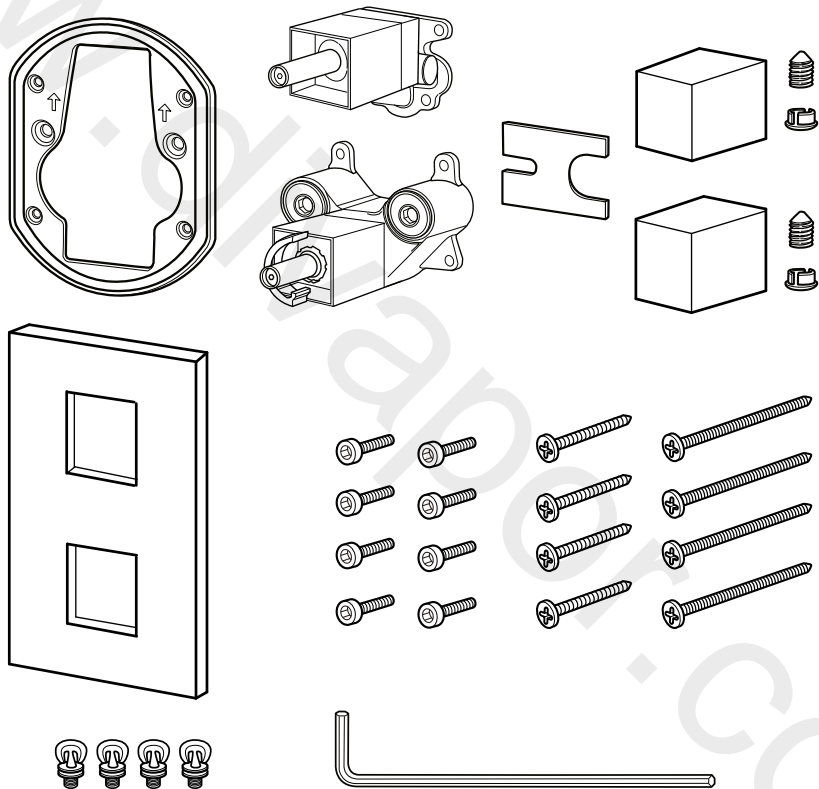


GB Mounting Instructions





THERMOSTATIC 1-2-3 WAYS

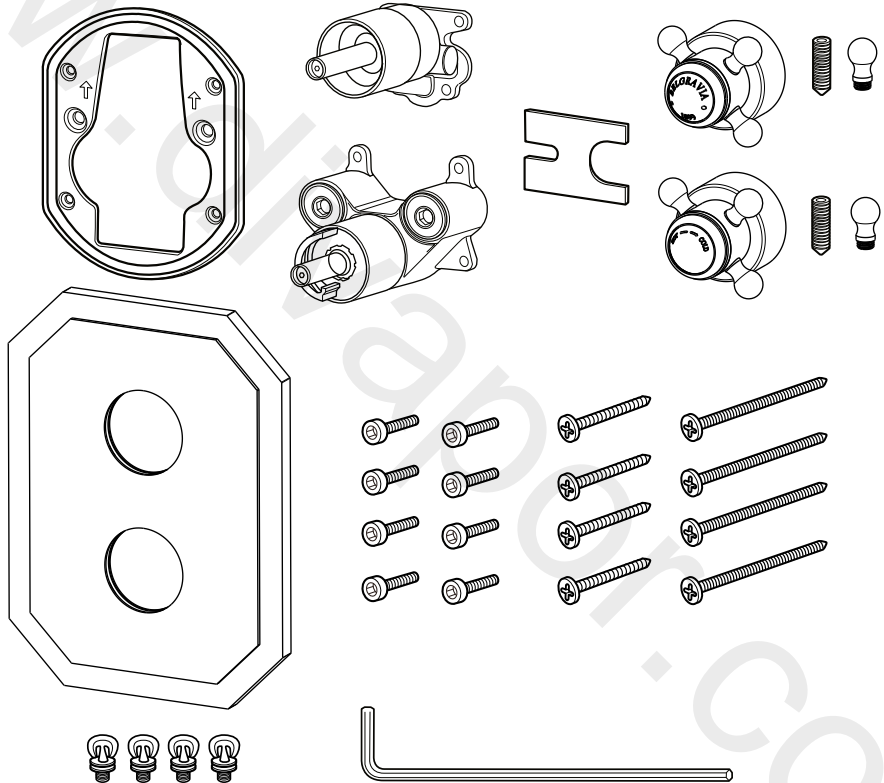


GB Mounting Instructions



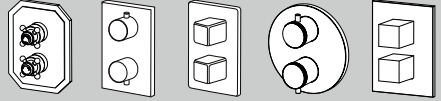


THERMOSTATIC 1-2-3 WAYS

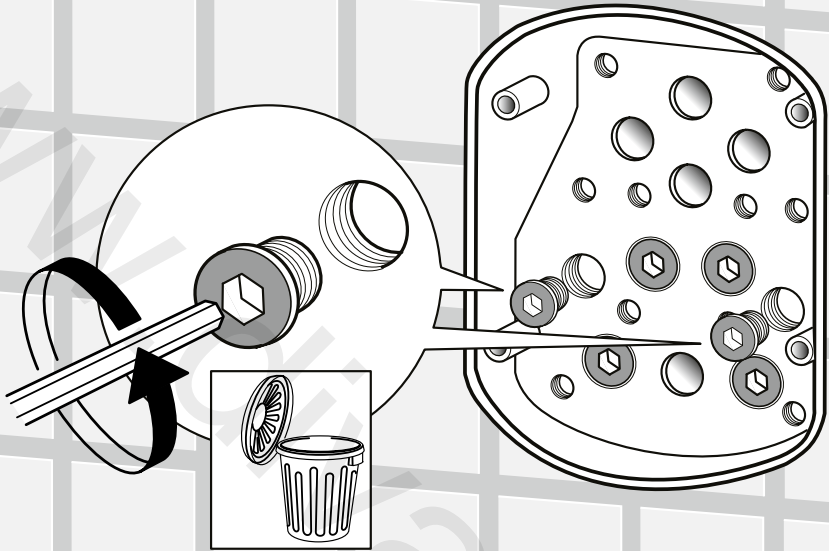


GB Mounting Instructions

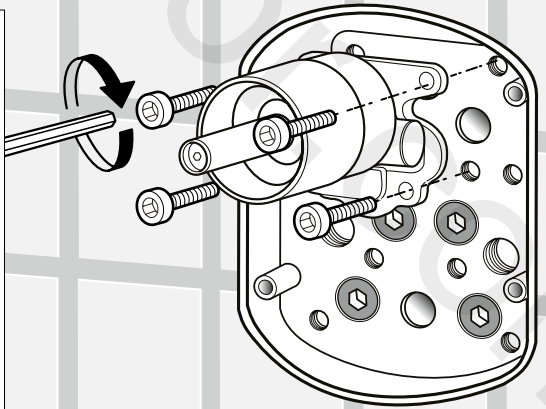
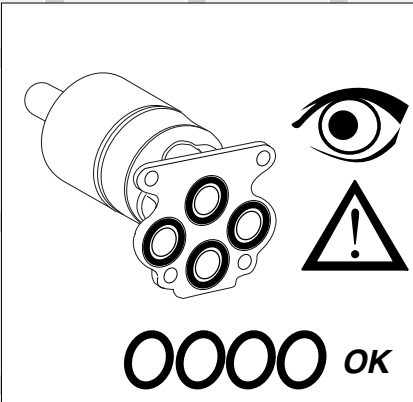


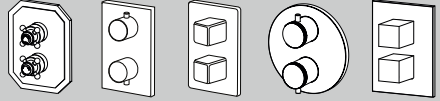


1

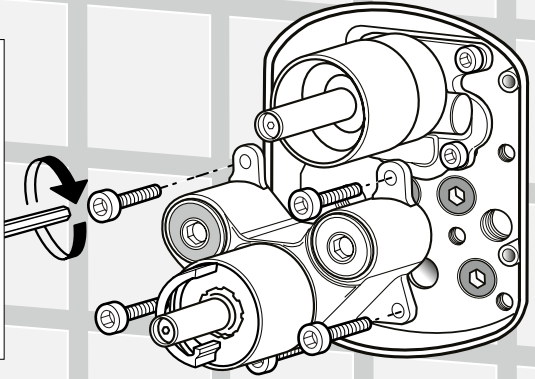
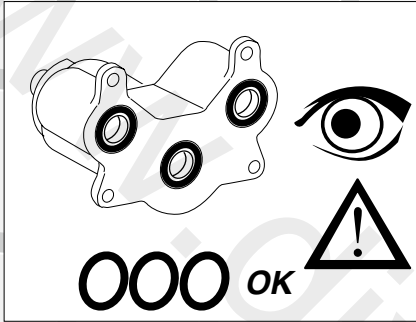


2

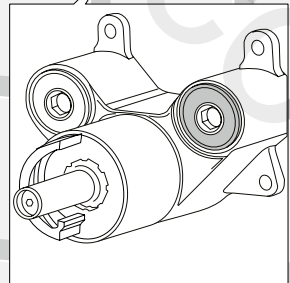
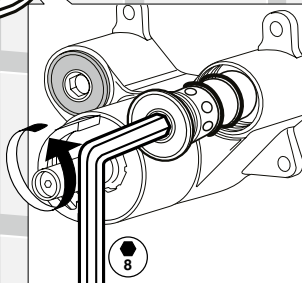
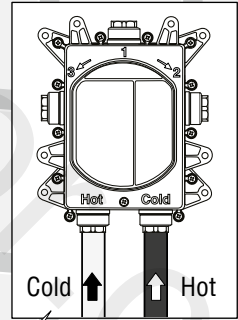
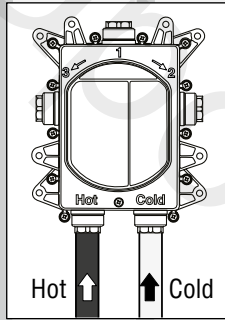
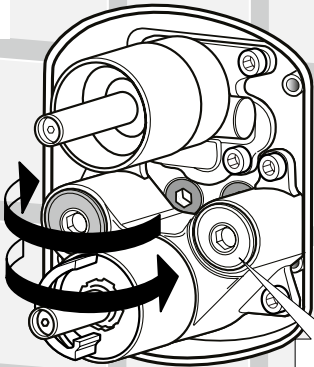


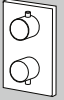


3

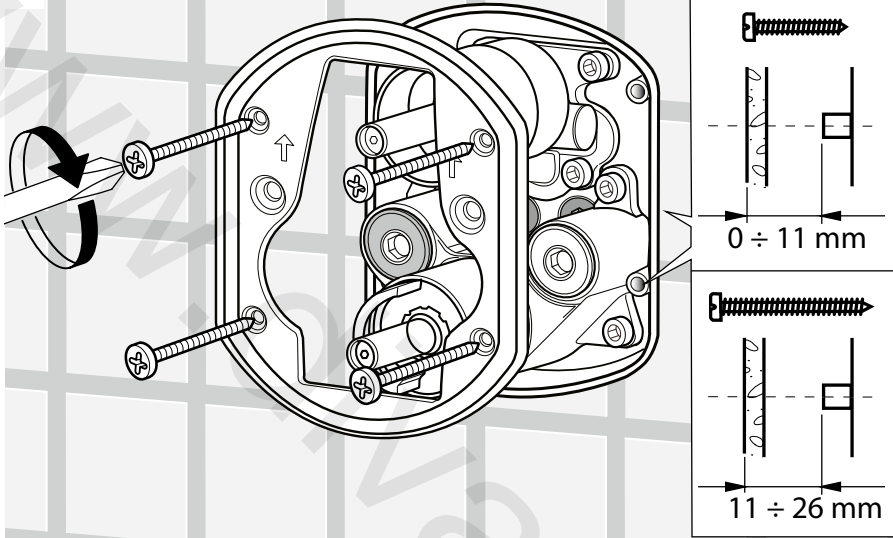


4

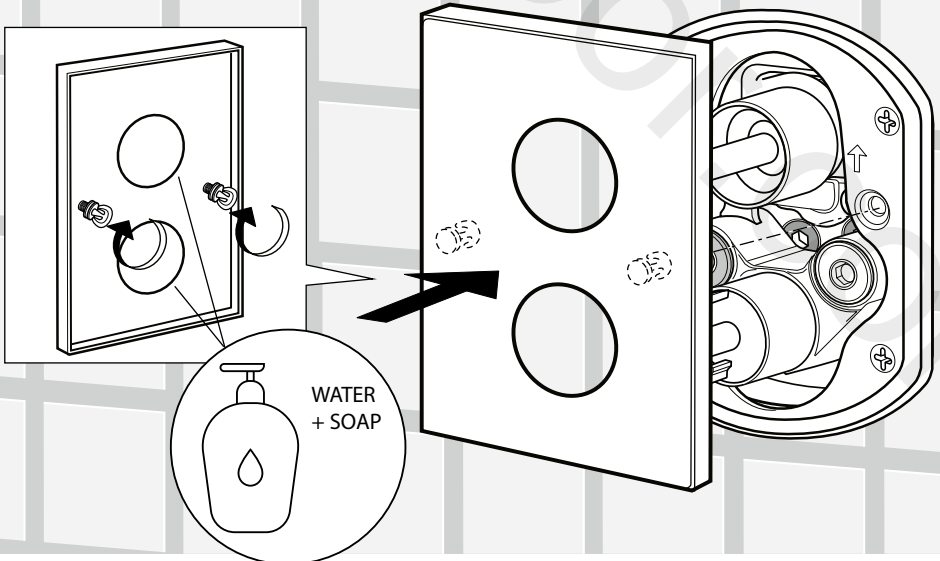


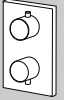


5

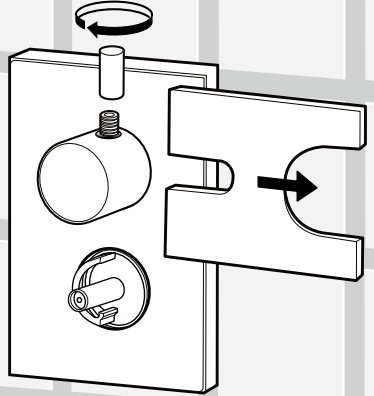
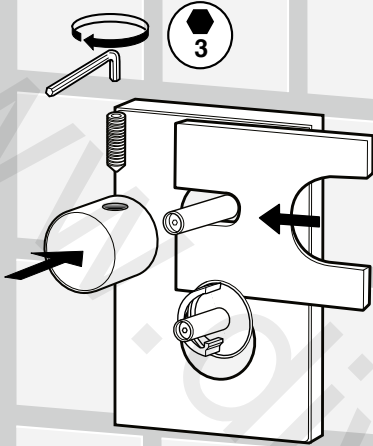


6A

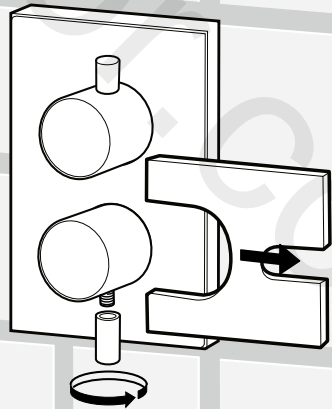
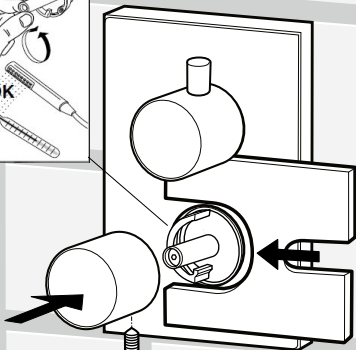


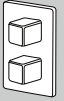


7A

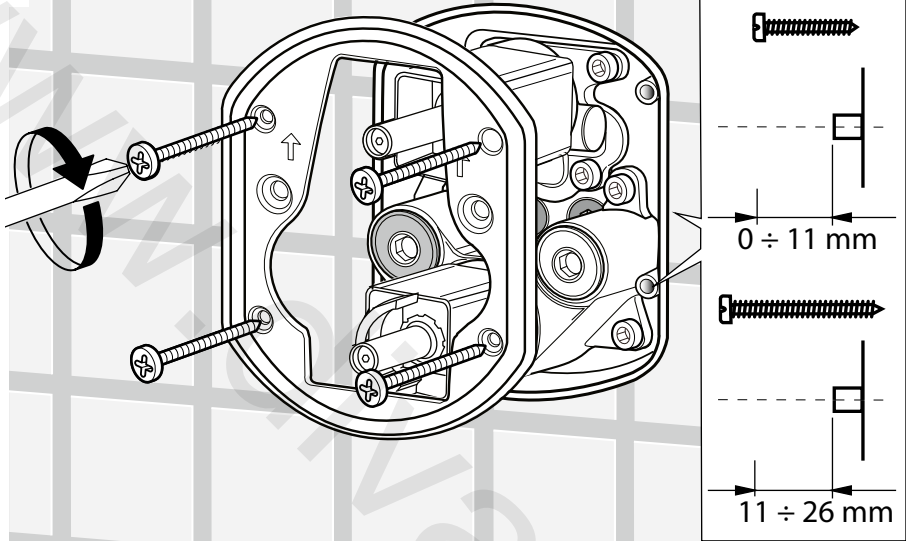


8A

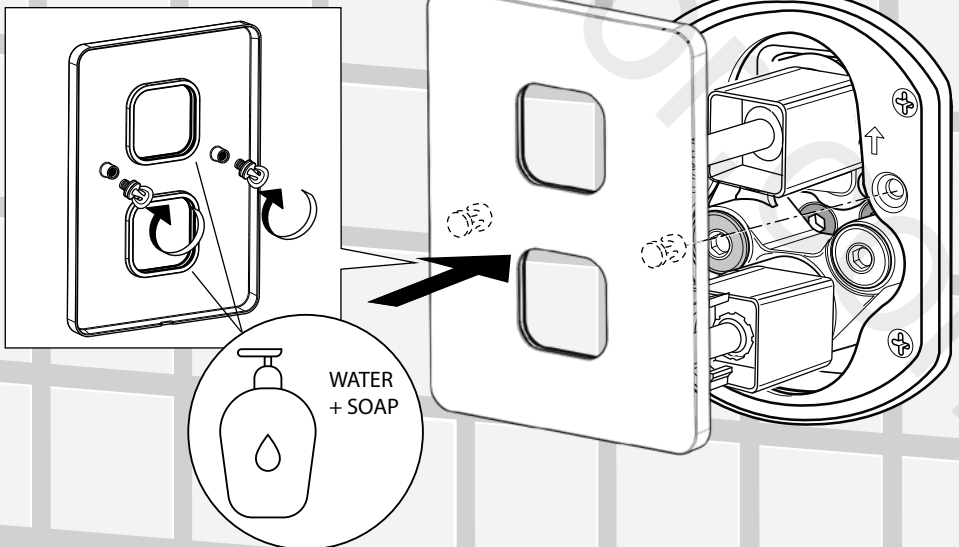


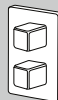


5

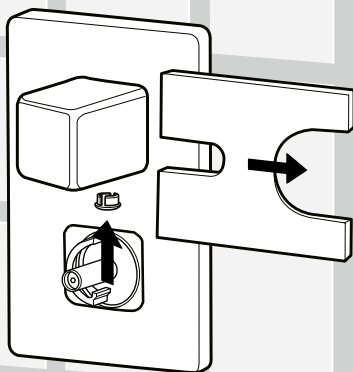
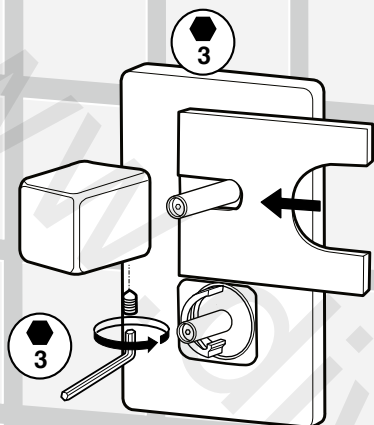


6B

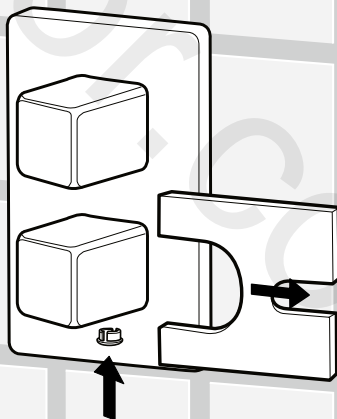
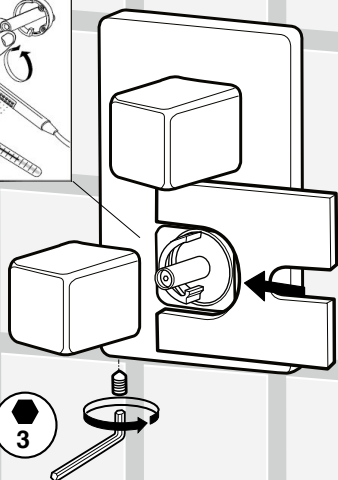




7B

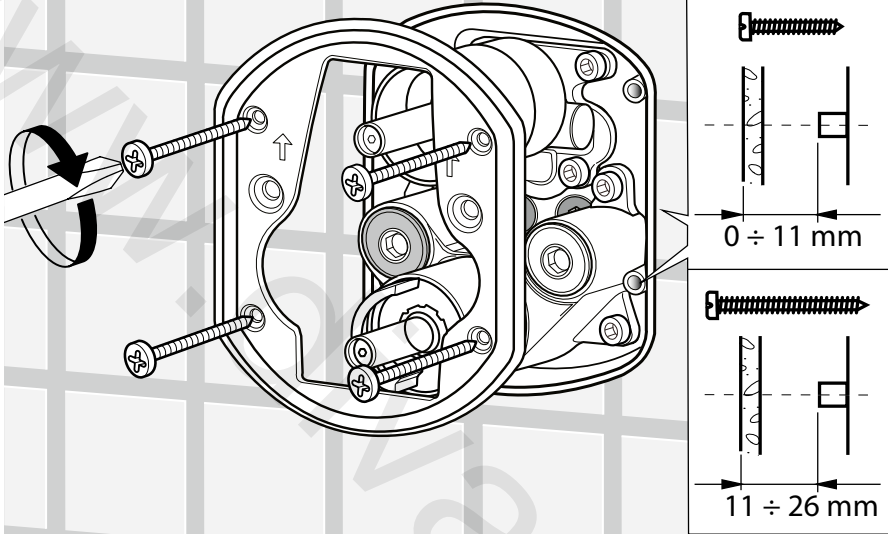


8B

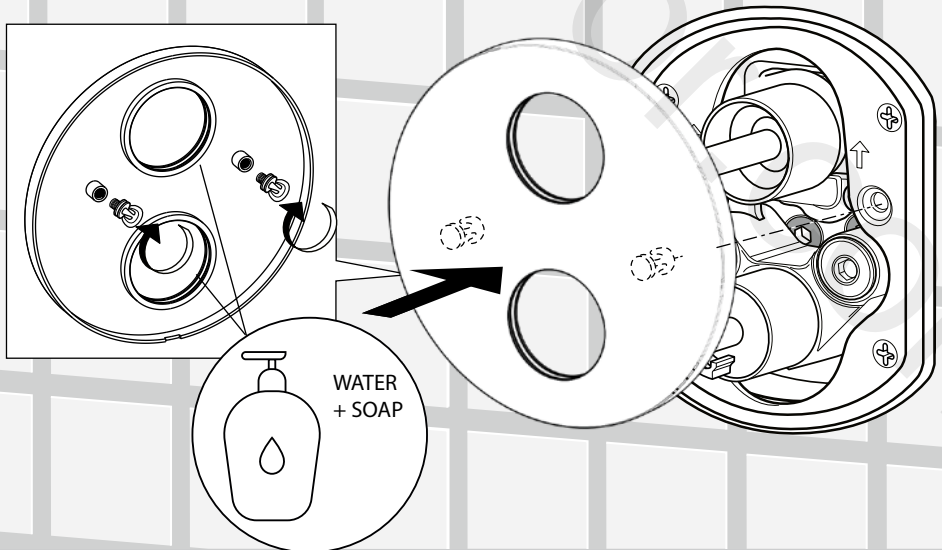




5

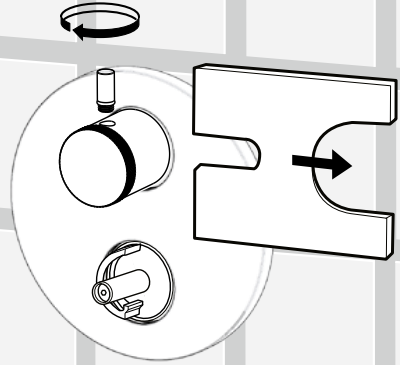
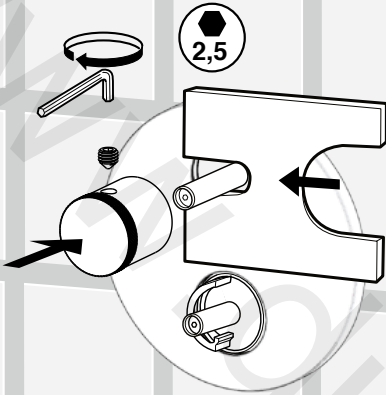


6C

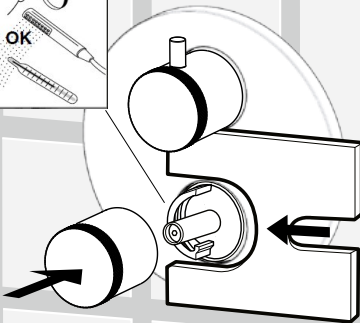




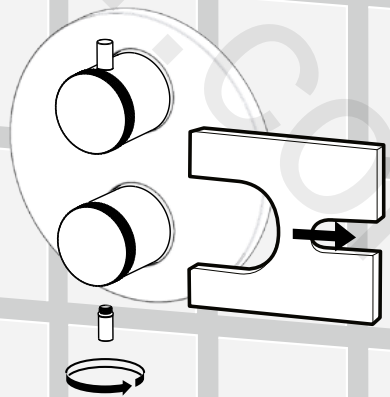
7C

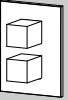


8C

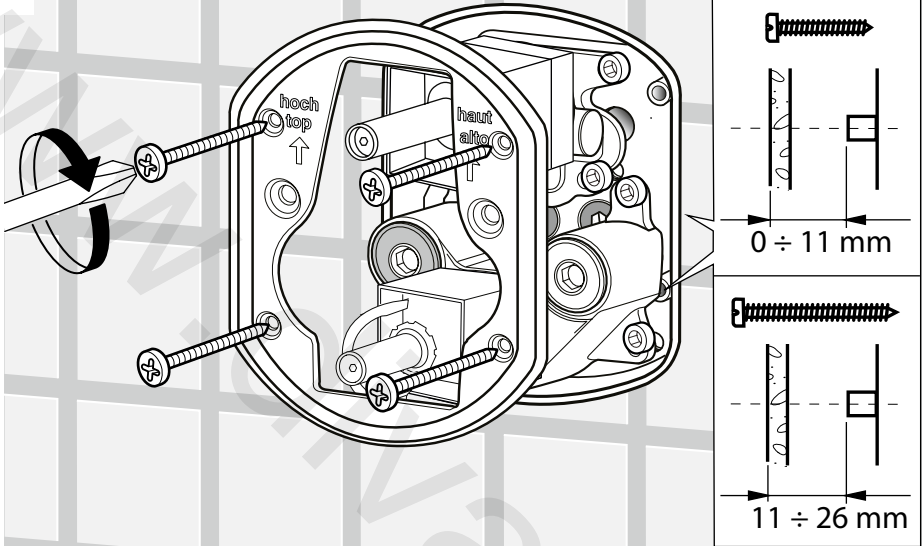


2,5

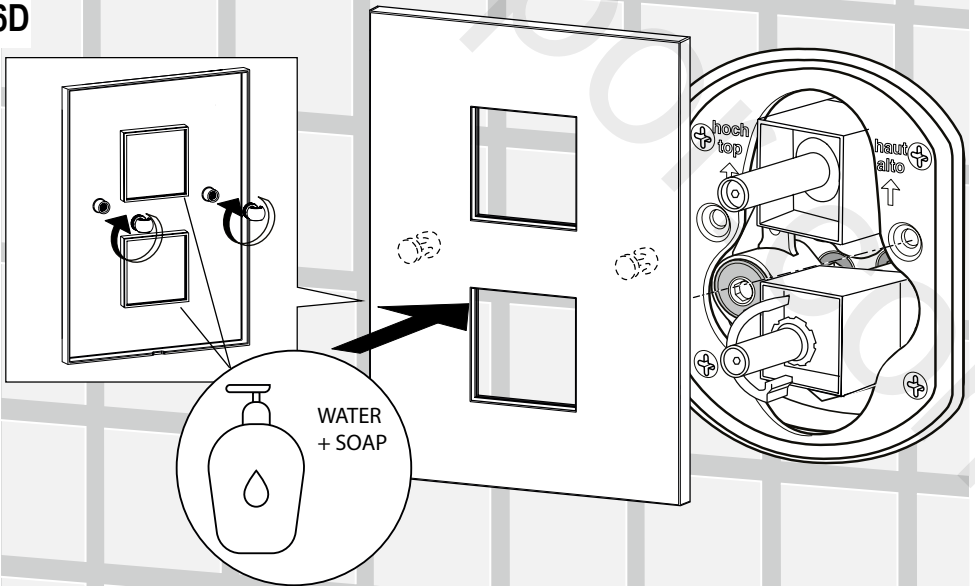


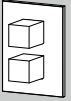


5

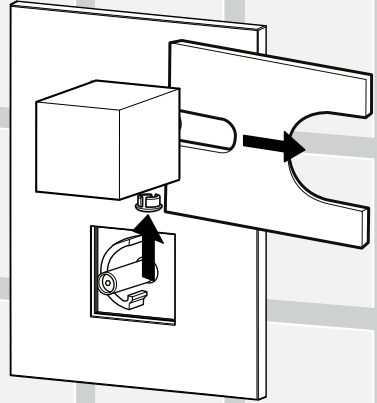
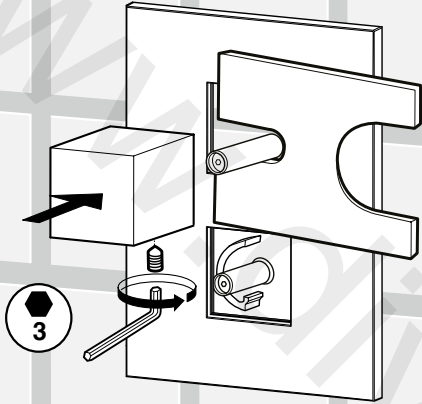


6D

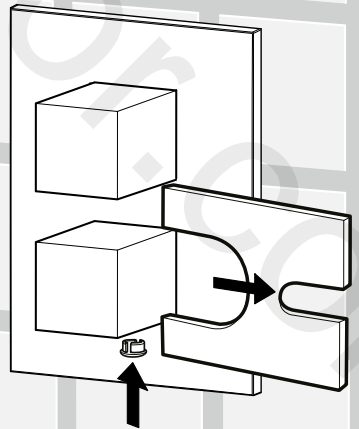
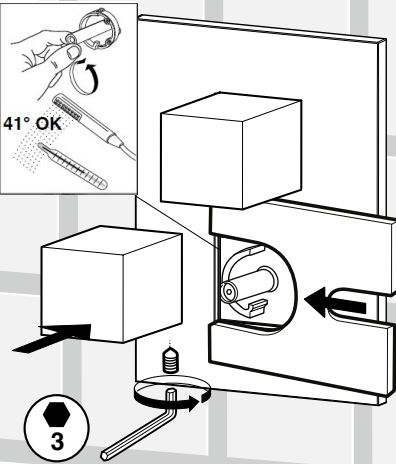




7D

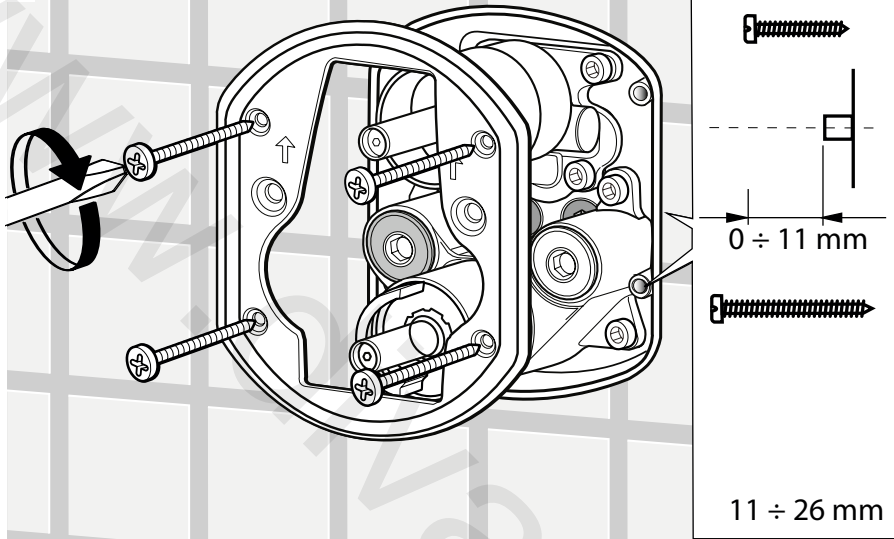


8D

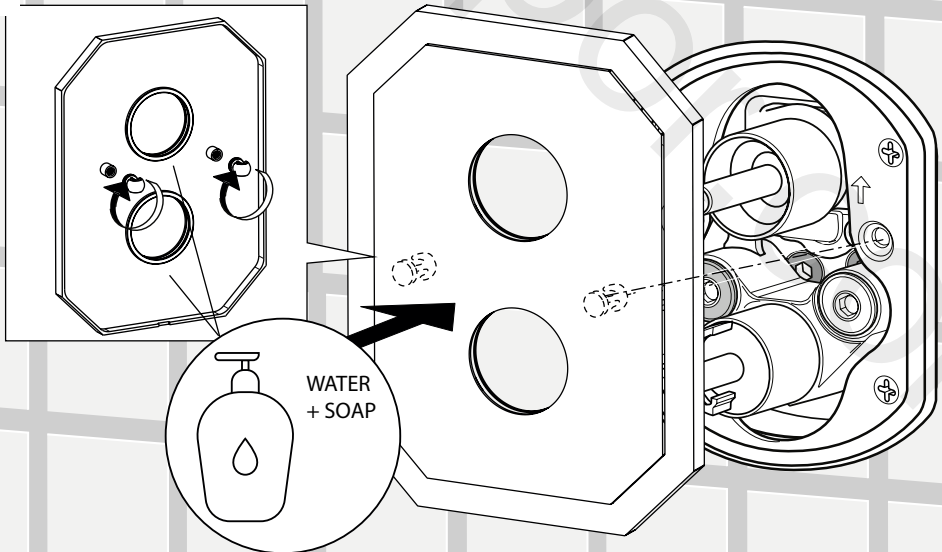




5

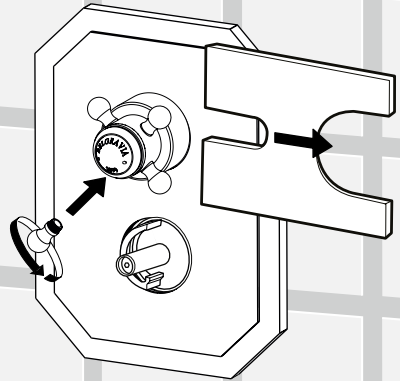
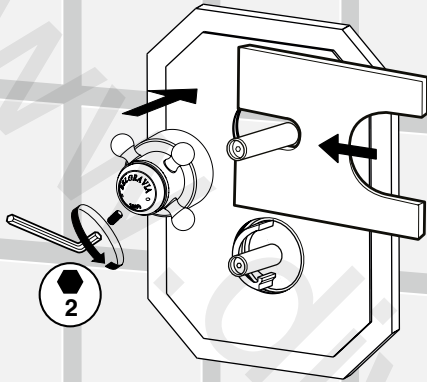


6E

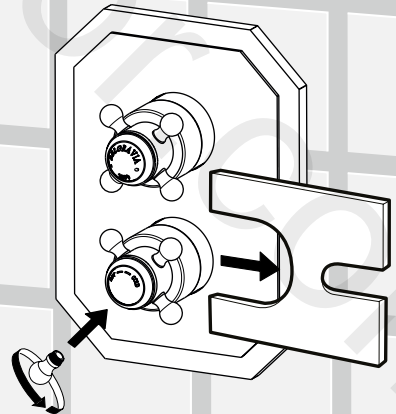
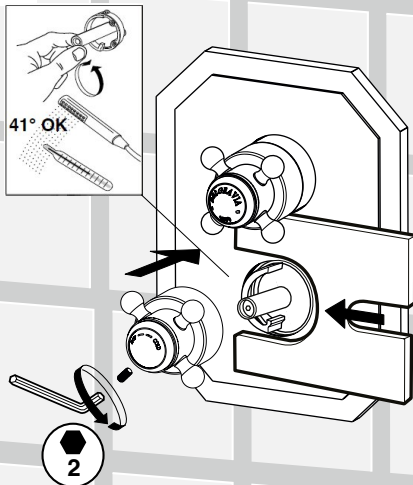


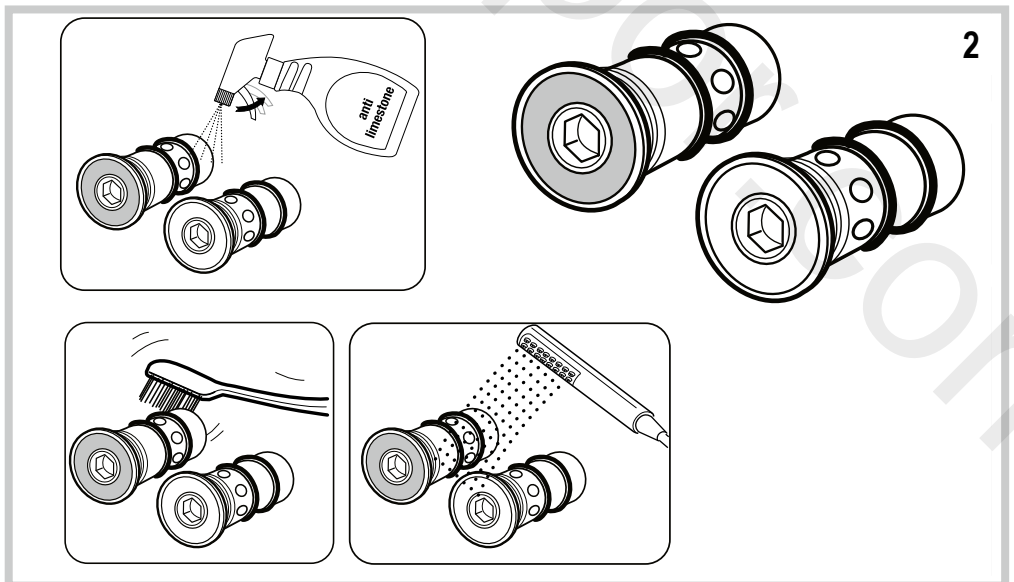
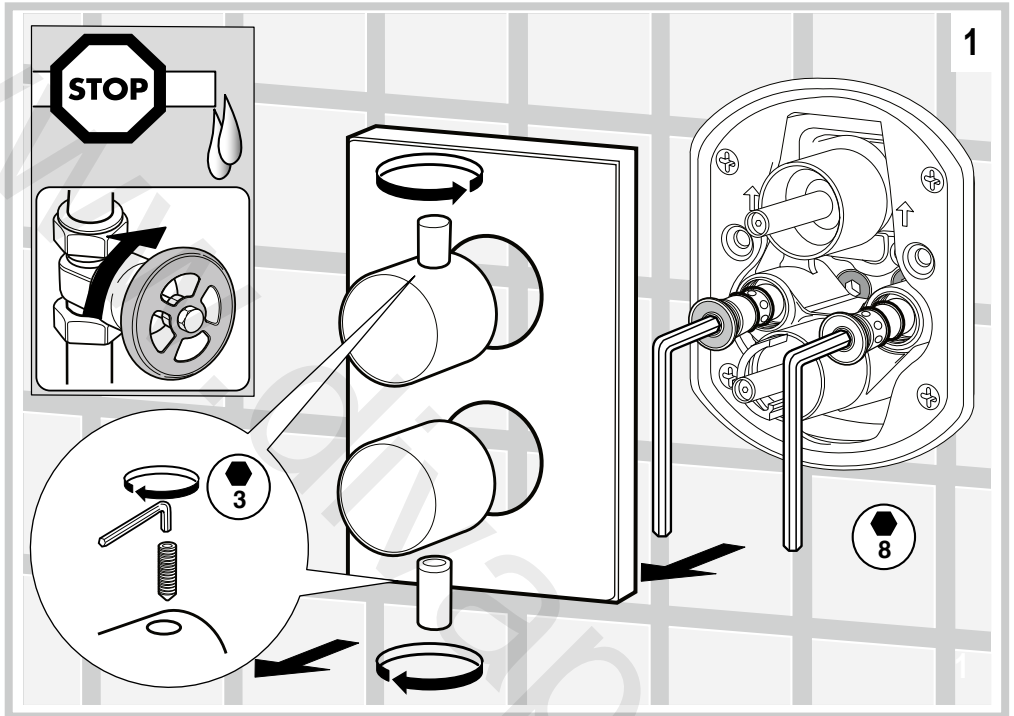
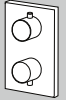


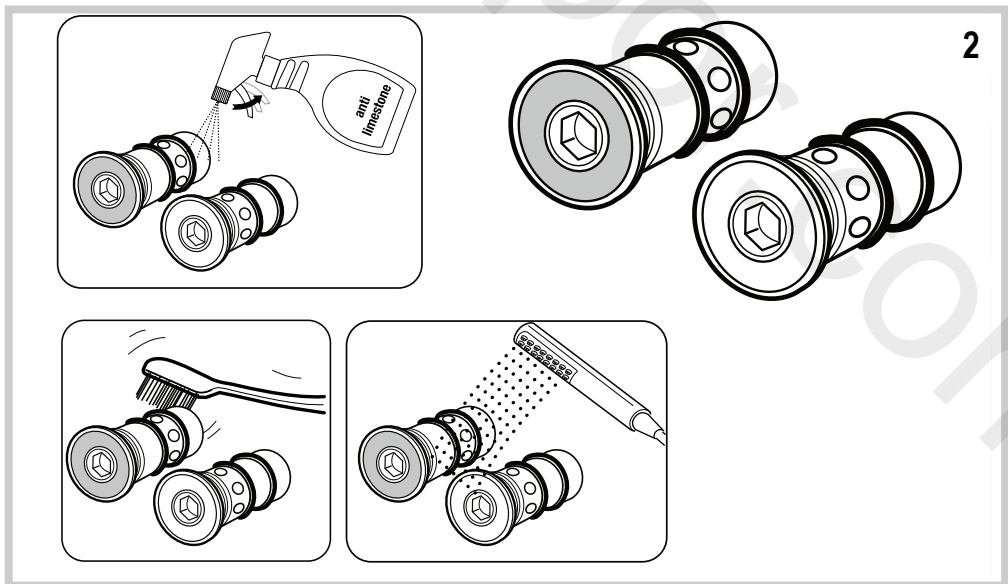
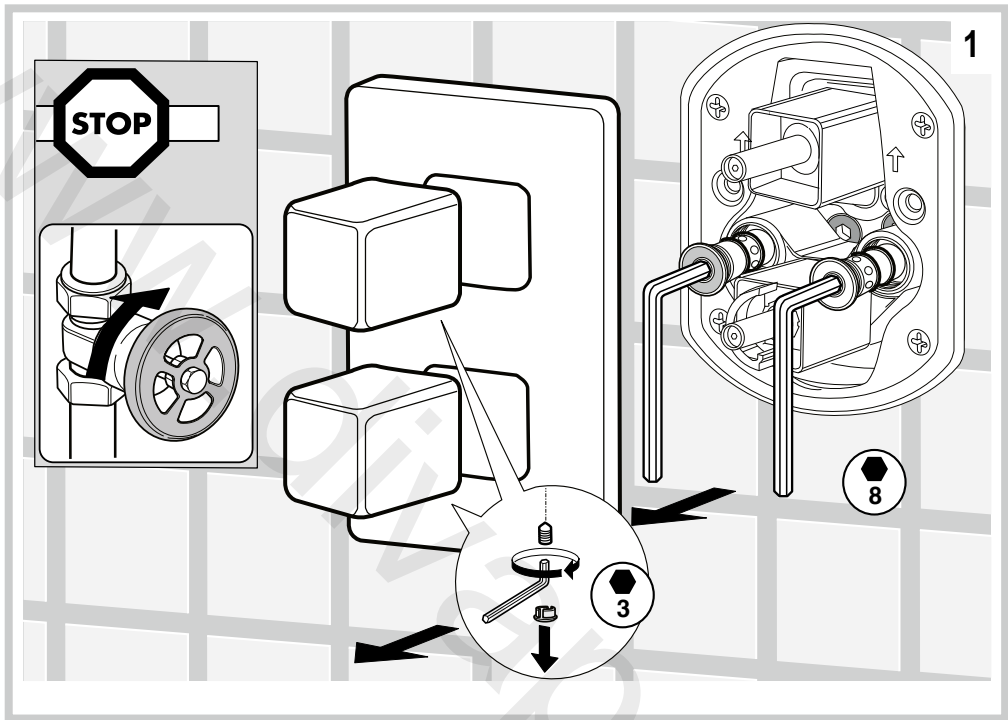
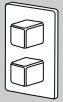
7E



8E

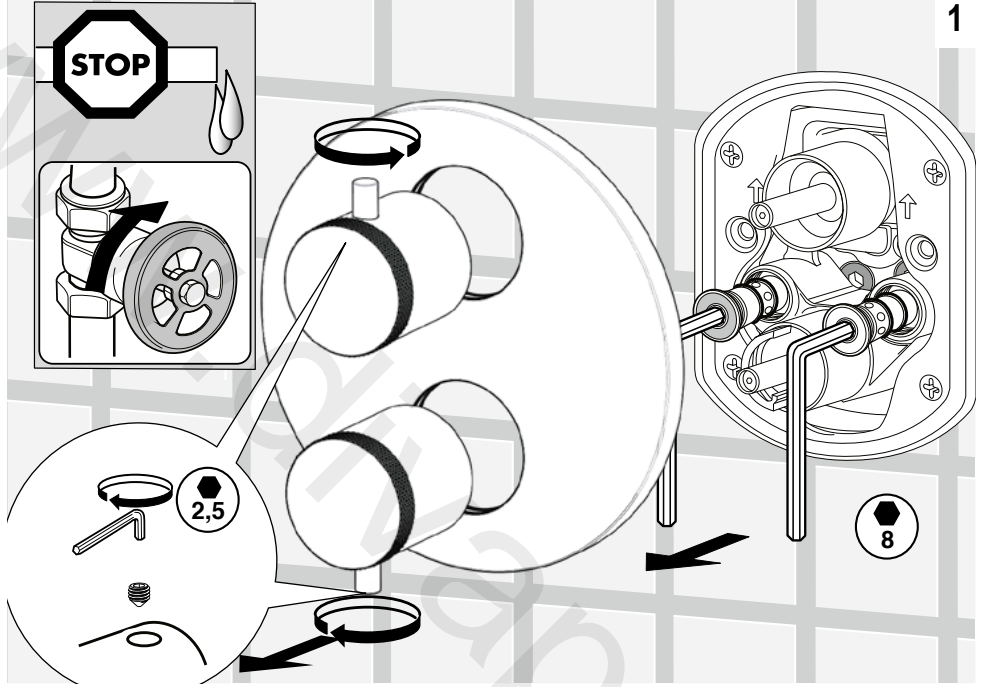




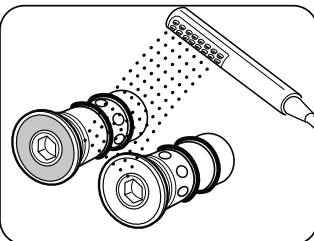
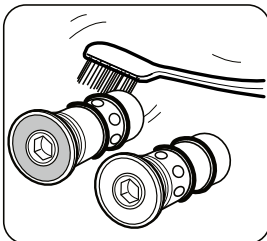
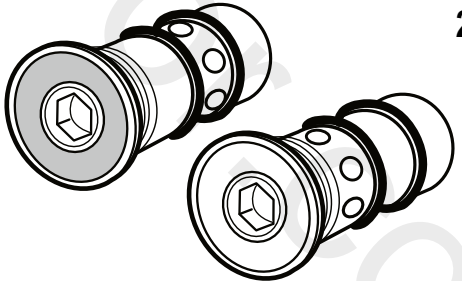
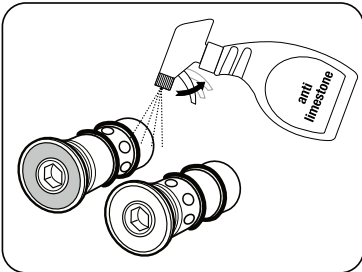


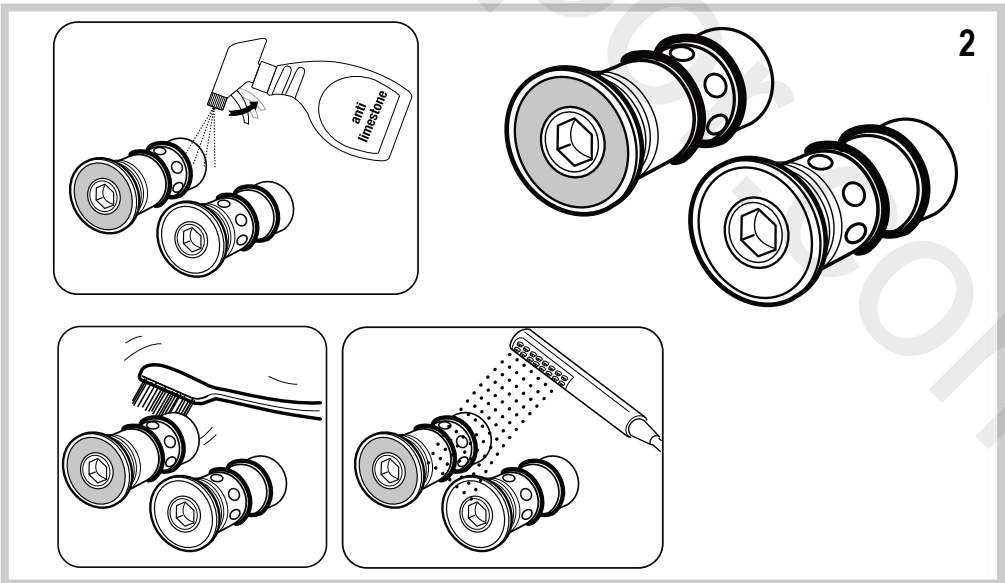
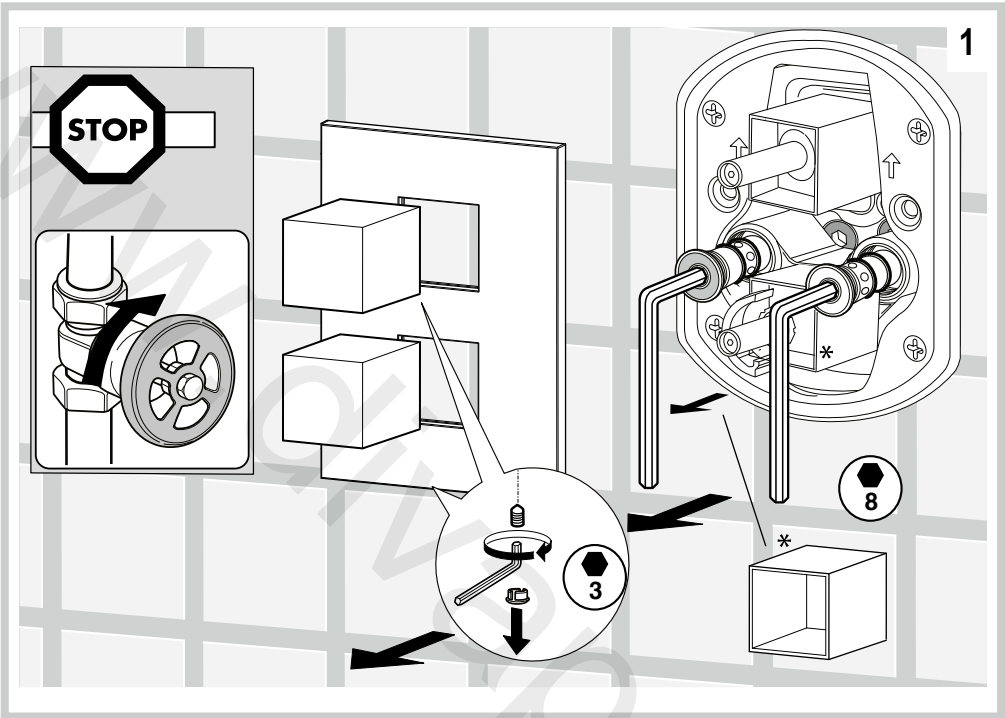
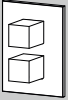


1



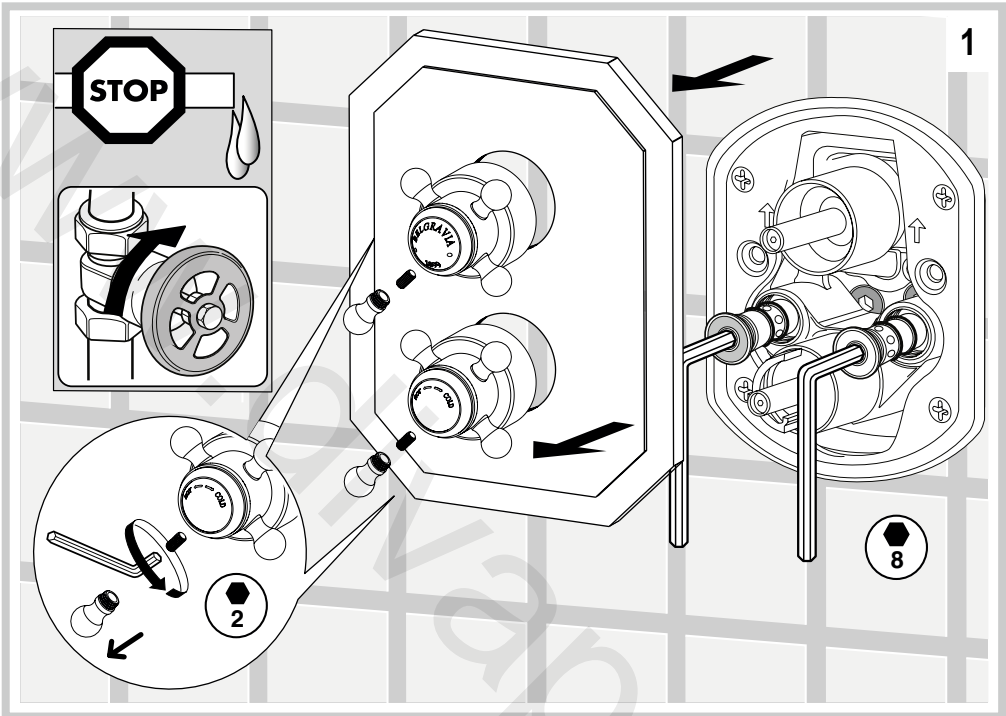
2



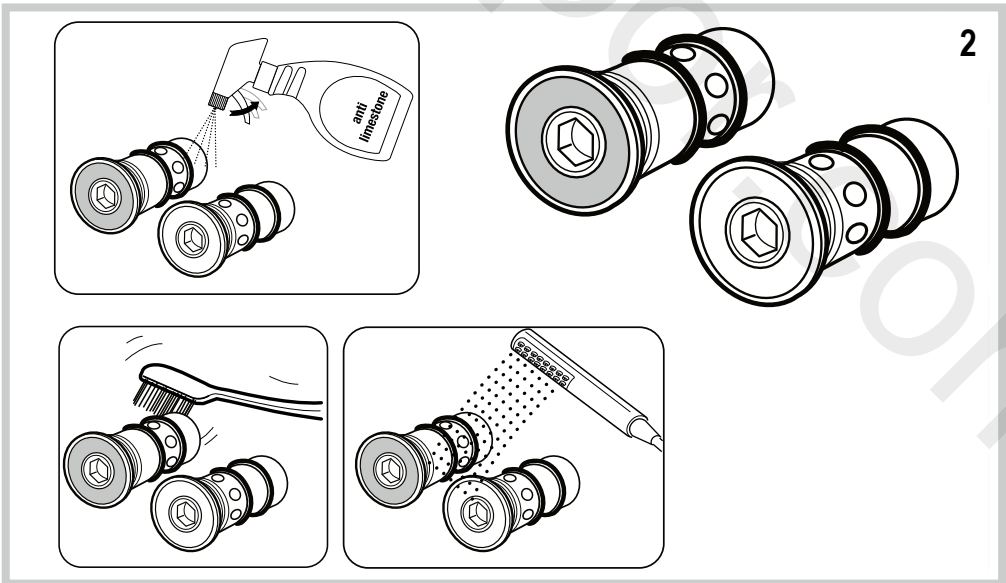


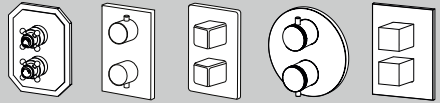


1

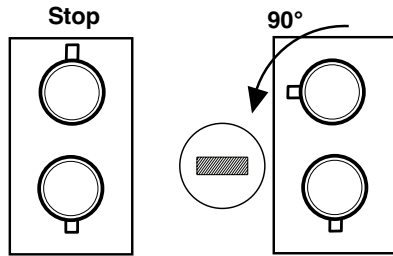


2

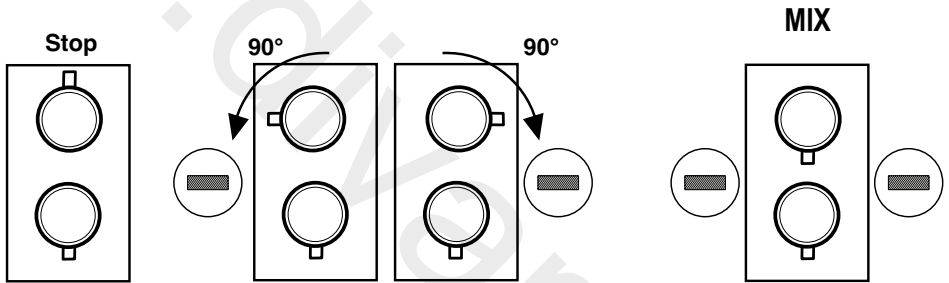




THERMOSTATIC 1 WAY



THERMOSTATIC 2 WAYS



THERMOSTATIC 3 WAYS

