



ISTRUZIONI DI MONTAGGIO

IT

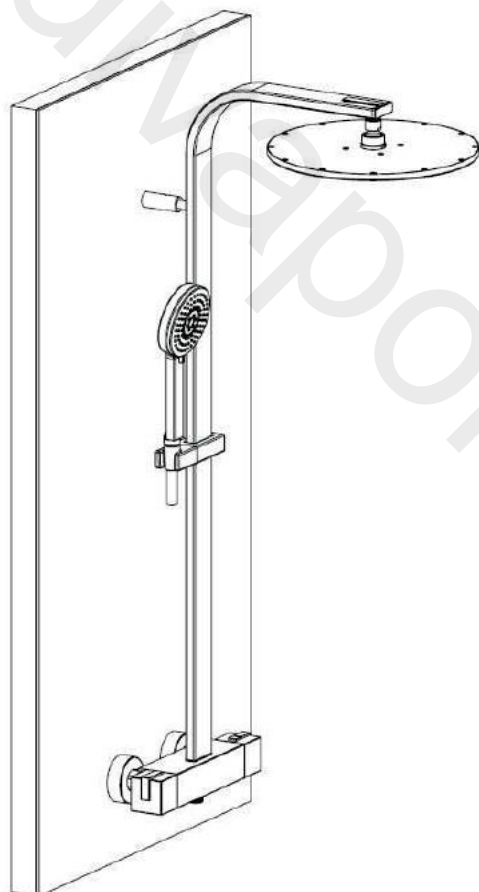
FITTING INSTRUCTIONS

EN

NOTICE DE MONTAGE

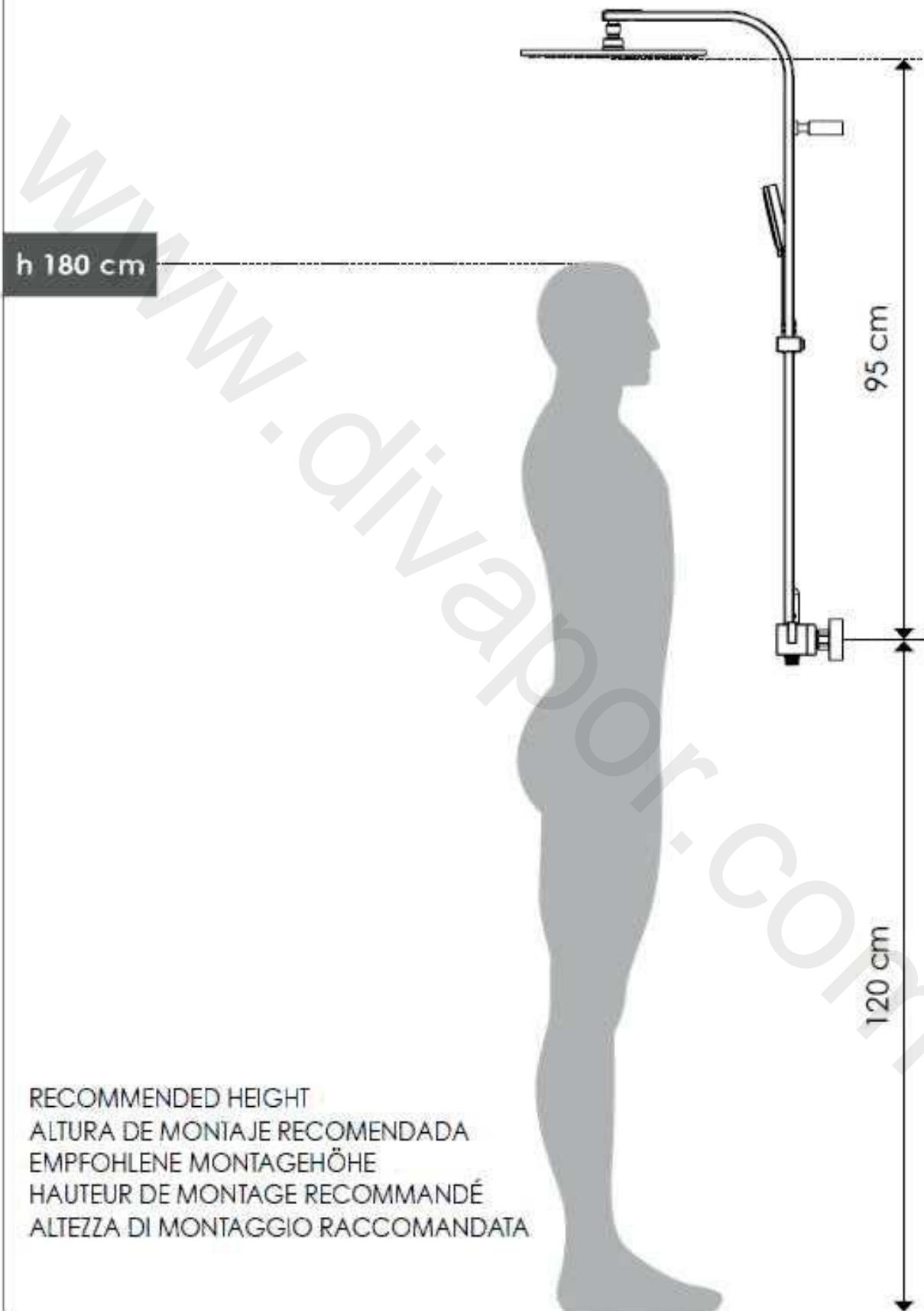
FR

# RUBACUORI 800



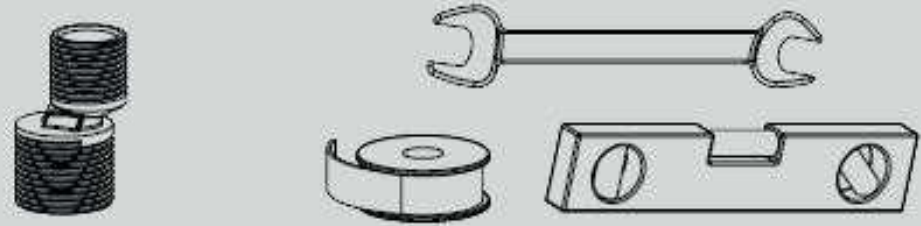
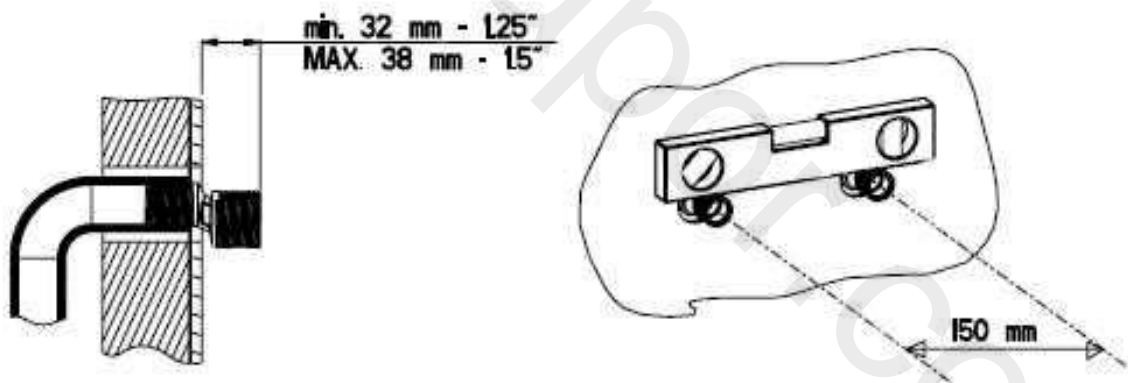
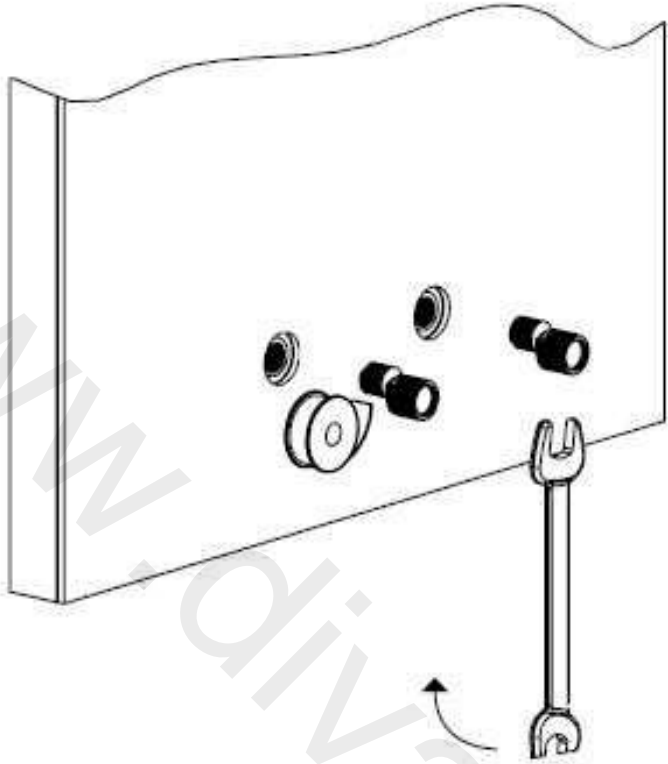
IB RUBINETTI

## SYSTEM INSTALLATION

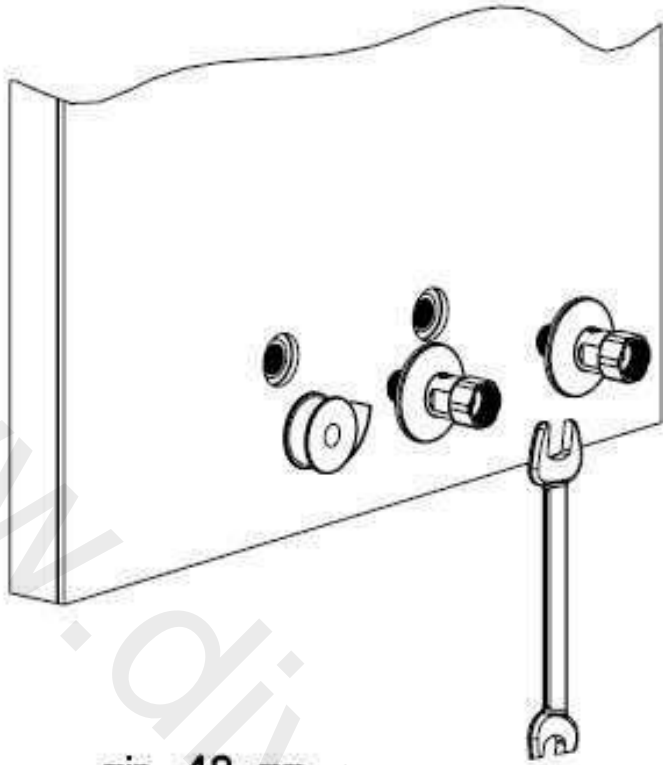


RECOMMENDED HEIGHT  
ALTURA DE MONTAJE RECOMENDADA  
EMPFOHLENE MONTAGEHÖHE  
HAUTEUR DE MONTAGE RECOMMANDÉ  
ALTEZZA DI MONTAGGIO RACCOMANDATA

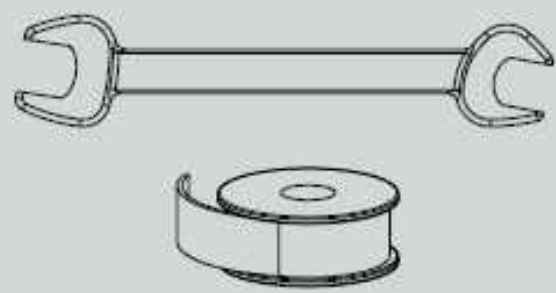
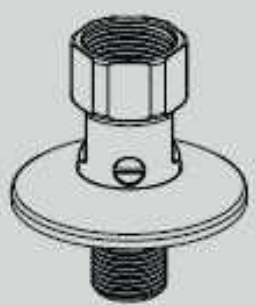
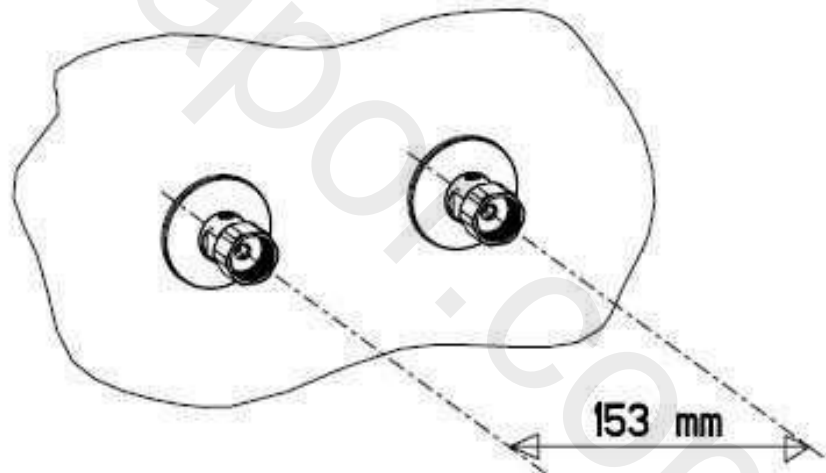
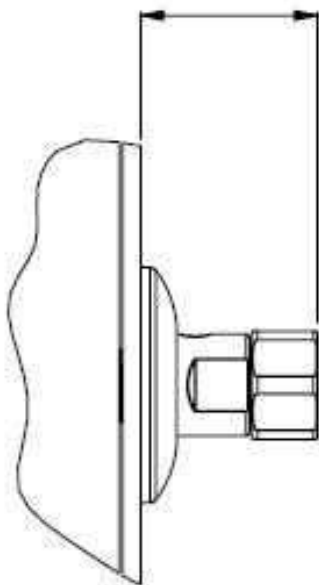
www.diverpro.com



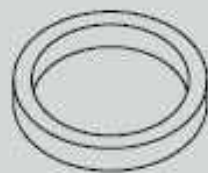
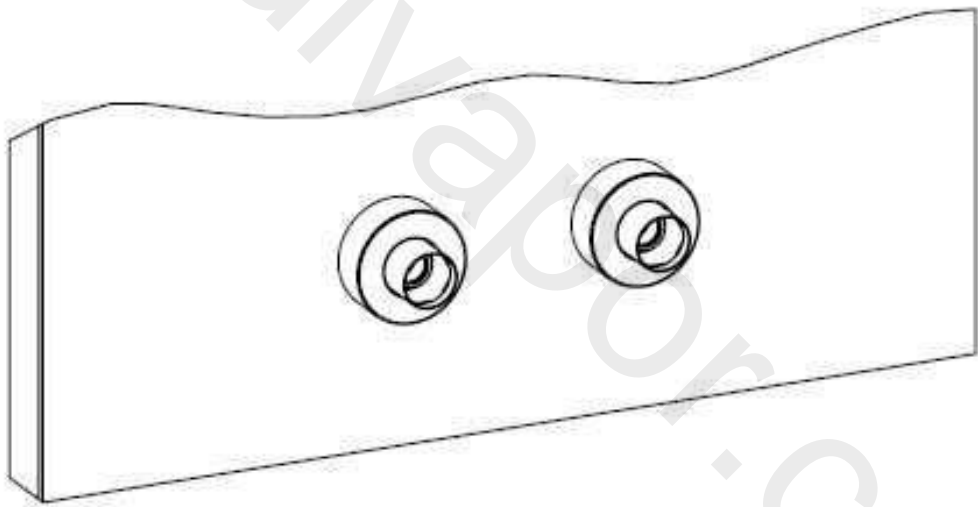
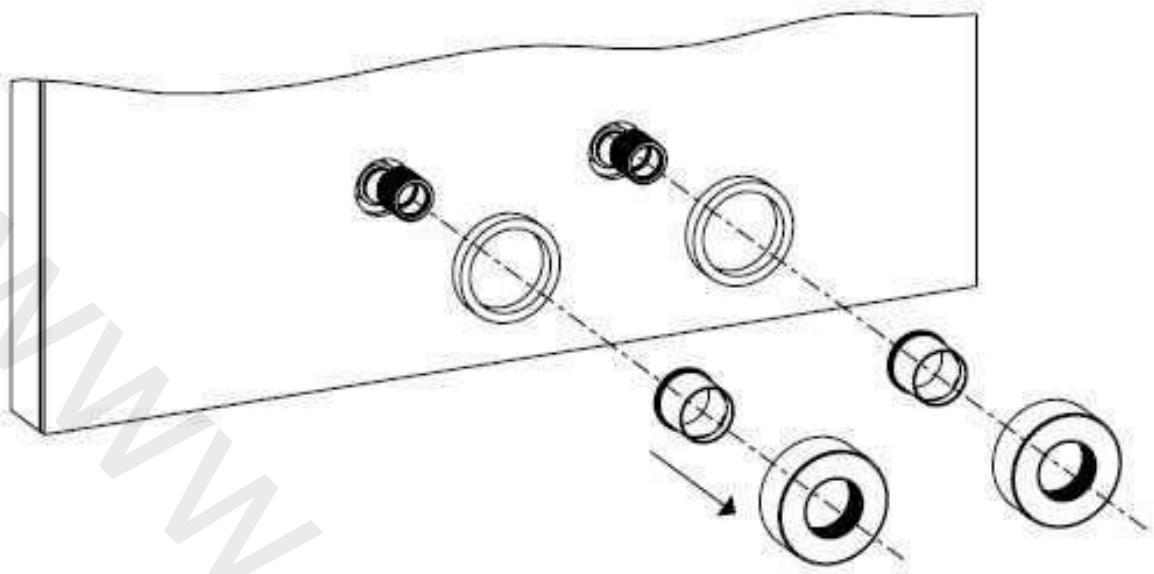
CH



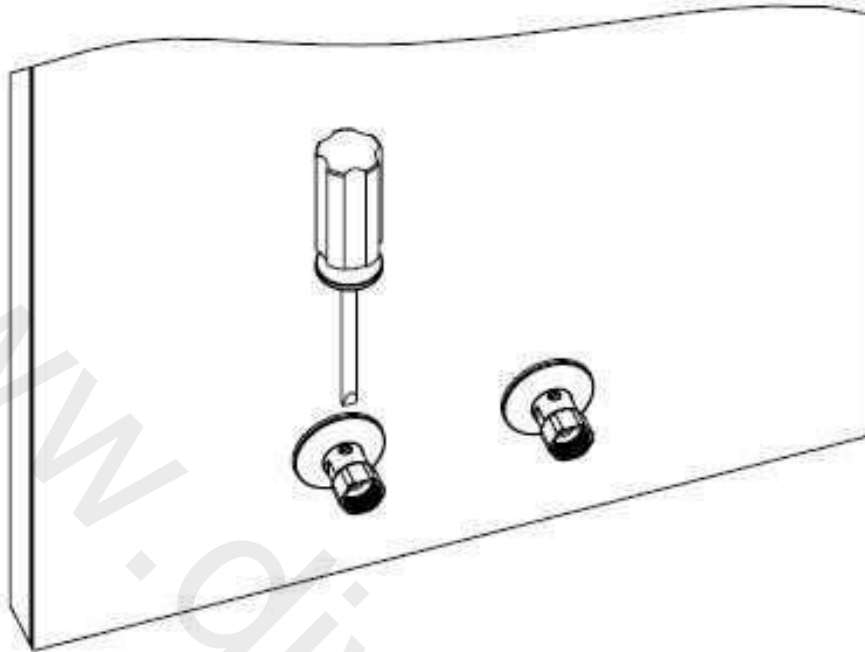
min. 48 mm  
MAX. 52 mm



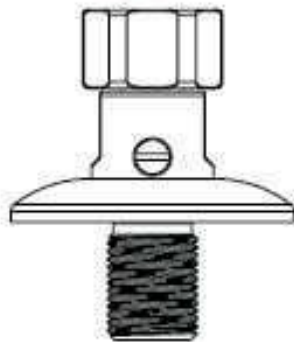
9



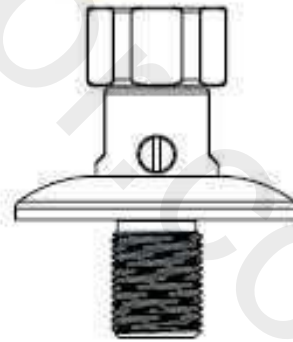
CH



CLOSE  
CERRADO  
GESCHLOSSEN  
FERMÉ  
CHIUSO



OPEN  
ABIERTO  
OFFEN  
OUVERT  
APERTO

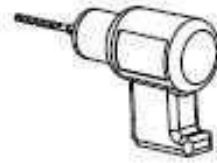
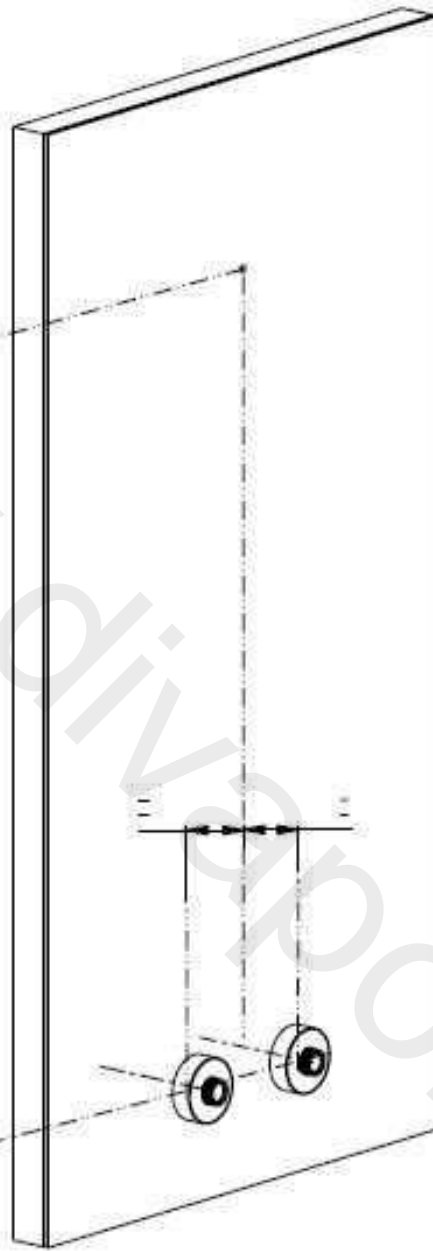


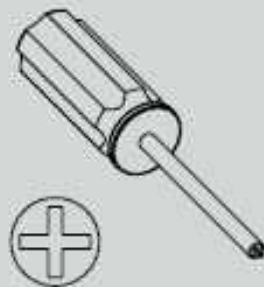
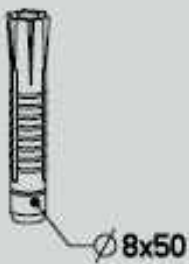
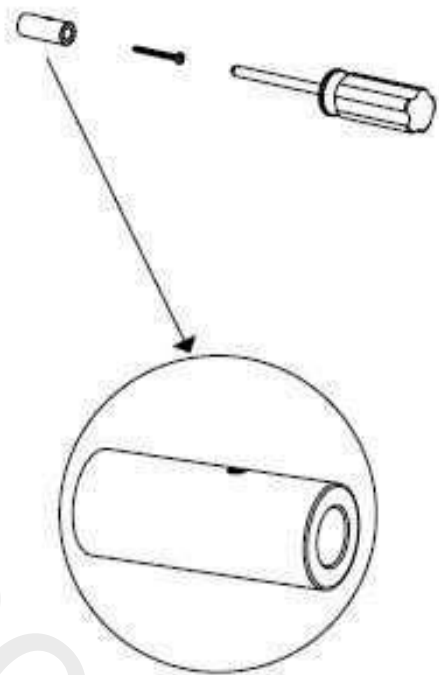
OPEN ONLY AFTER ASSEMBLY THE KIT  
ABRIR SOLAMENTE DESPUES DE HABER MONTADO EL KIT  
ERST NACH DER MONTAGE DES KITS ÖFFNEN  
OUVERTE SEULEMENT APRÈS UN KIT DE MONTAGE  
APRIRE SOLO DOPO IL MONTAGGIO DEL KIT



b

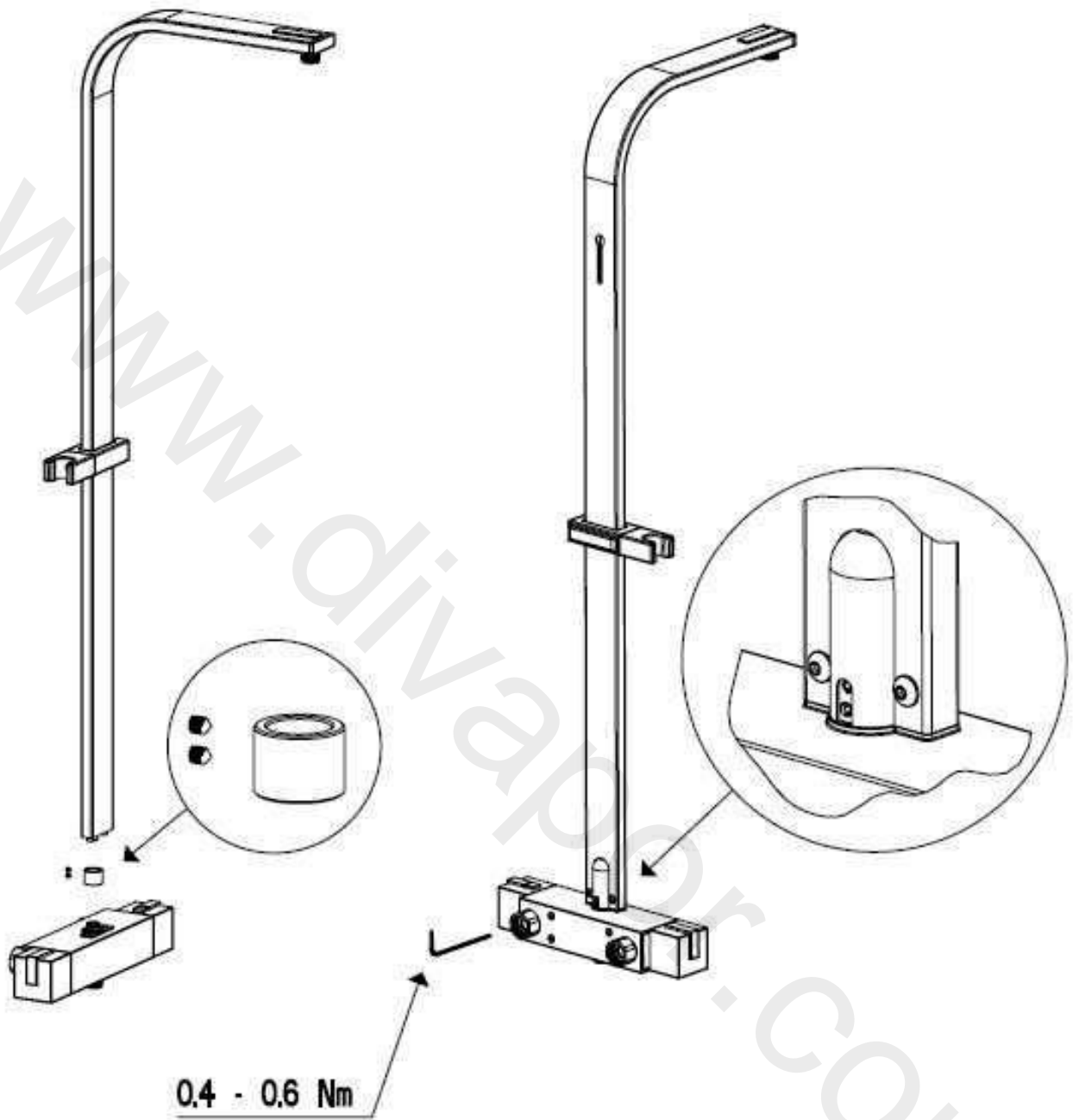
MAX. 830 mm - 32.6"  
min. 790 mm - 31"



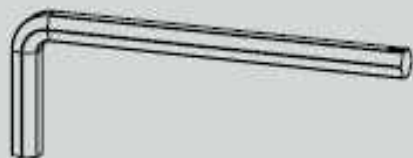


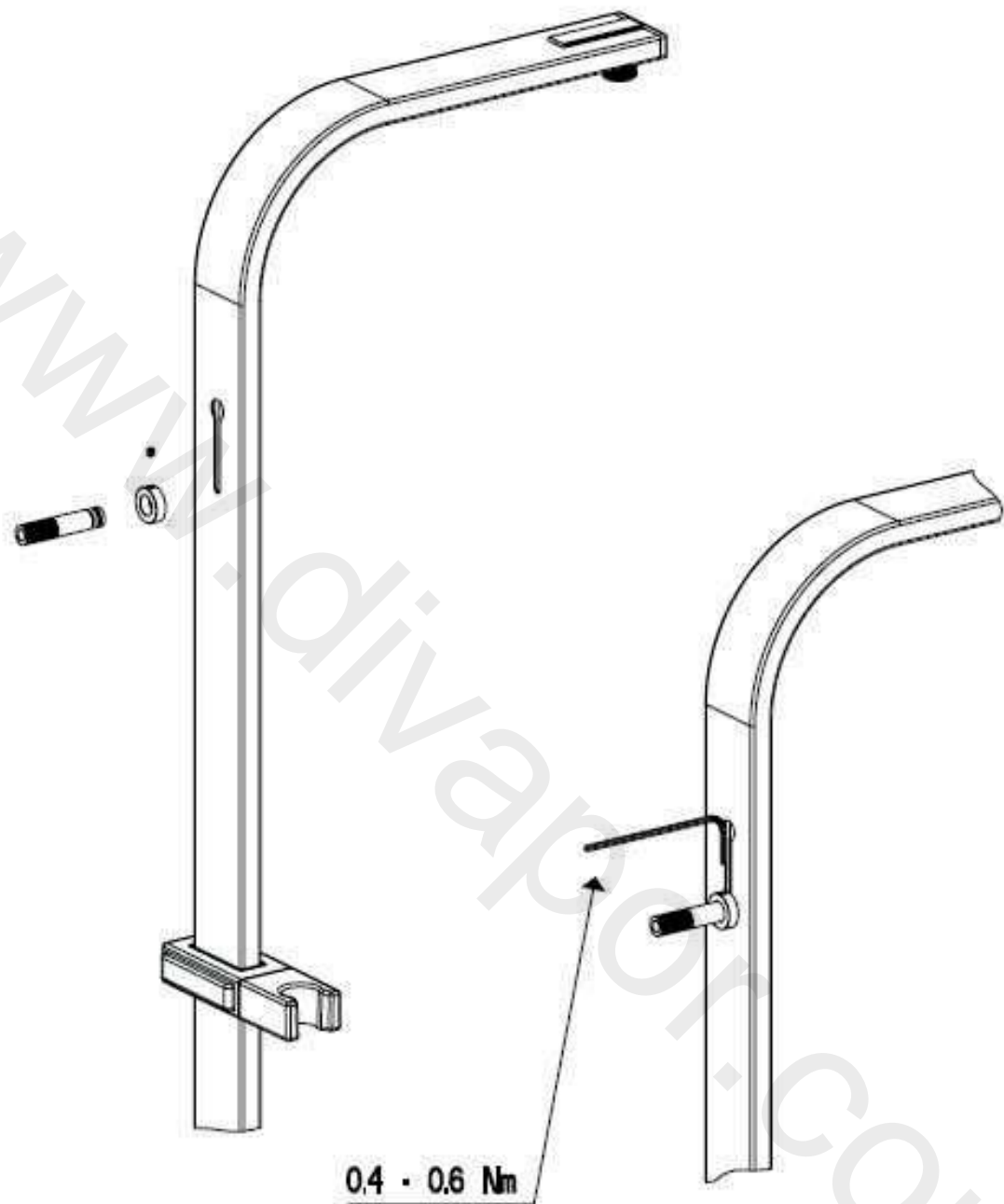
4

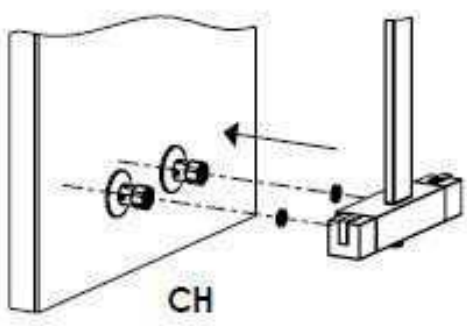
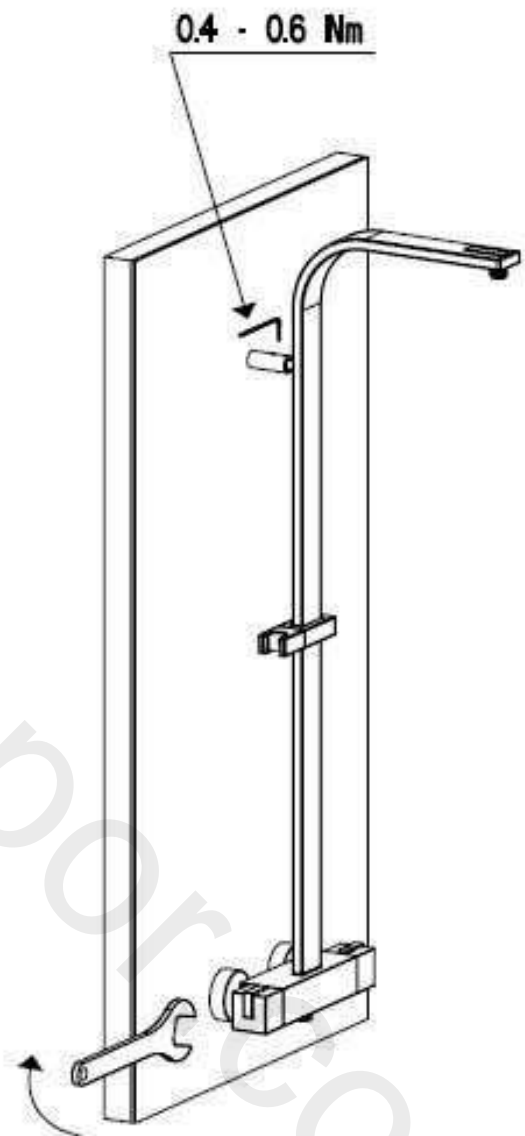
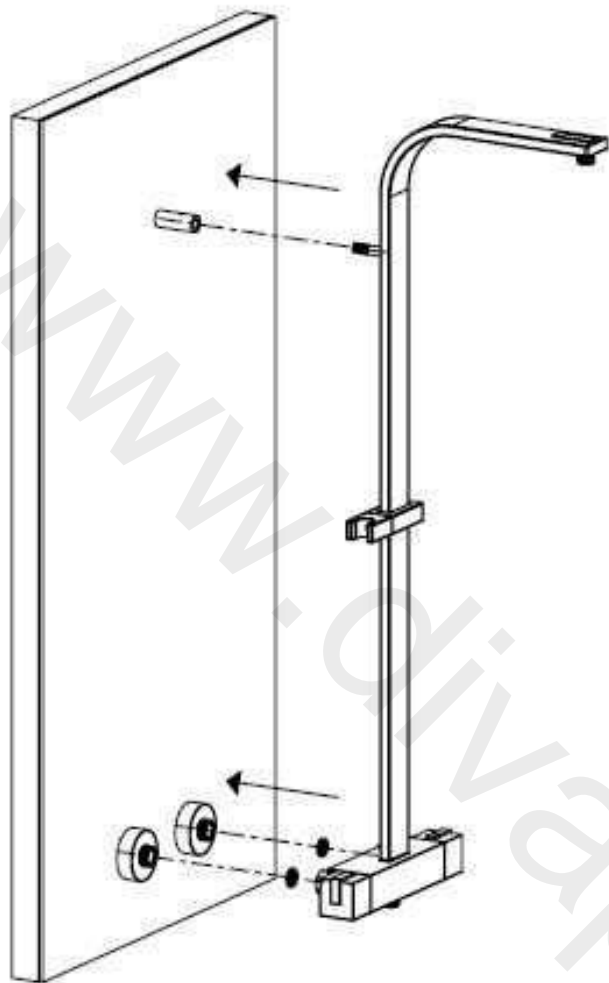




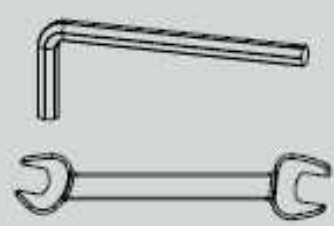
 x 2

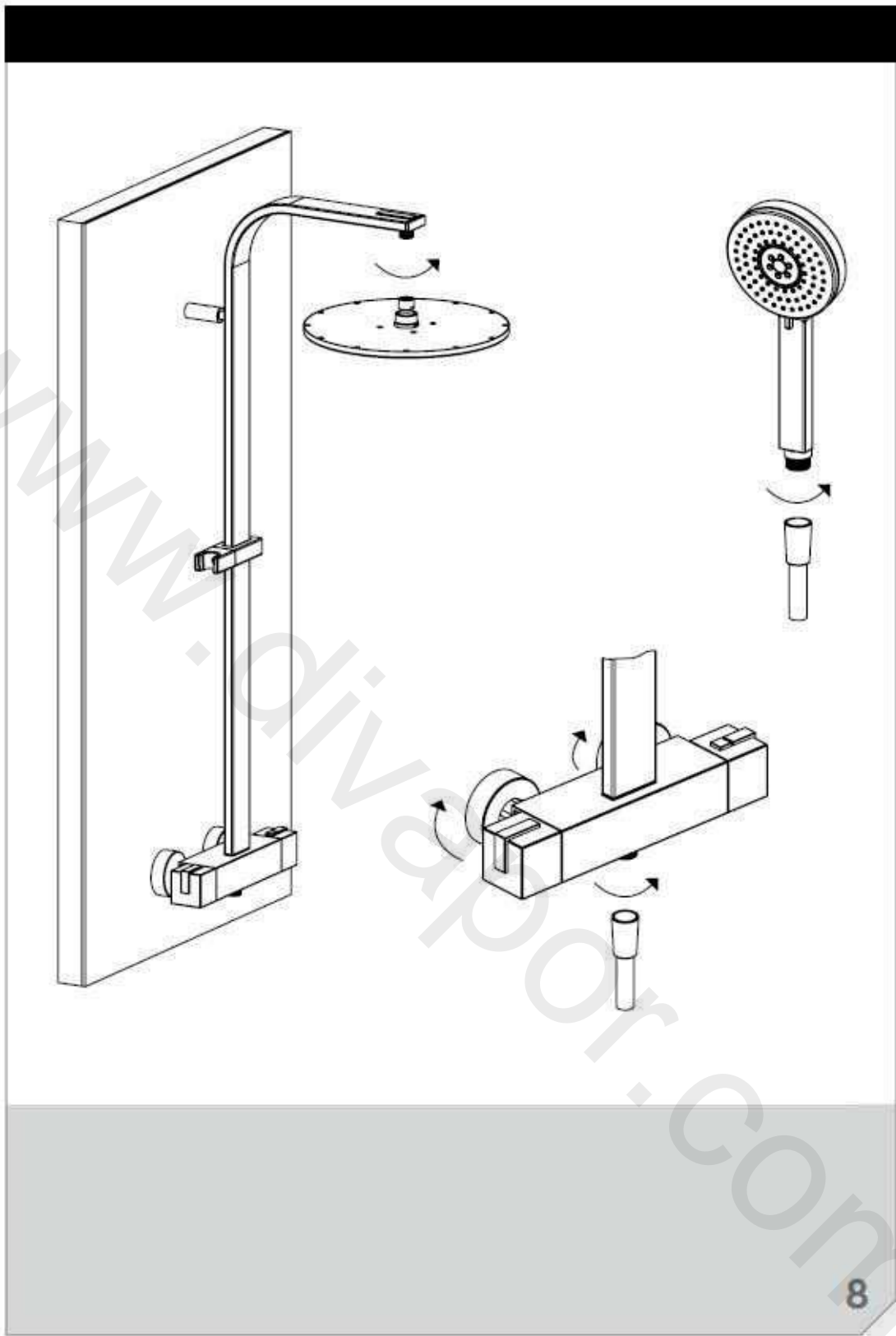






 X 2





## IMPORTANT

### Pressure & Temperature Requirements.

- \* Hot and cold water inlet pressures should be equal.
- \* Inlet pressure range: 150-1000 kPa
- \* New Regulation: -500 kPa maximum operating pressure at any outlet within a building. (Ref. AS/NZS 3500.1-2003, Clause 3.3.4)
- \* Maximum hot water temperature: 80°C.

IB RUBINETTERIE s.p.a  
 via dei Pianotti 3/5  
 25068 Sarezzo (BS) - Italy -  
 P.IVA 01785230986

ISCR. REG. IMPR.  
 BS 01785230986  
 R.E.A. BS 352087  
 capitale sociale €420.000,00 i.v.

T. +39 030 802101  
 F. +39 030 803097  
 info@ibrubineti.it  
 WWW.IBRUBINETTI.I



# IB RUBINETTI