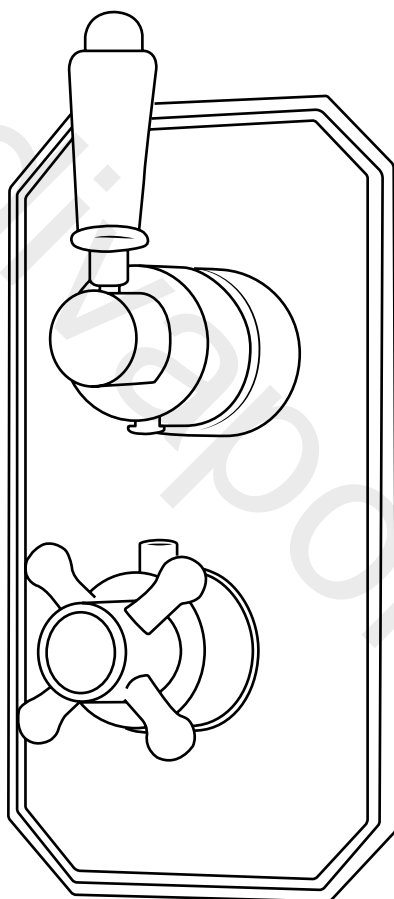


# Milano

Traditional Twin Diverter Valve

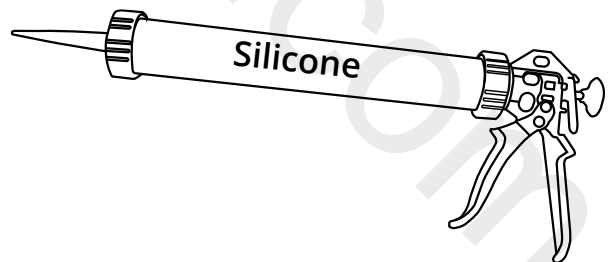
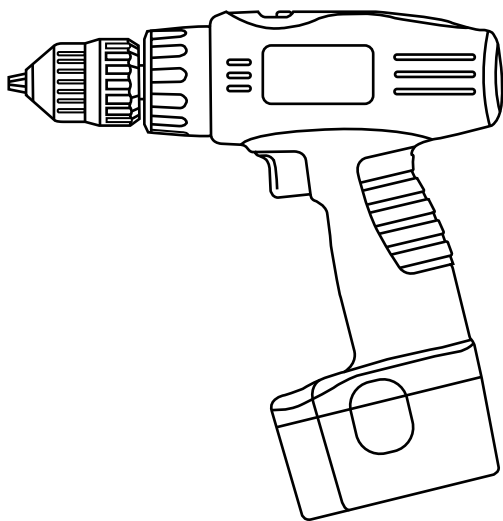
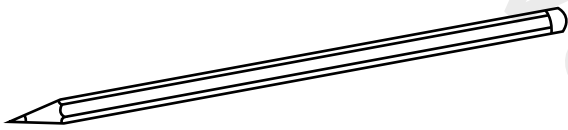
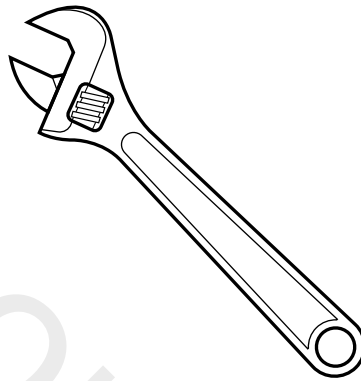
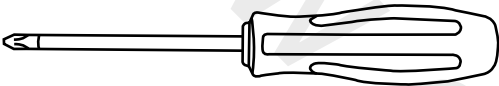
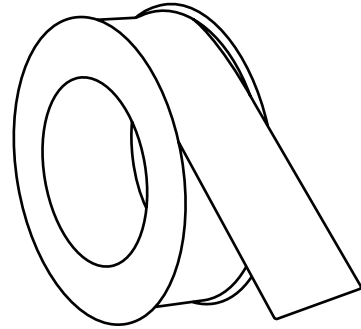
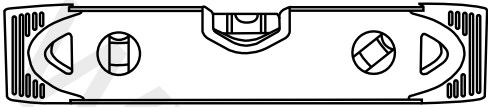


Installation Guide

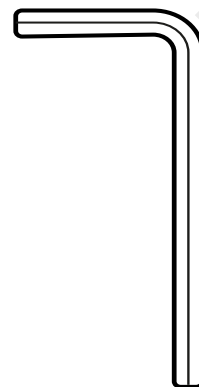
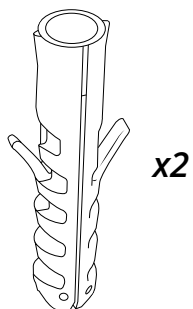
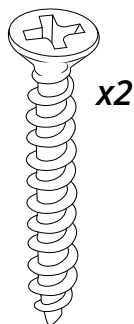
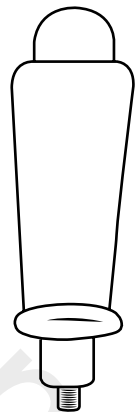
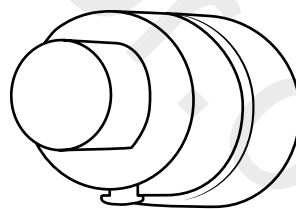
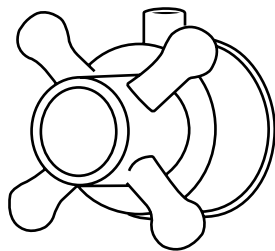
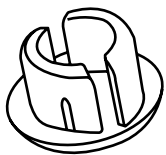
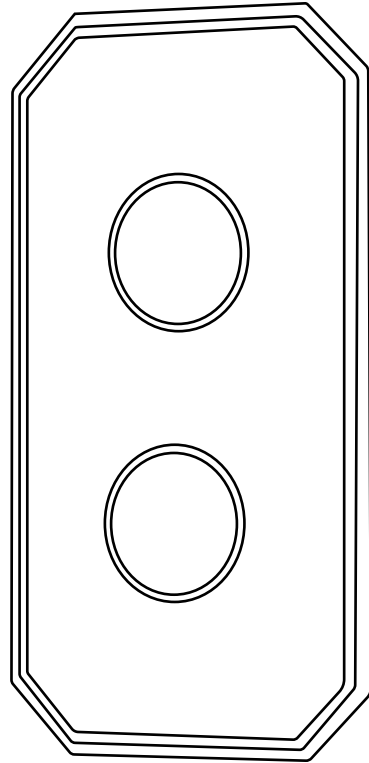
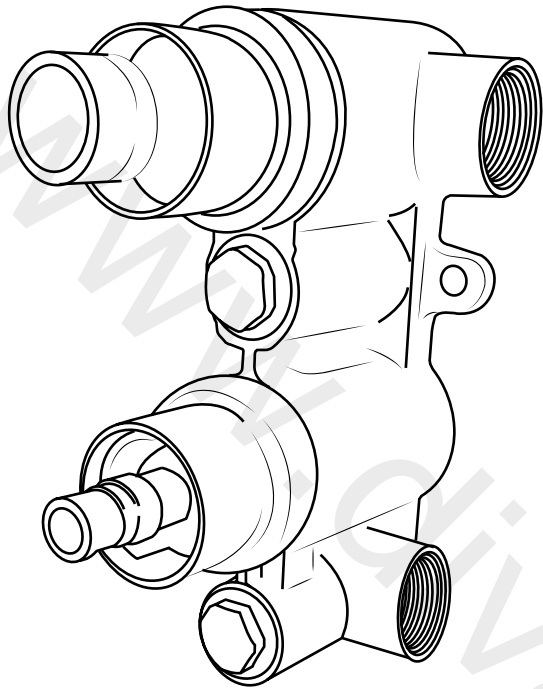
# Installation

---

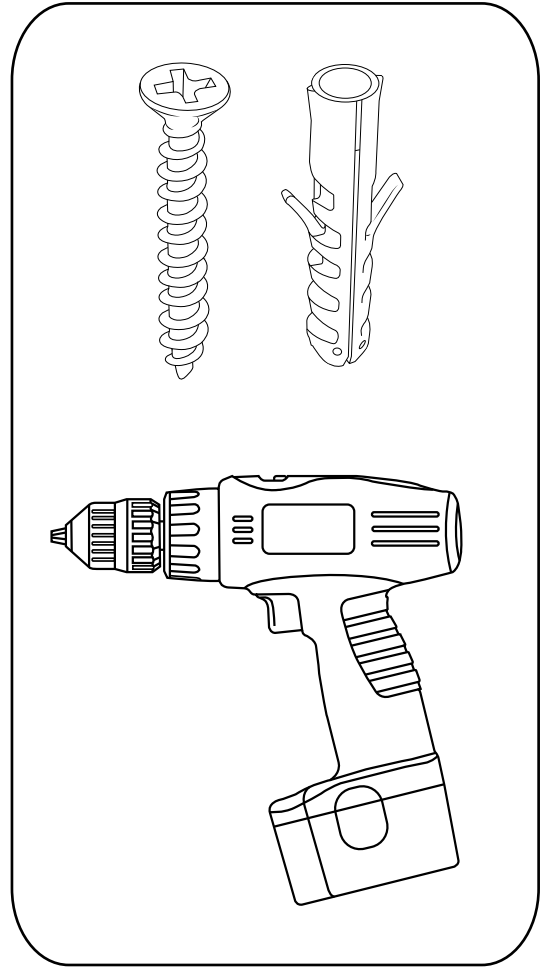
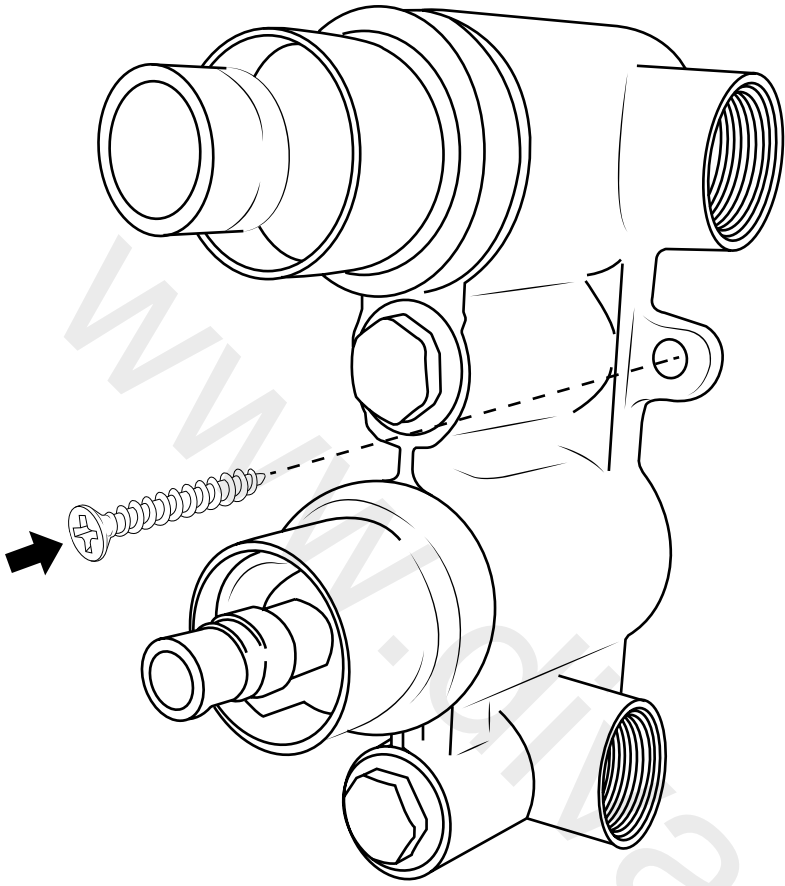
*Tools required for installing:*



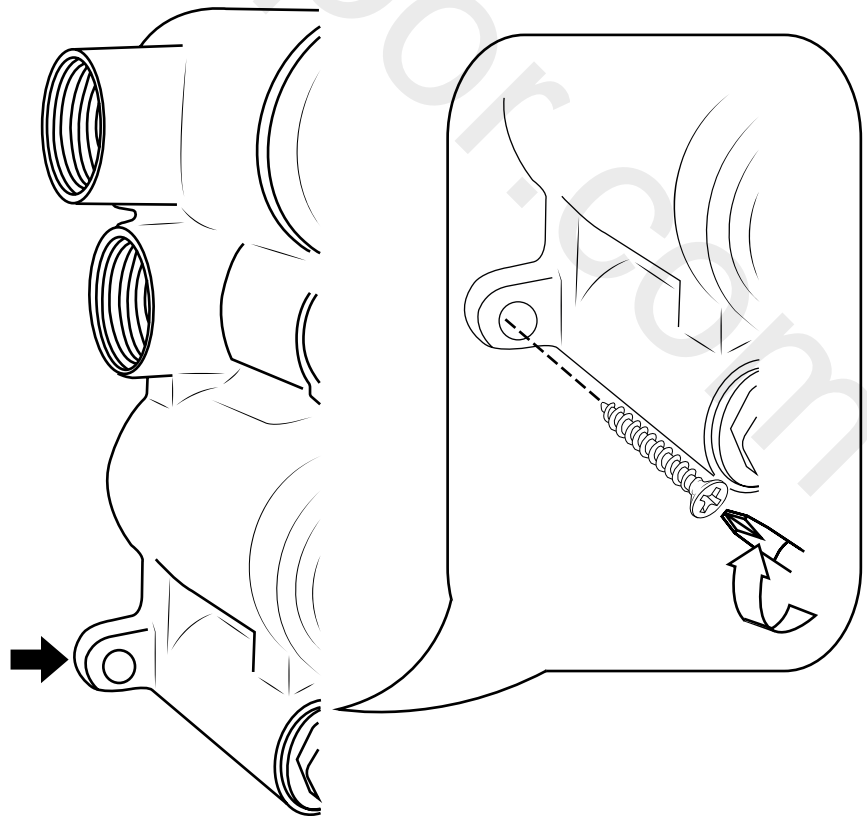
Parts included:



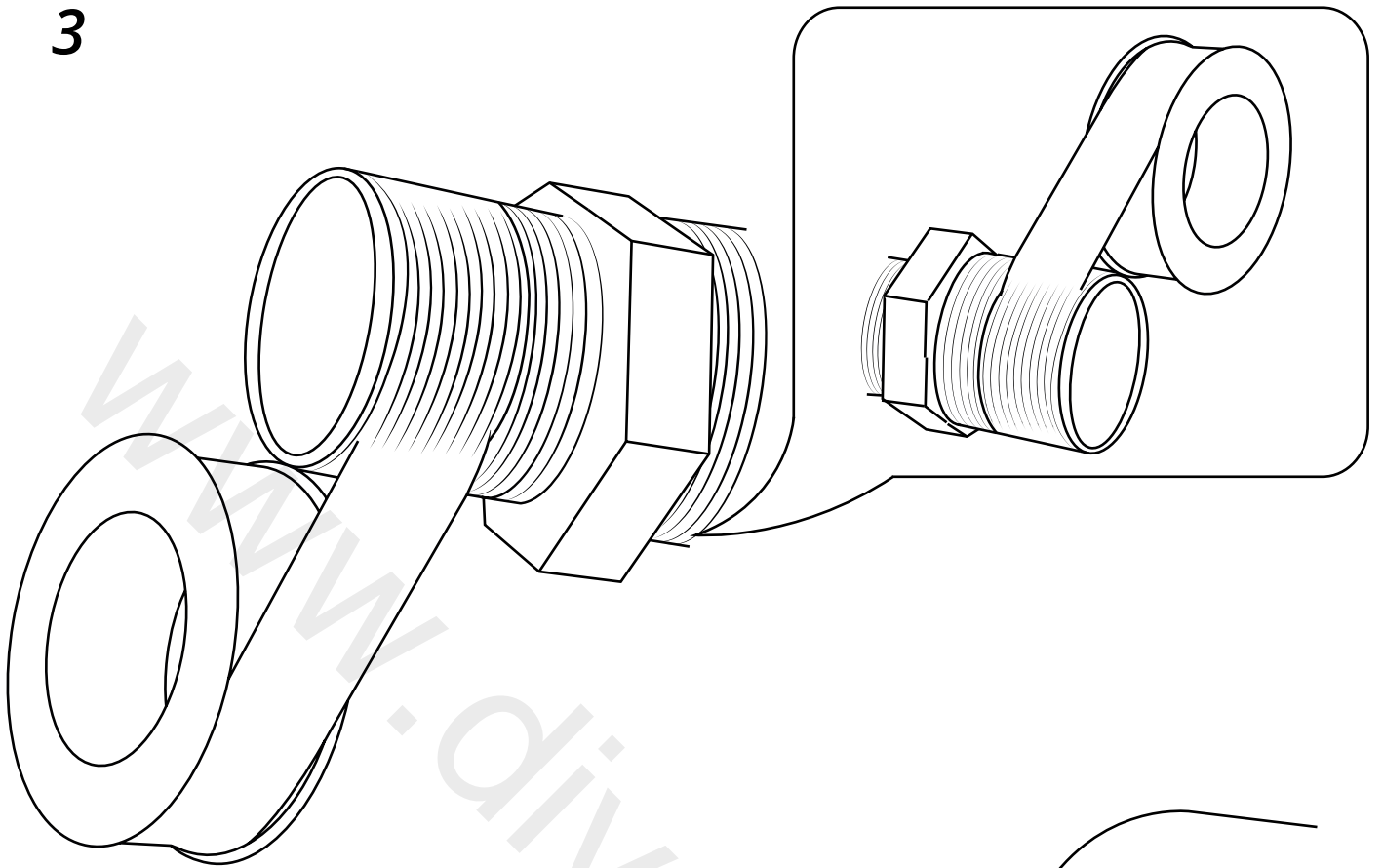
1



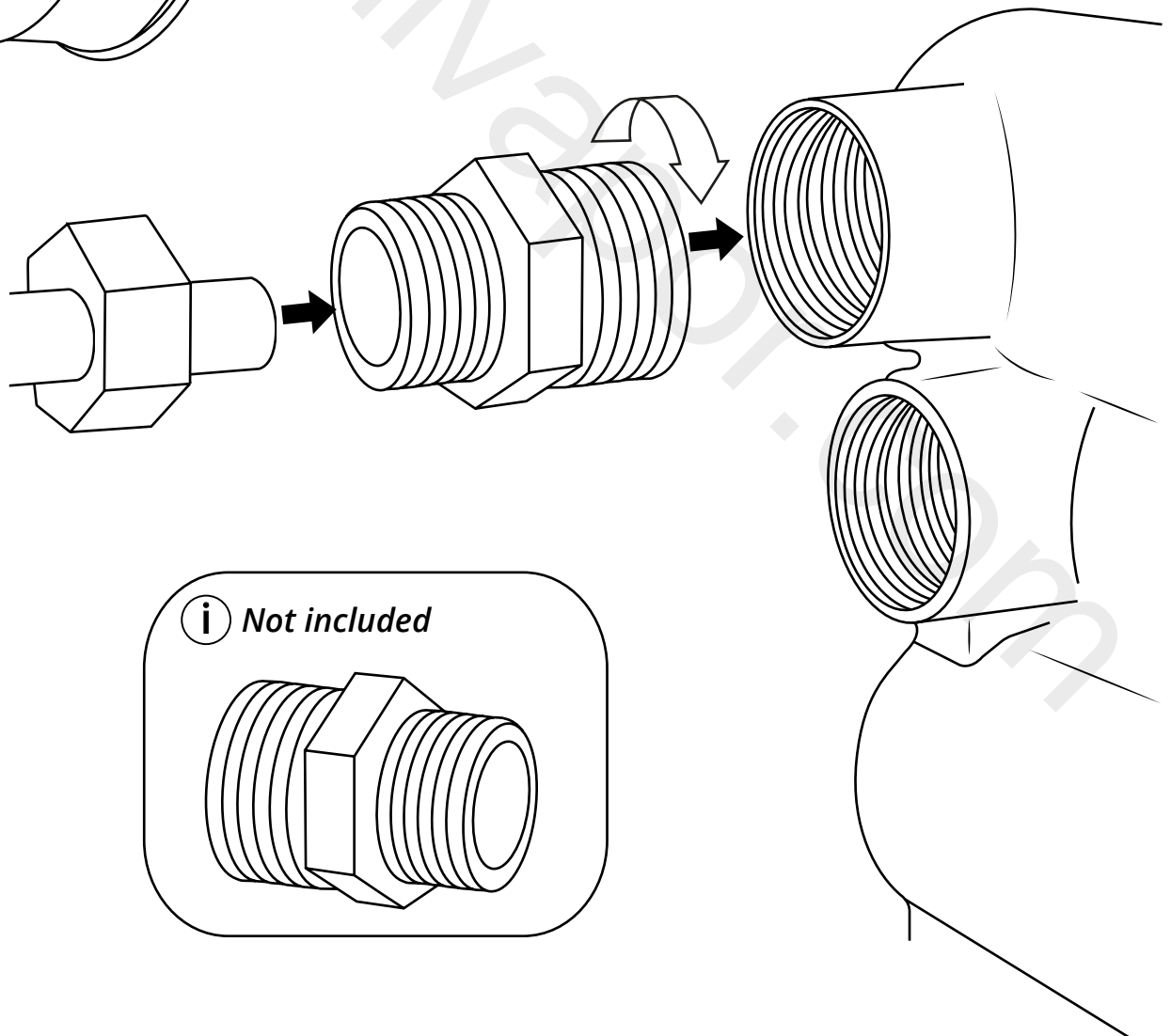
2



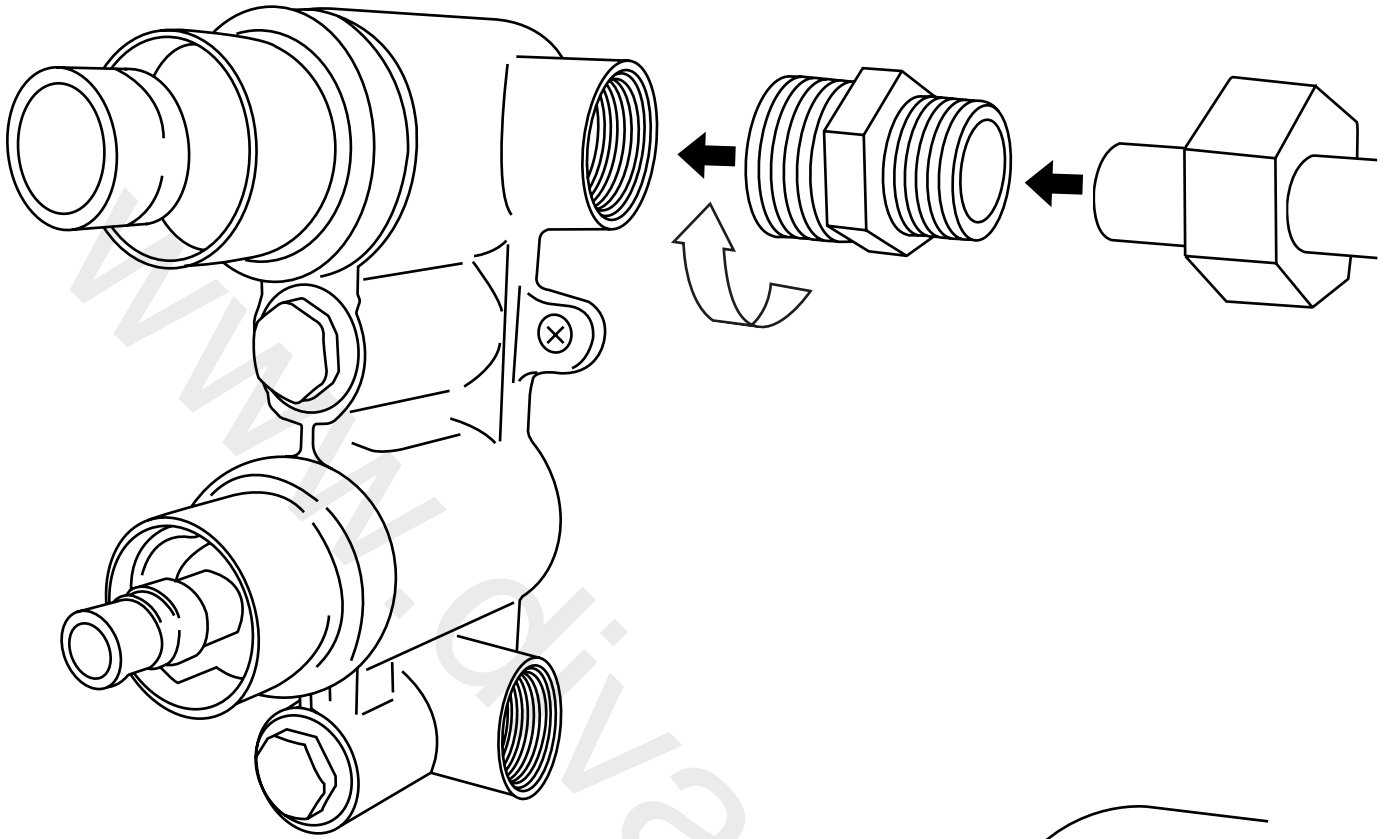
3



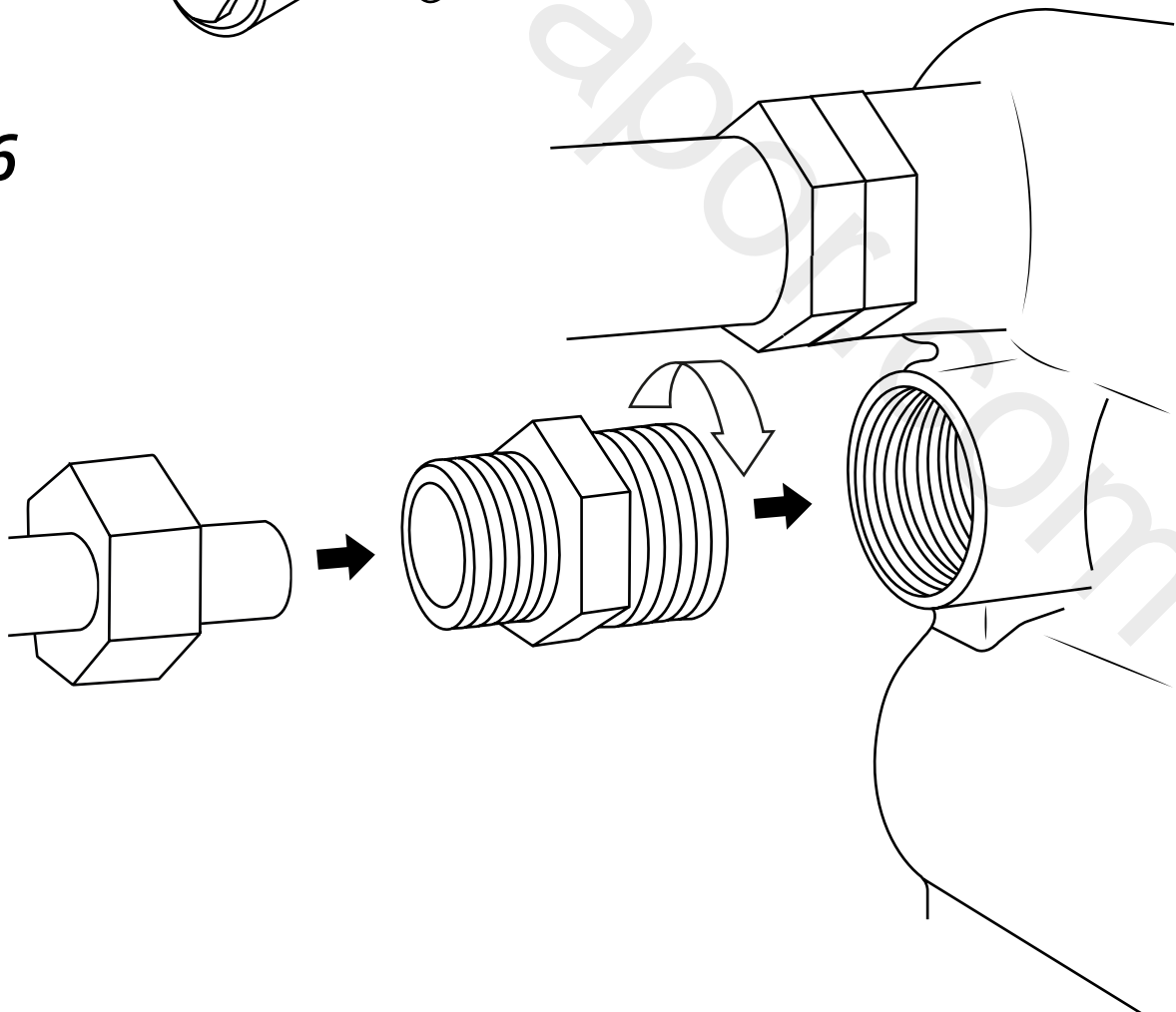
4



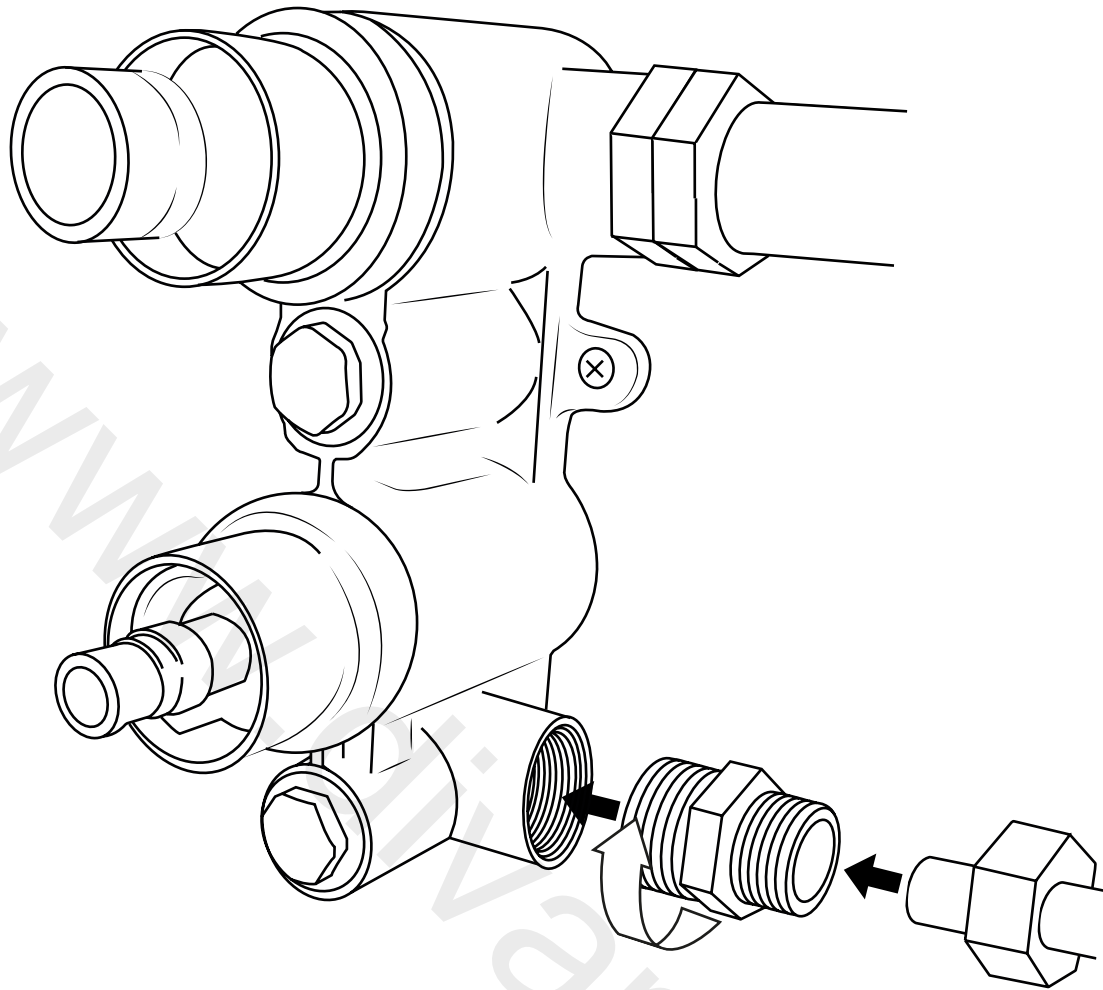
5



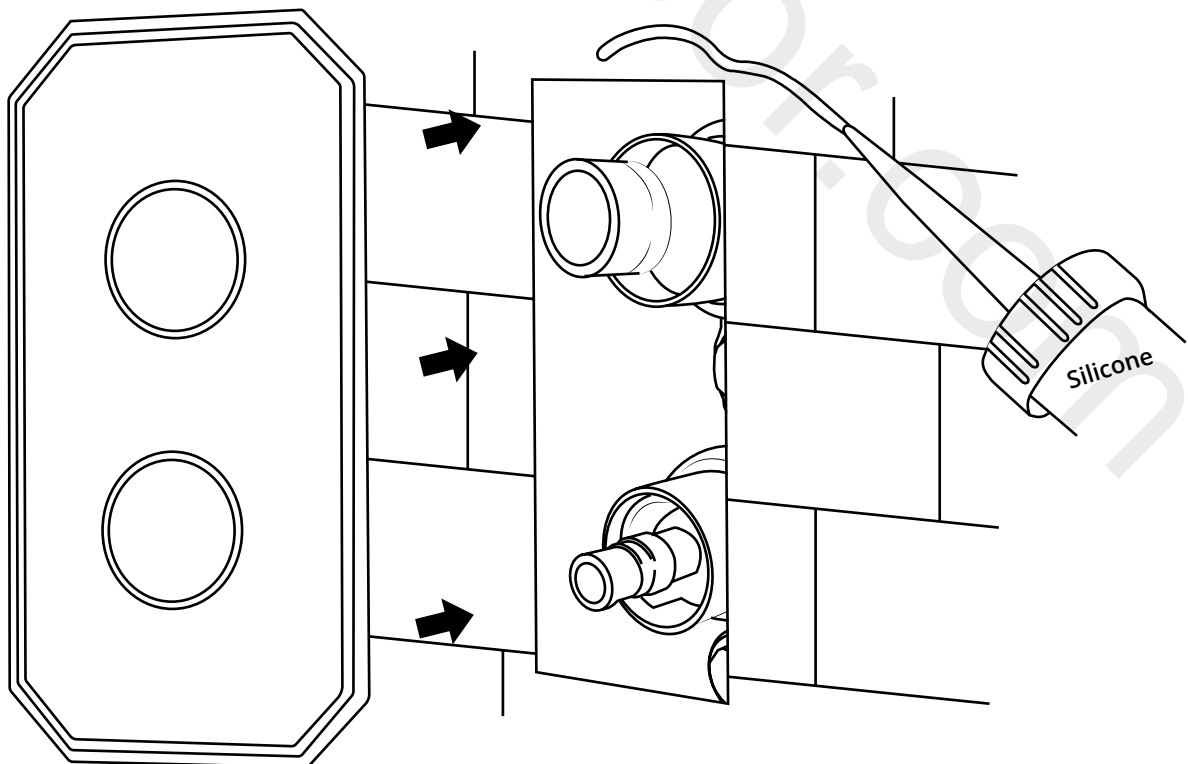
6



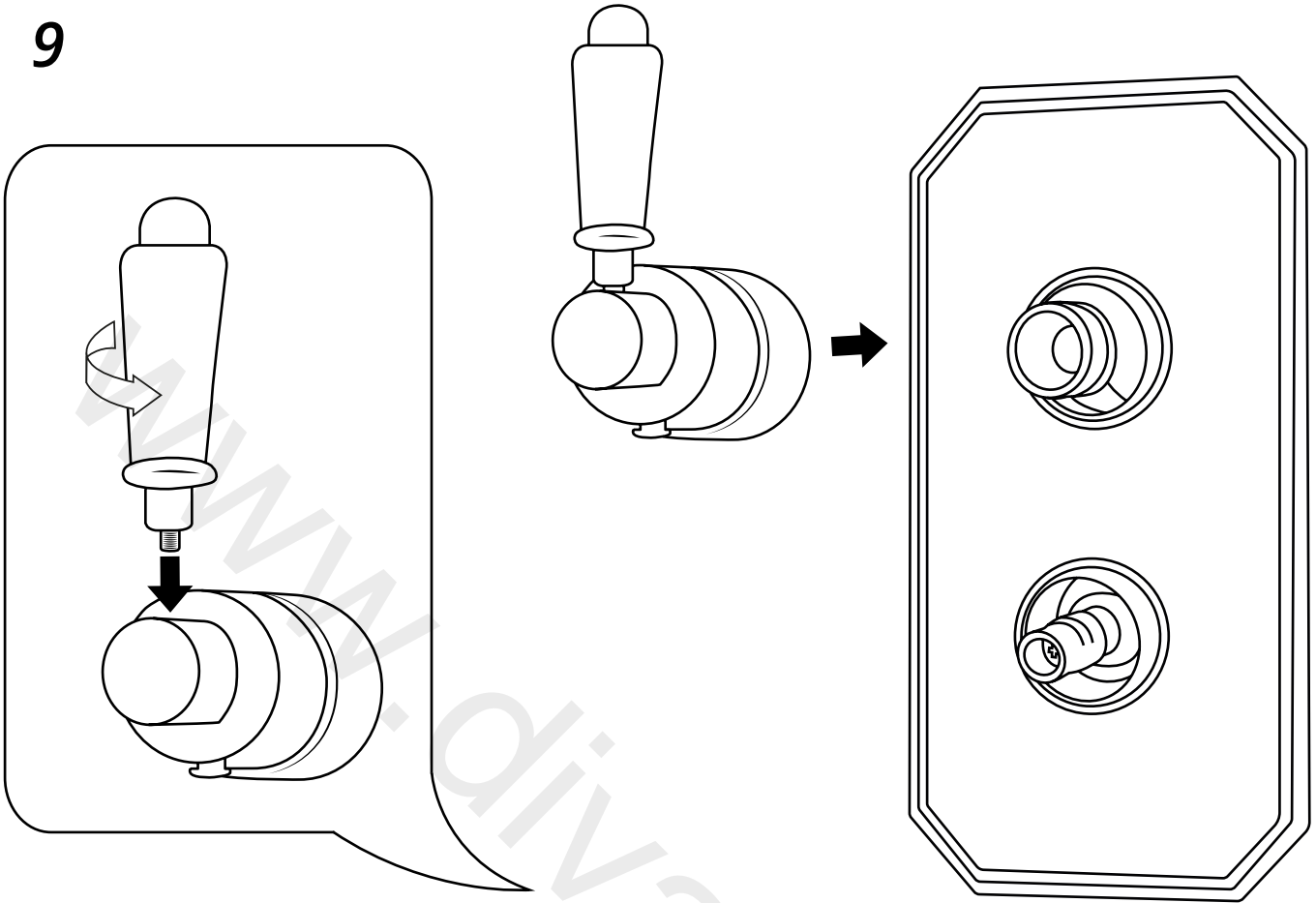
7



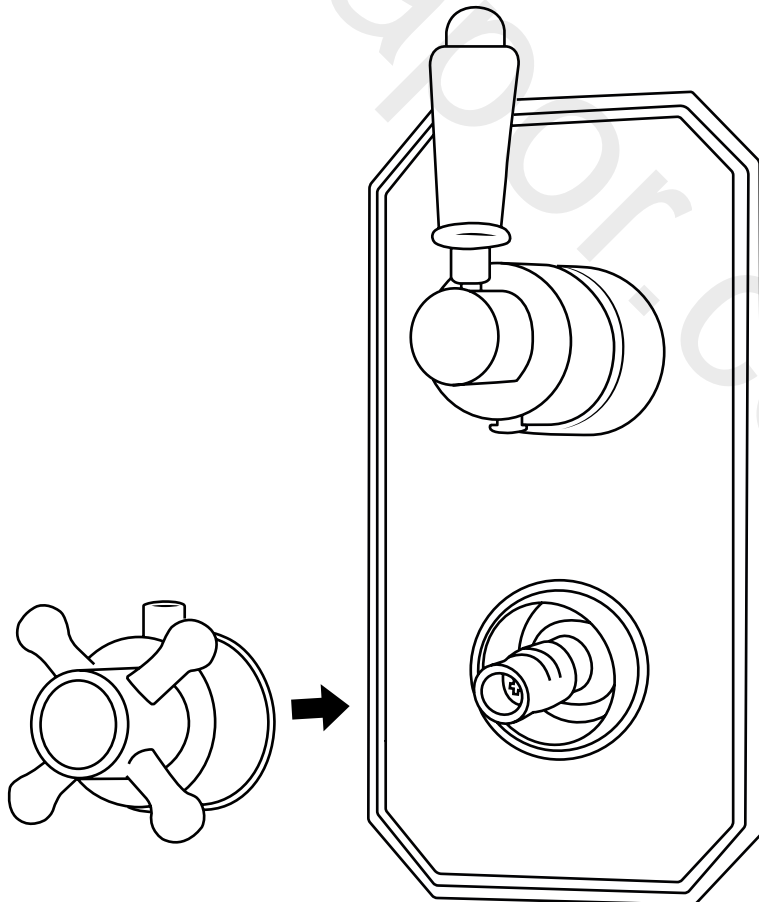
8



9

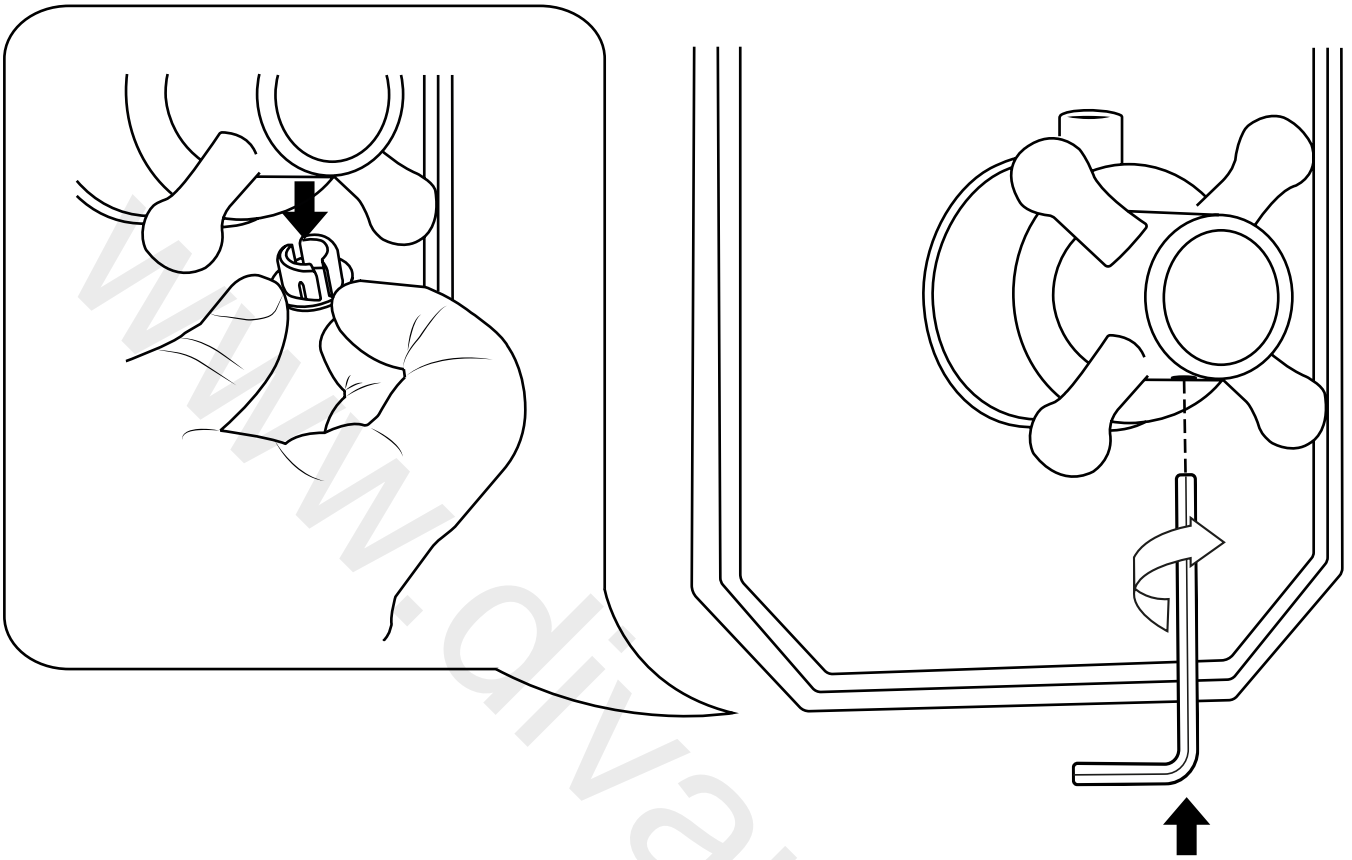


10

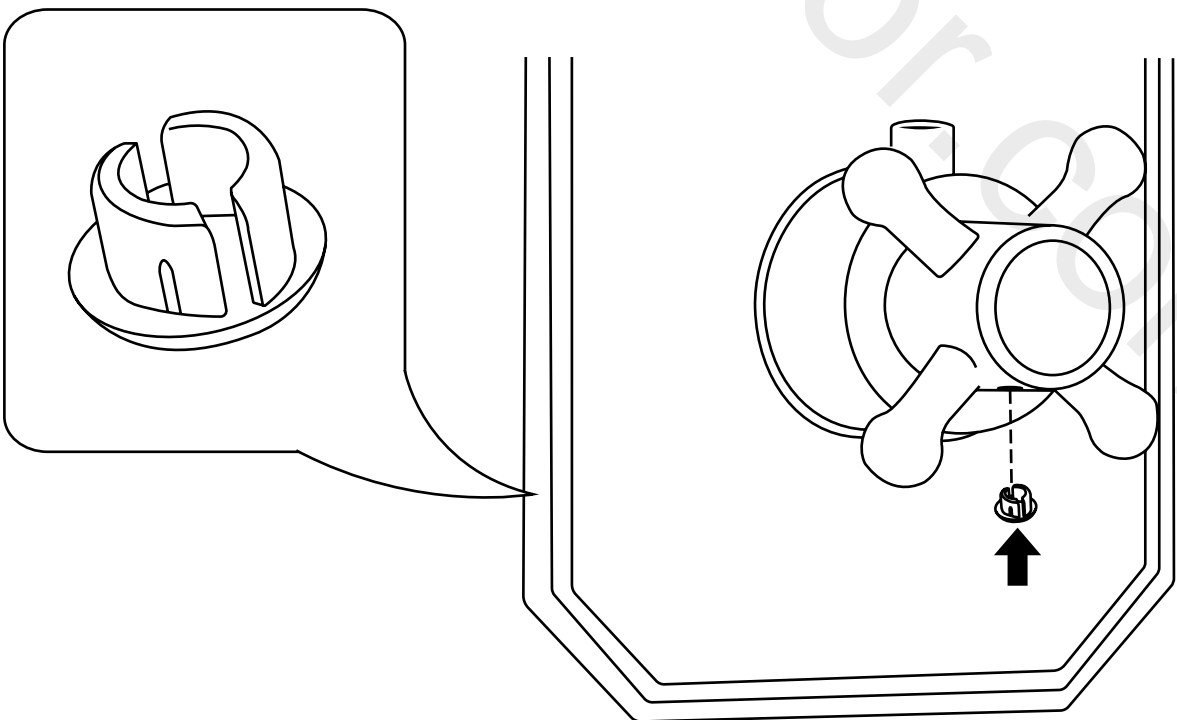




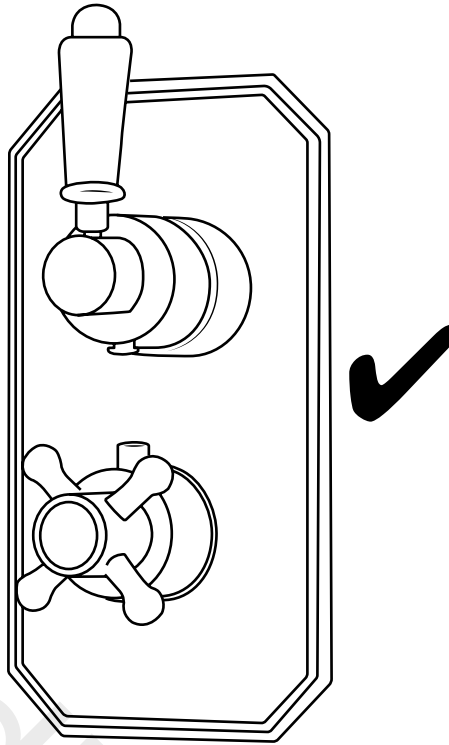
11



12



13



www.divapor.com

## Installation Example

