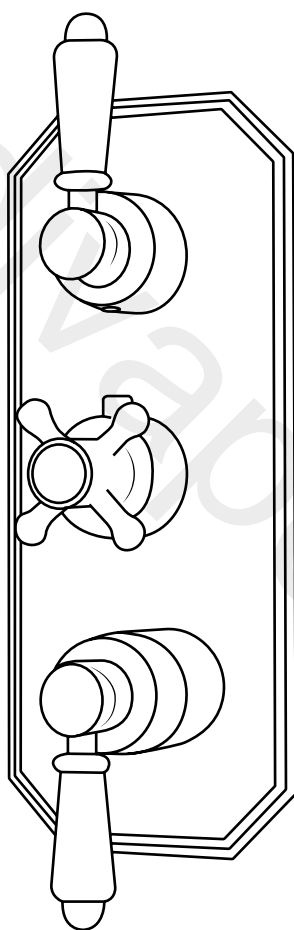


# Milano

Traditional Triple Valve

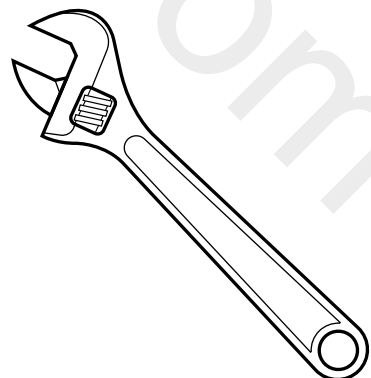
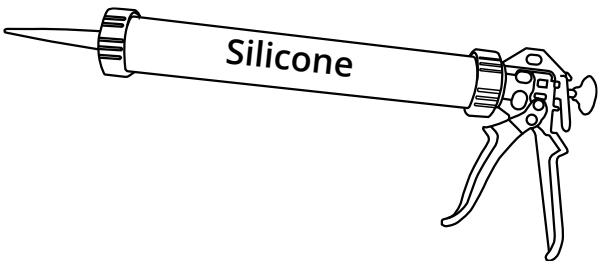
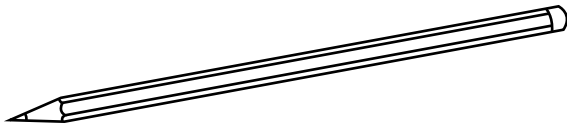
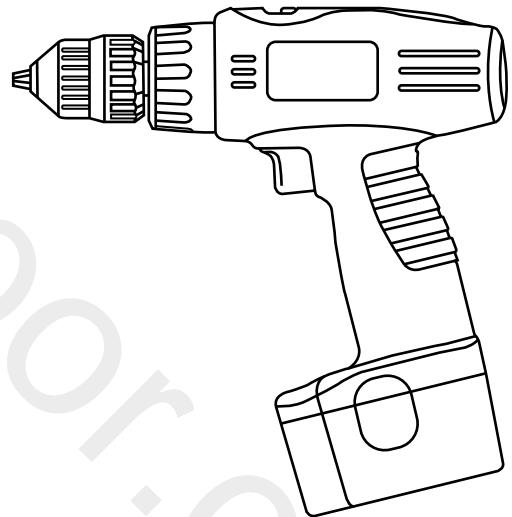
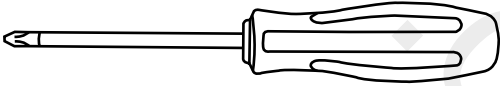
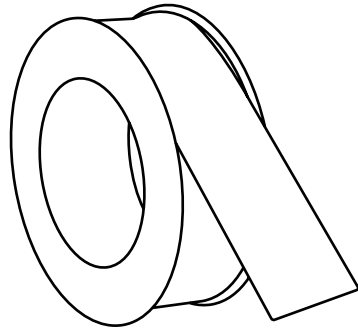
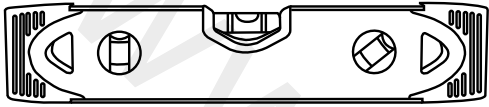


Installation Guide

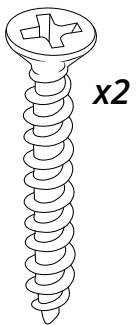
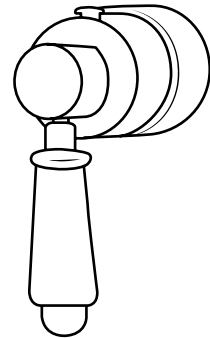
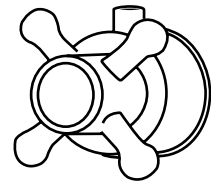
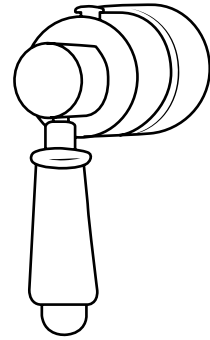
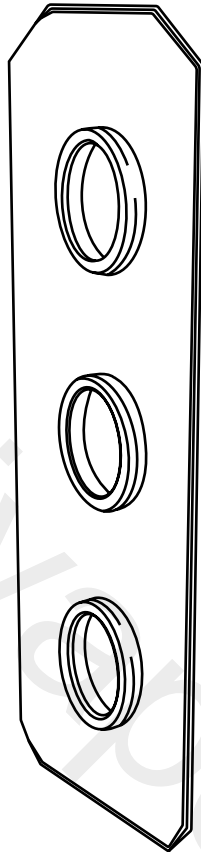
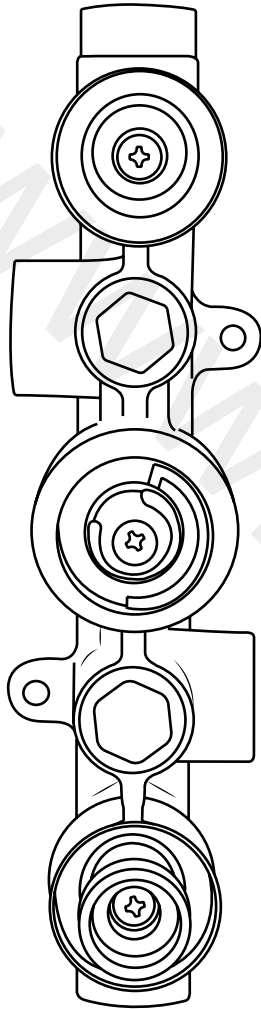
# Installation

---

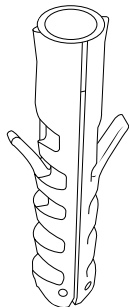
*Tools required for installing:*



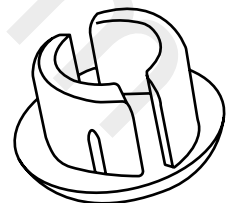
Parts included:



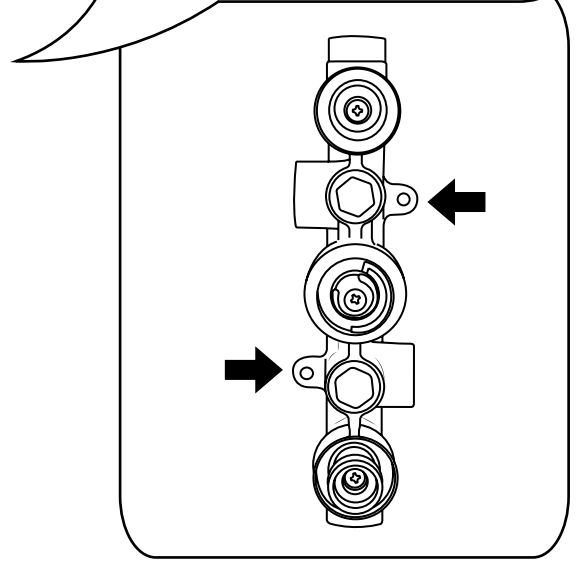
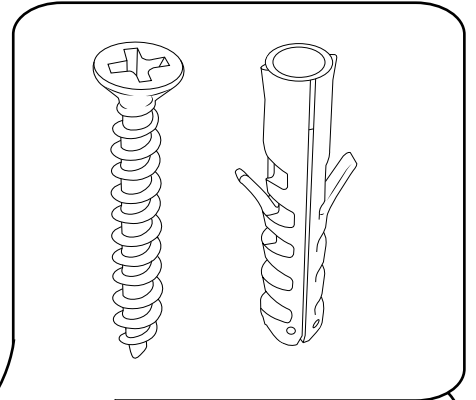
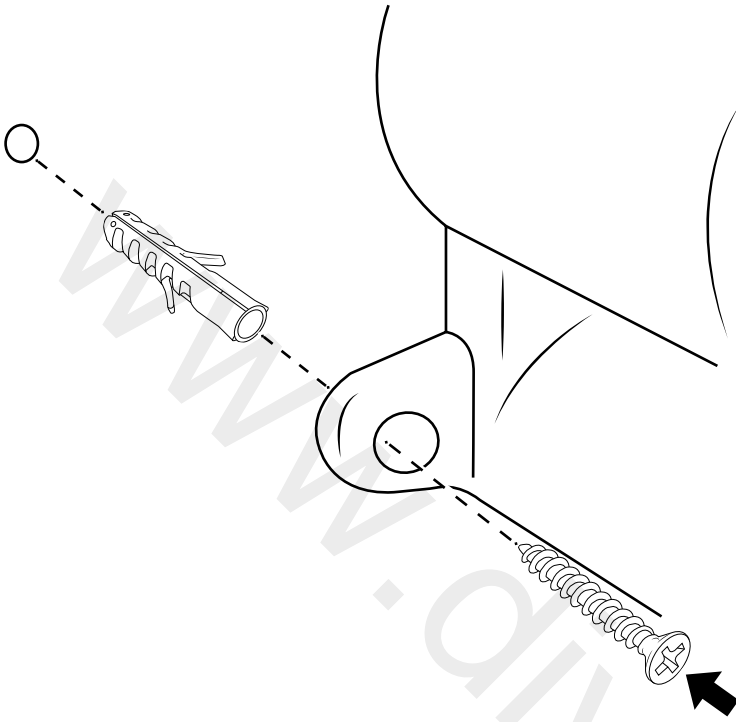
x2



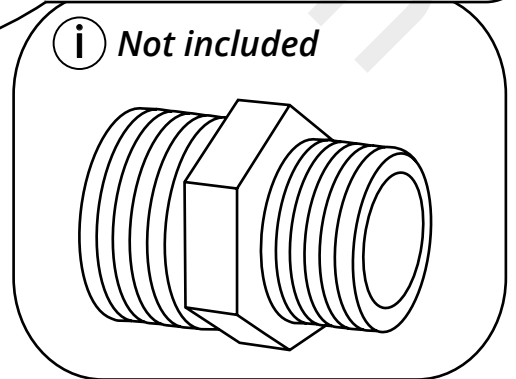
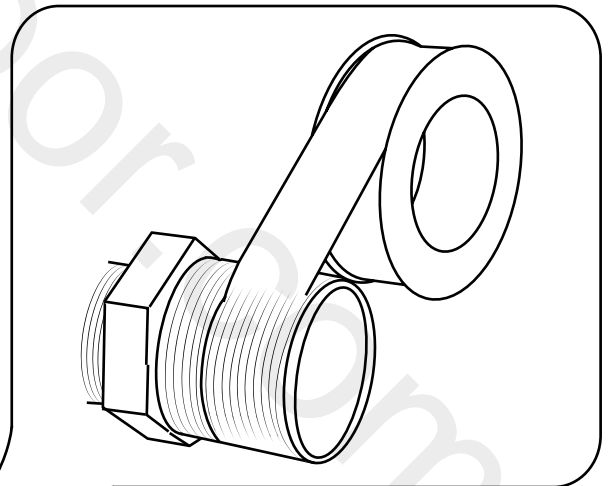
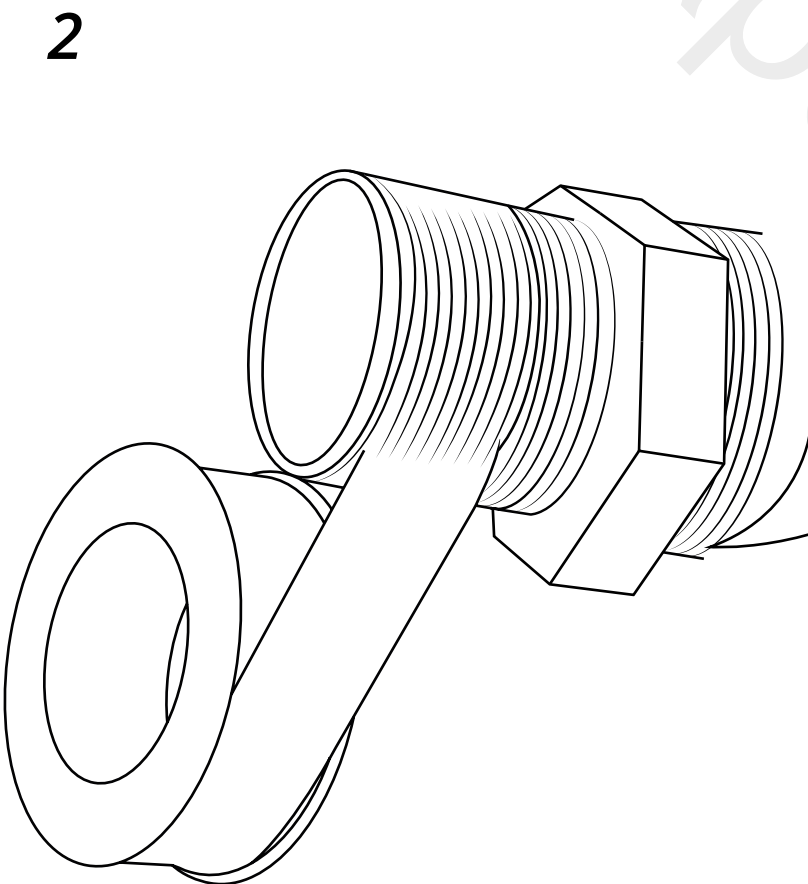
x2



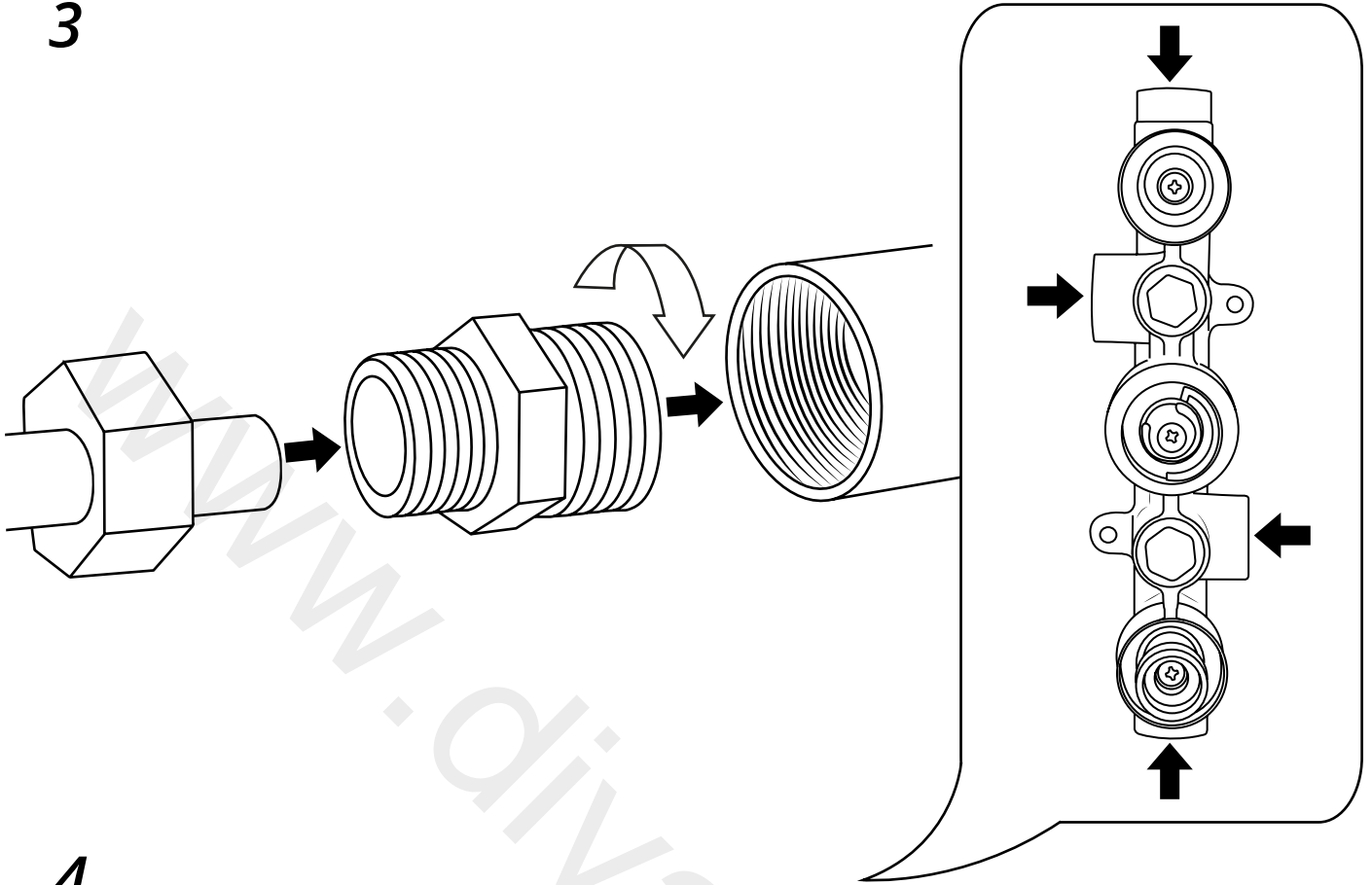
1



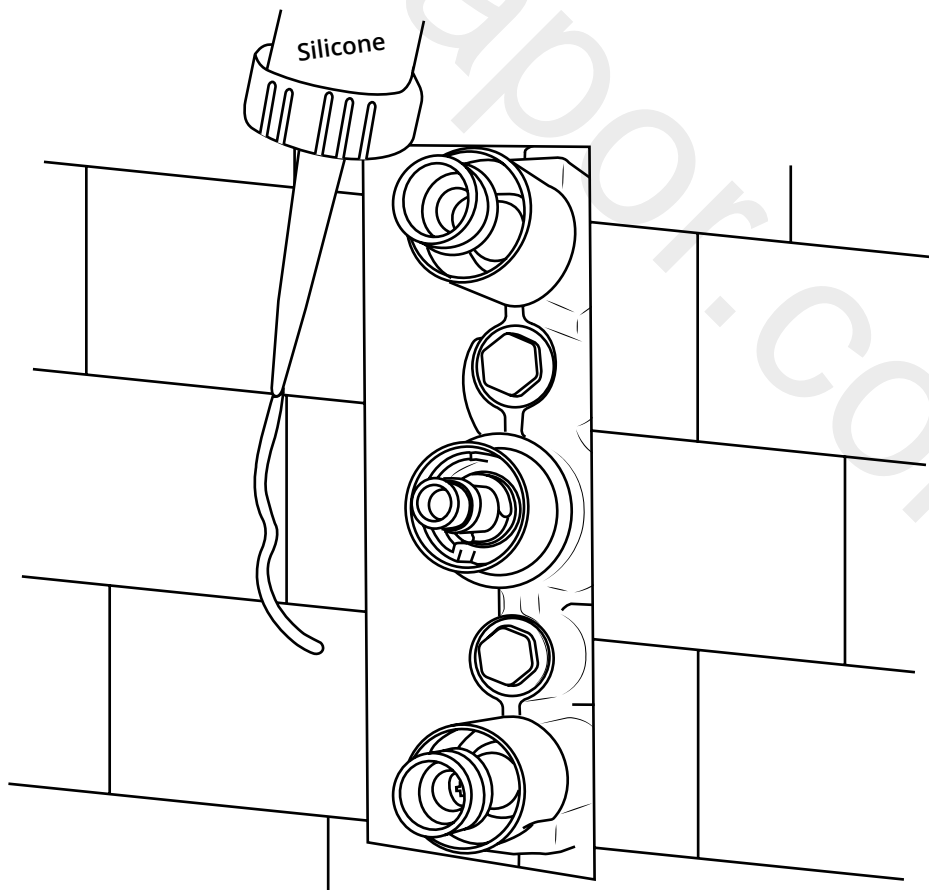
2



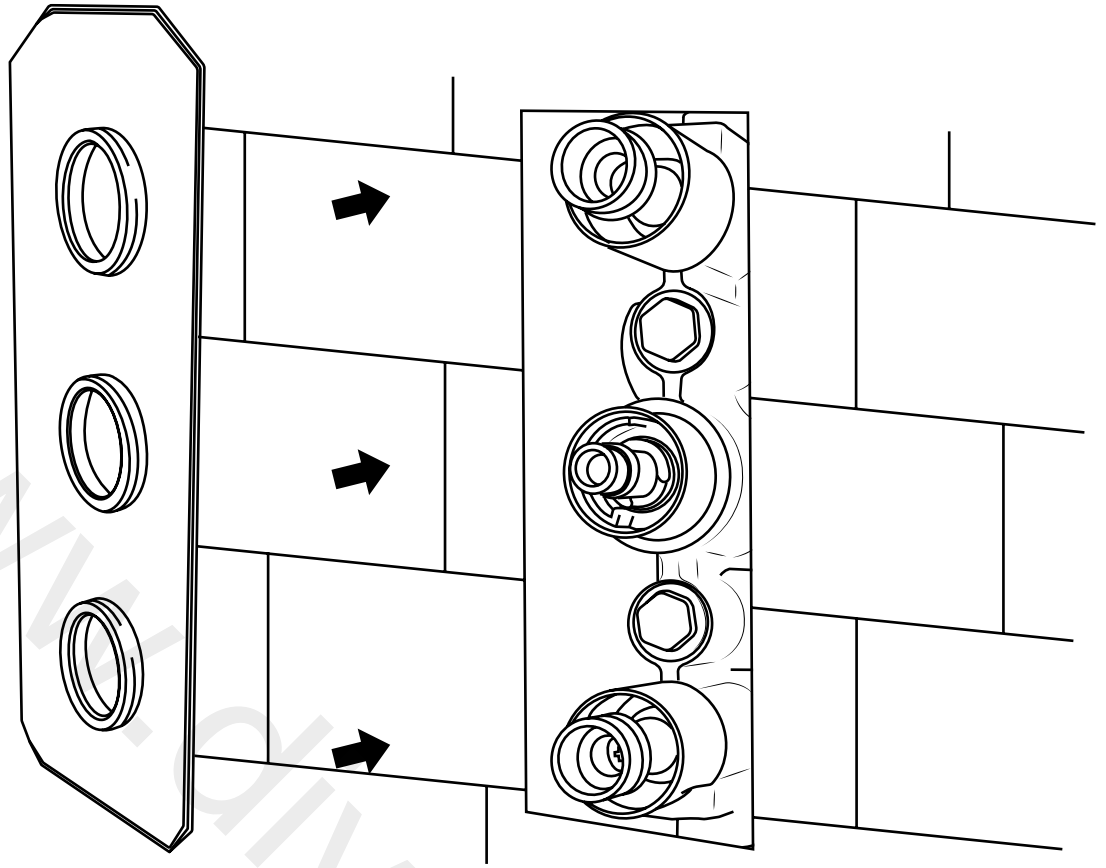
3



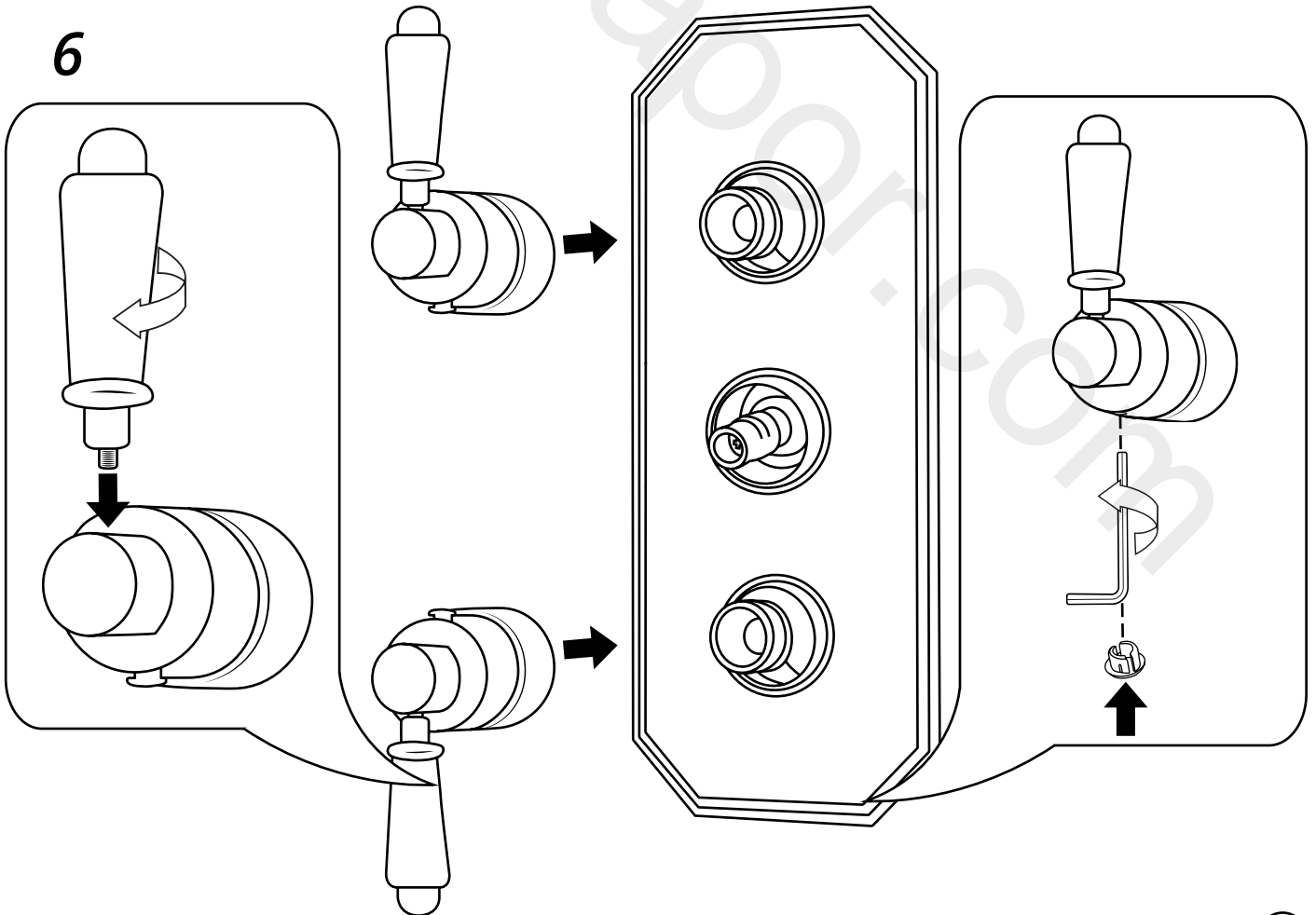
4



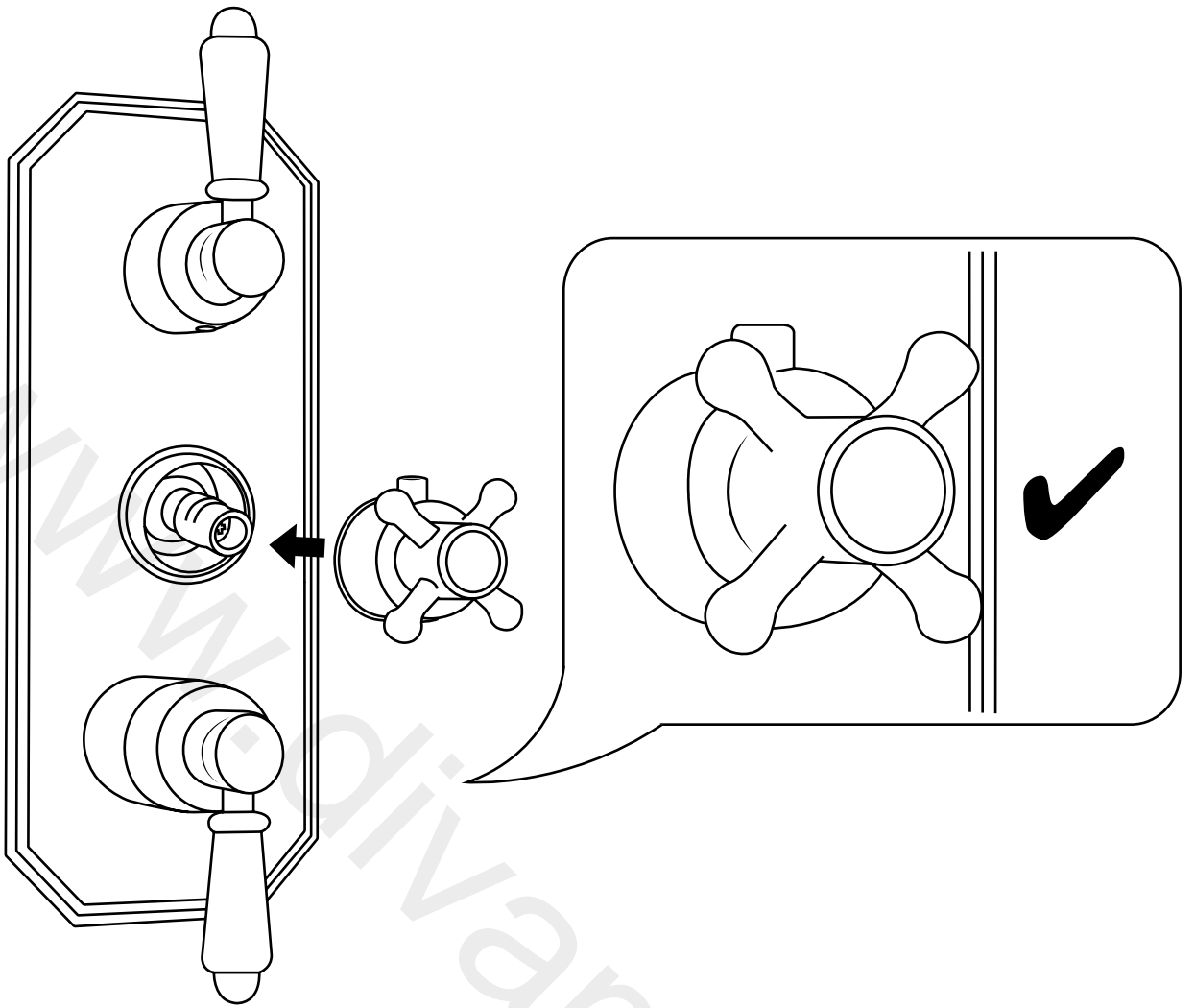
5



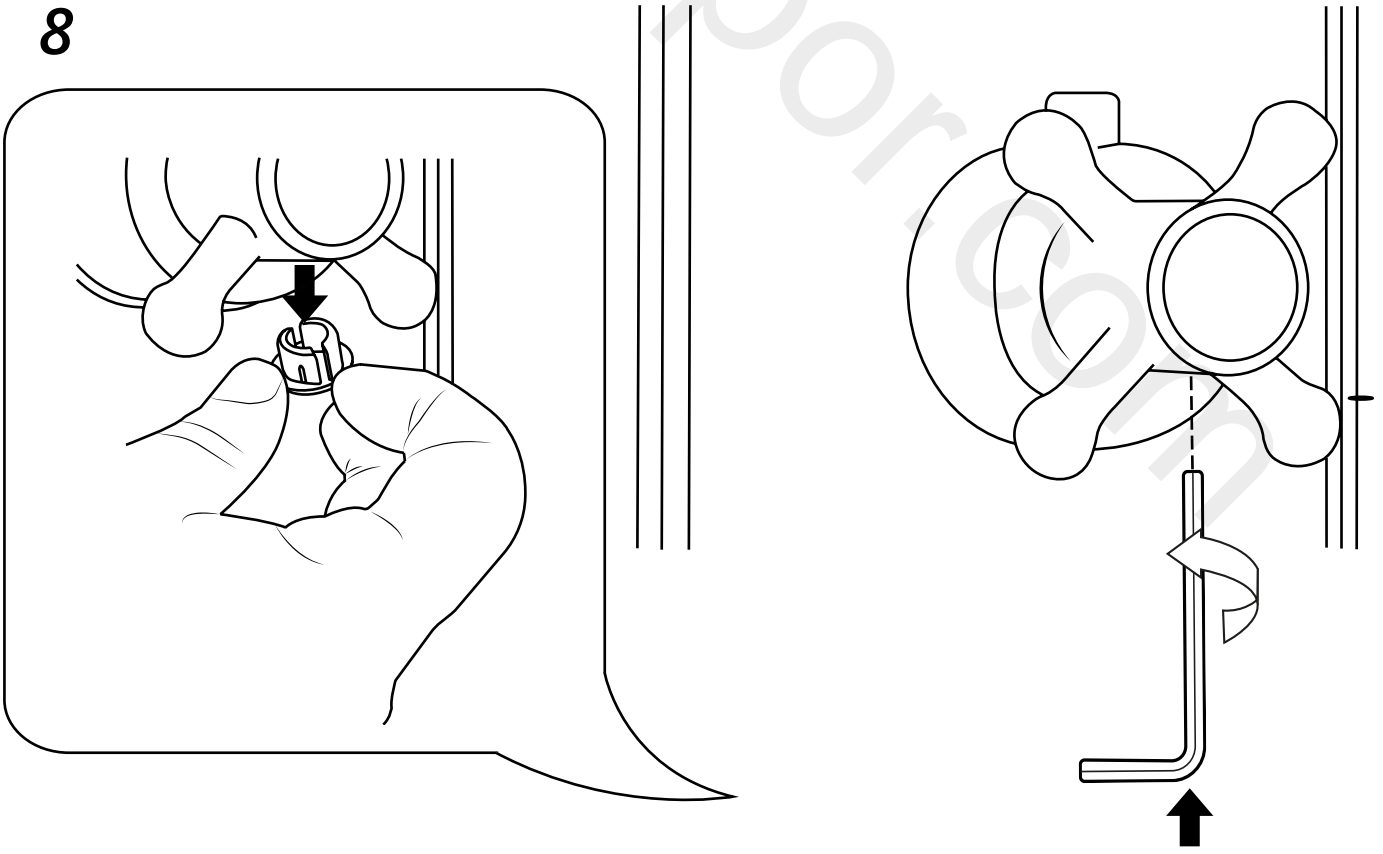
6



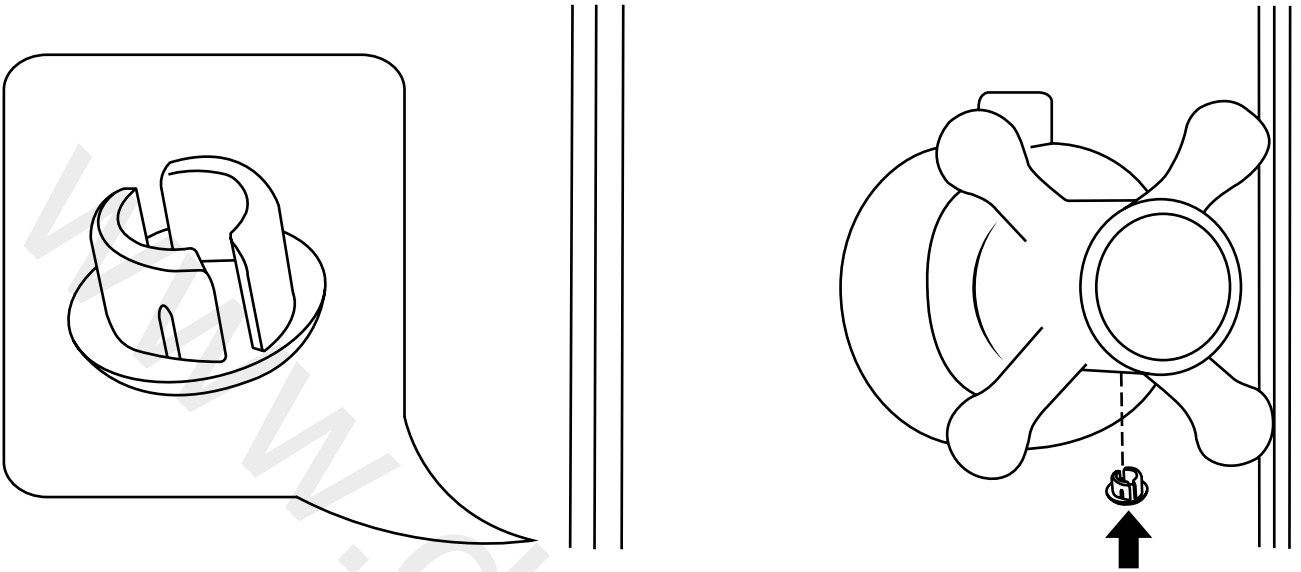
7



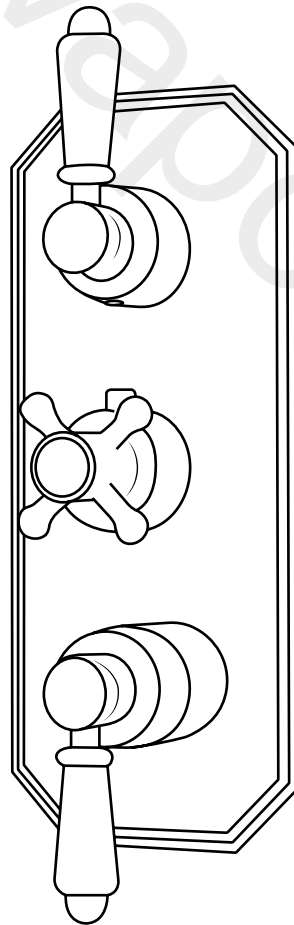
8



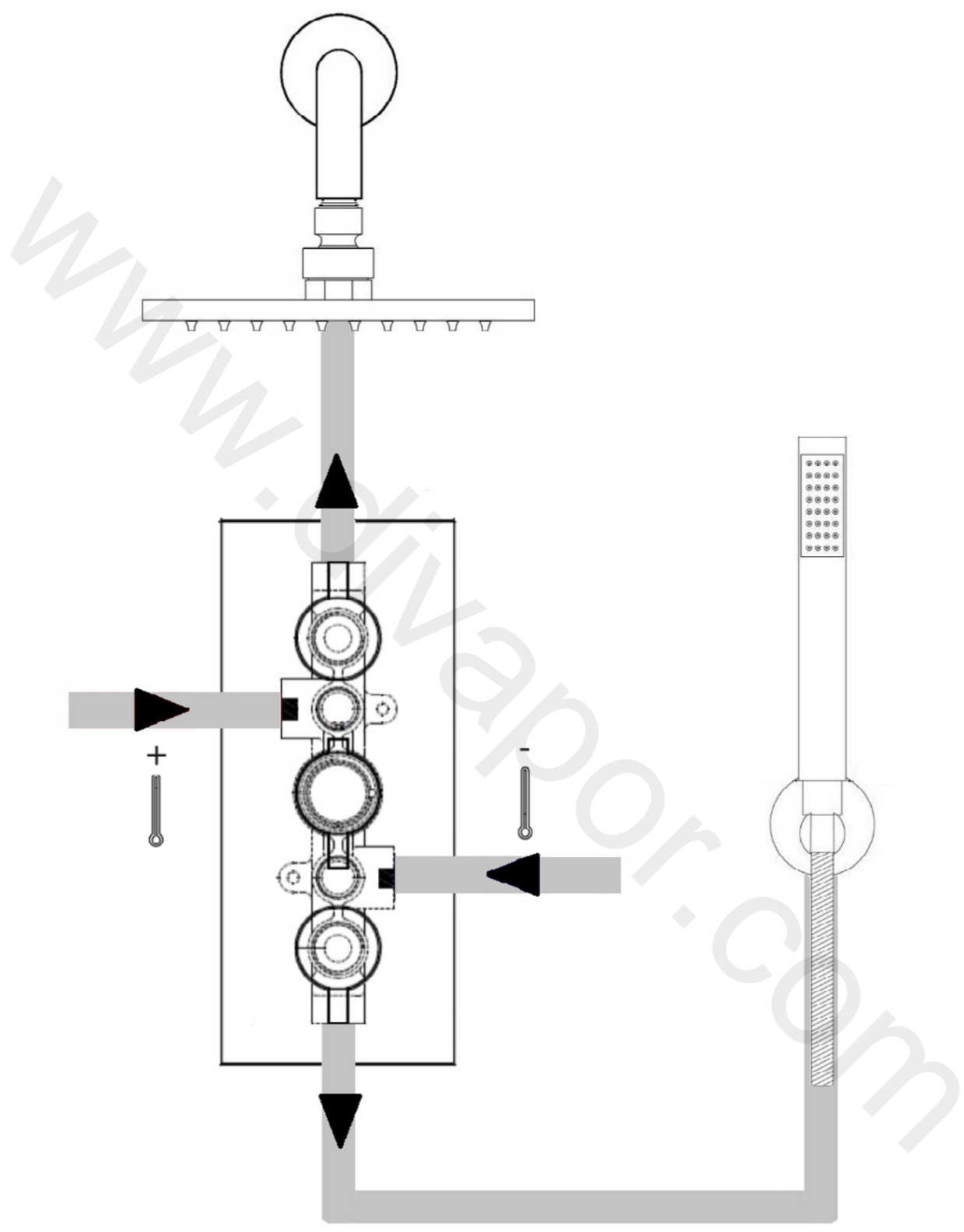
9



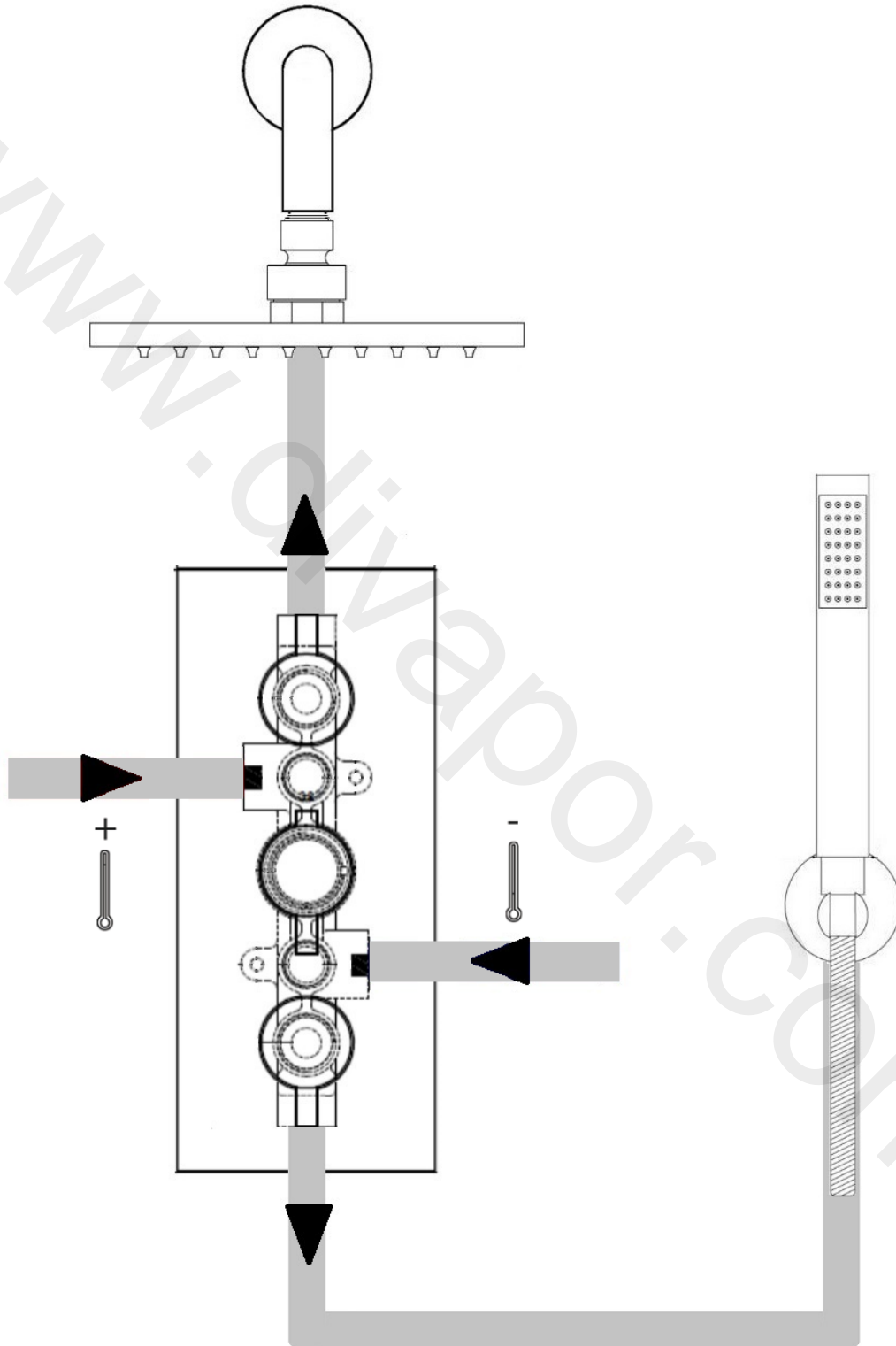
10







## Installation Example



If you require any additional information or have any issues with this product please refer to the website.