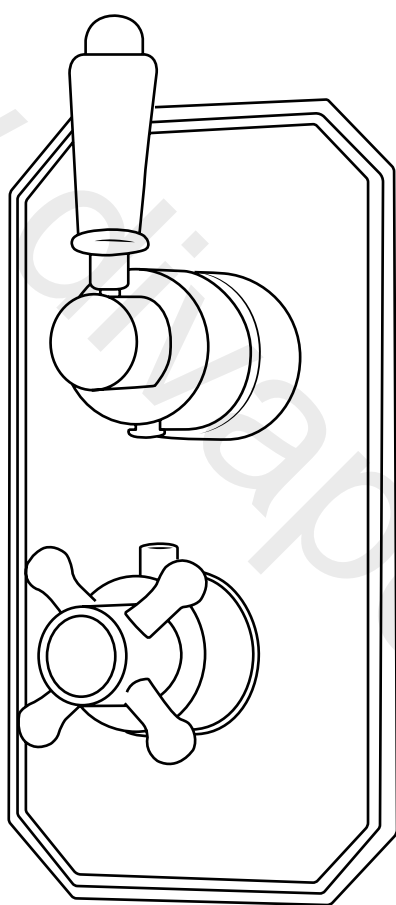


Milano

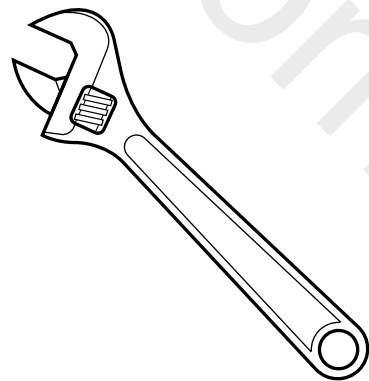
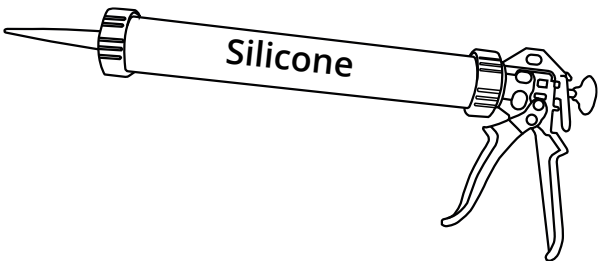
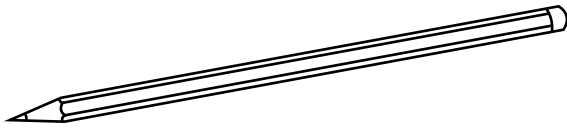
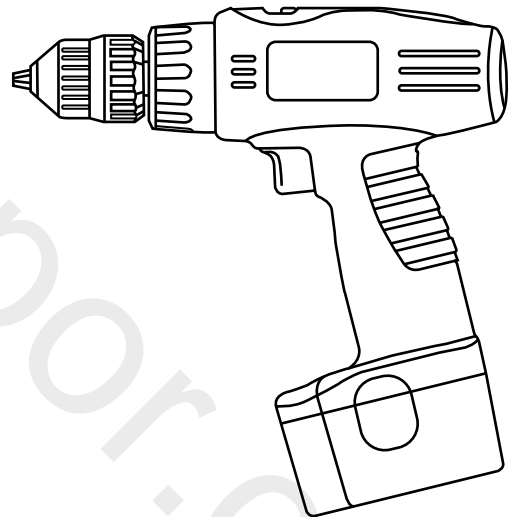
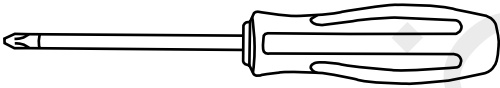
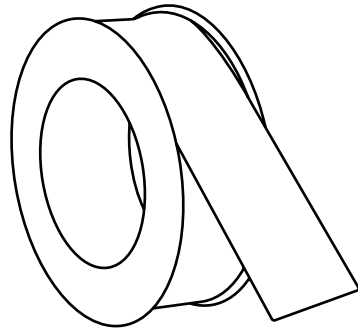
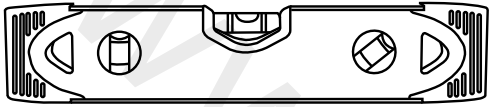
Traditional Twin Valve



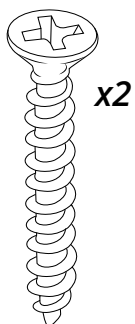
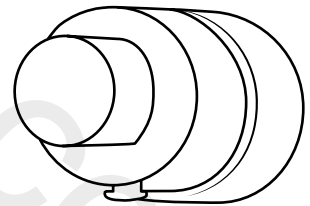
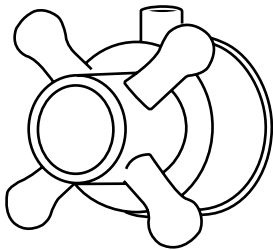
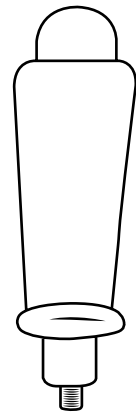
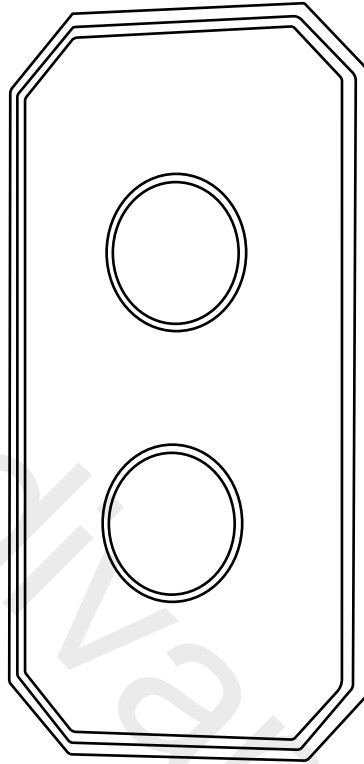
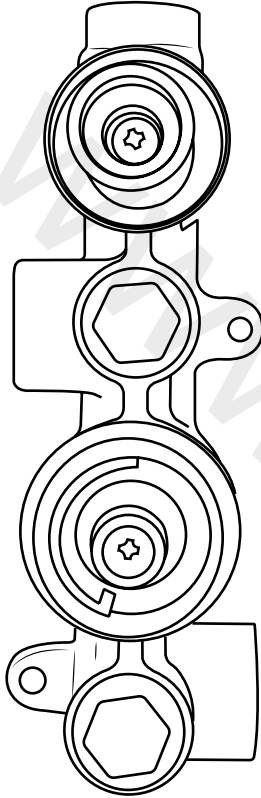
Installation Guide

Installation

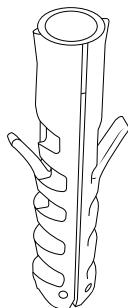
Tools required for installing:



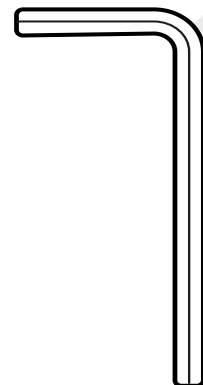
Parts included:



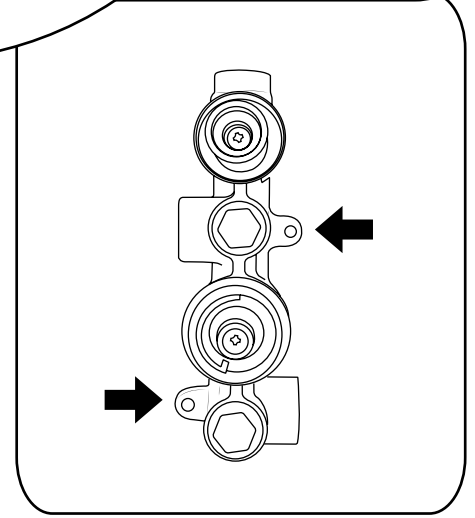
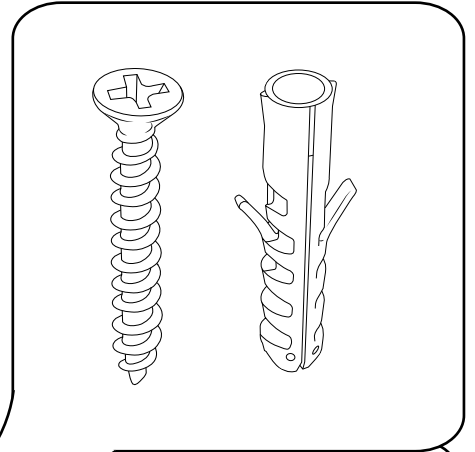
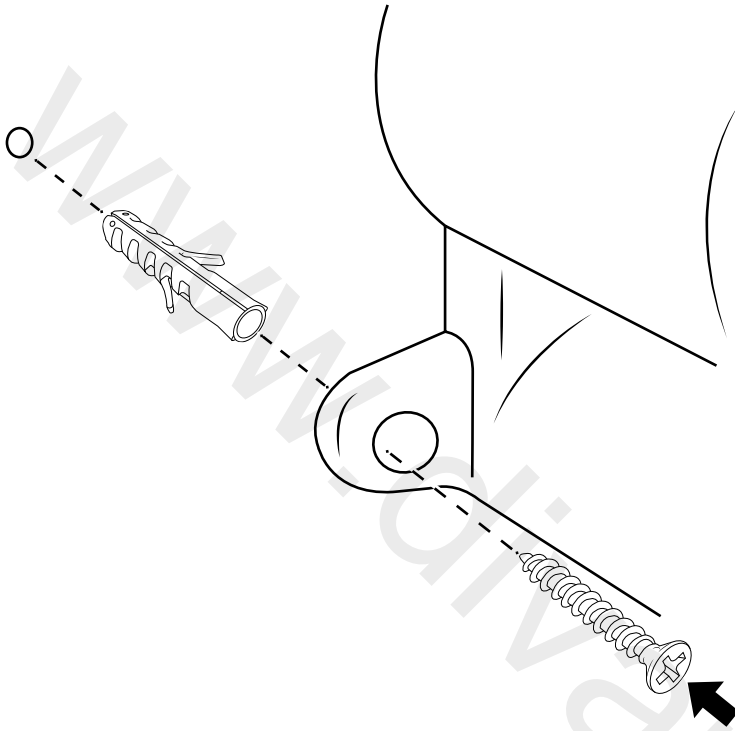
x2



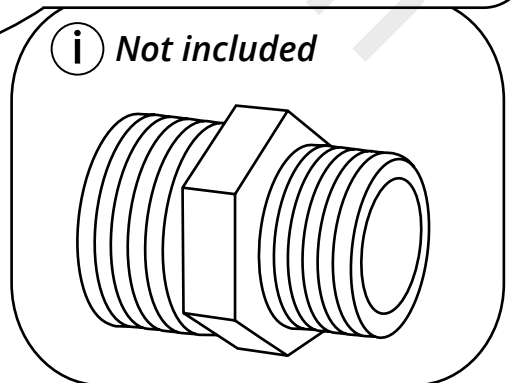
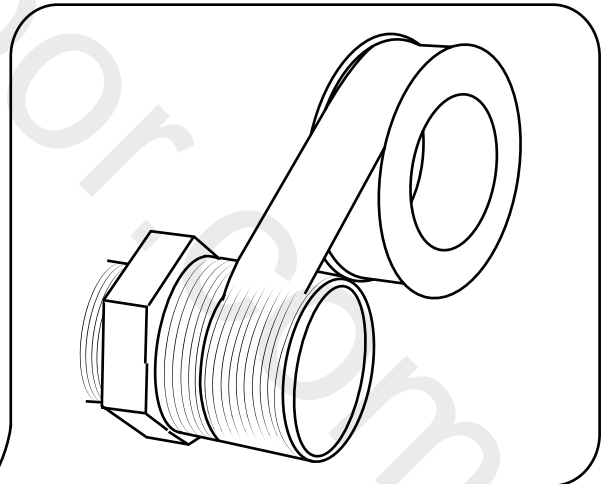
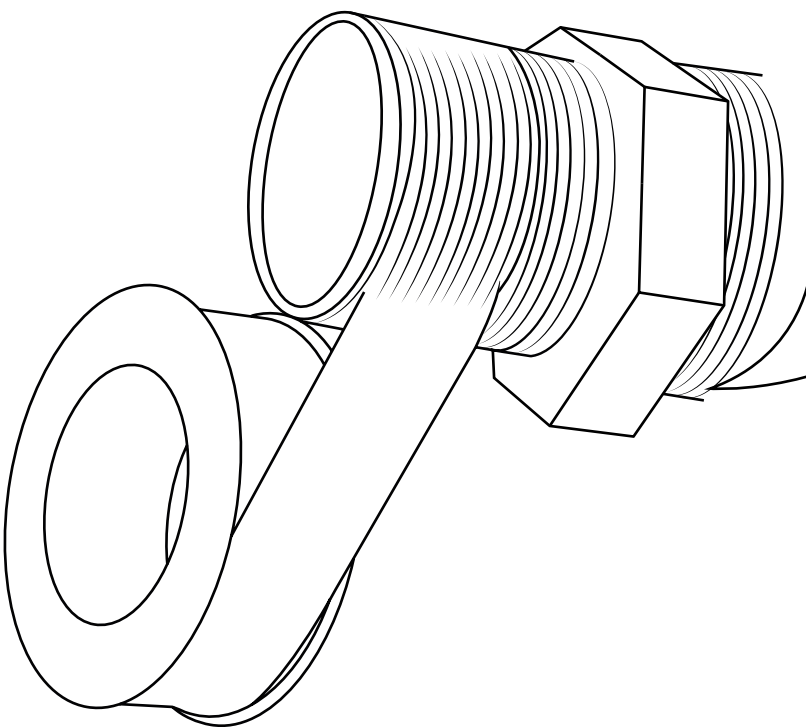
x2



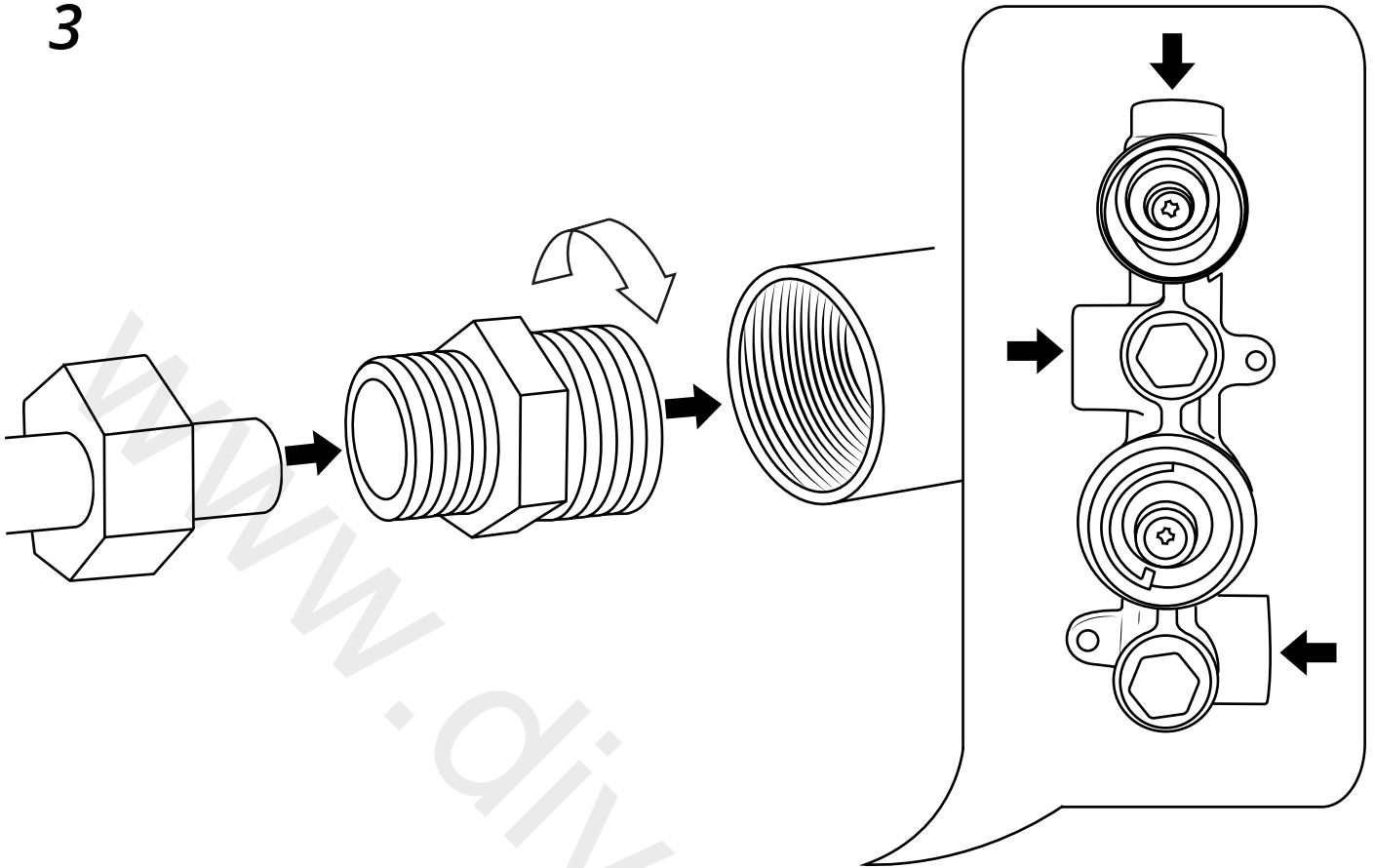
1



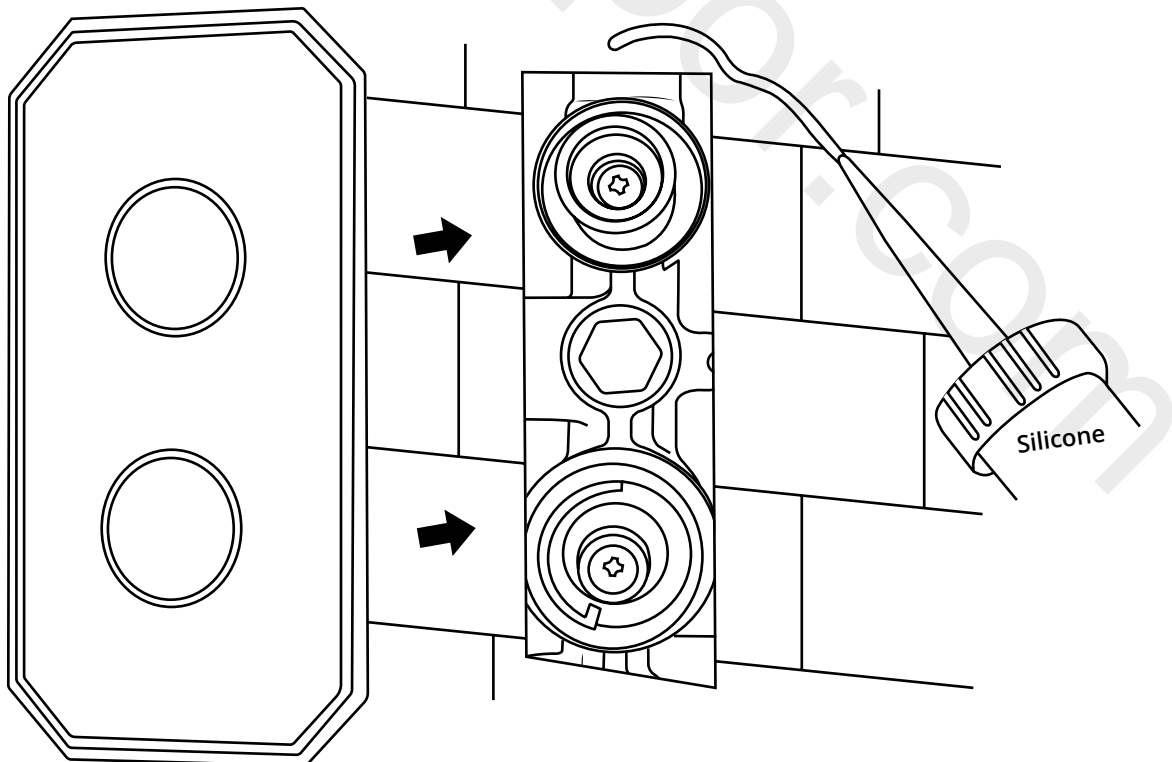
2



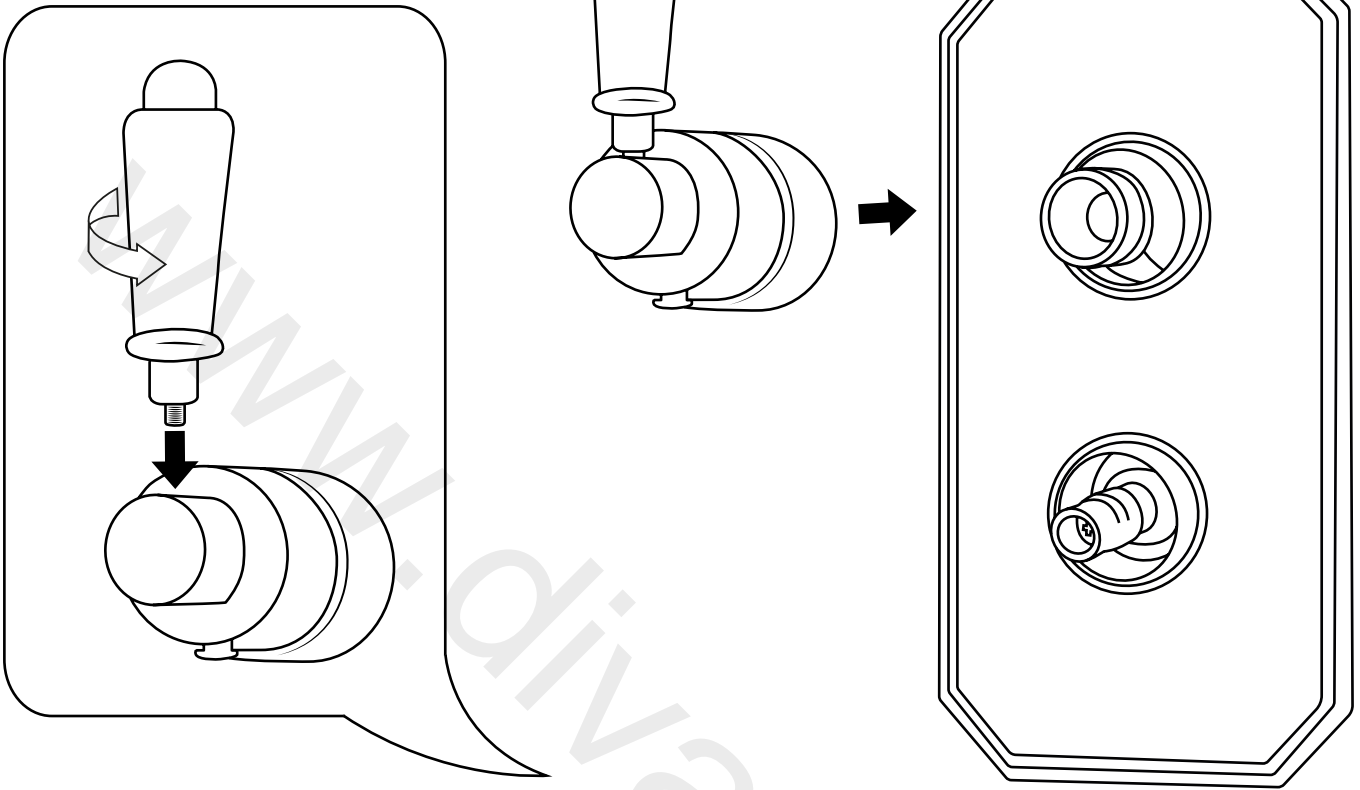
3



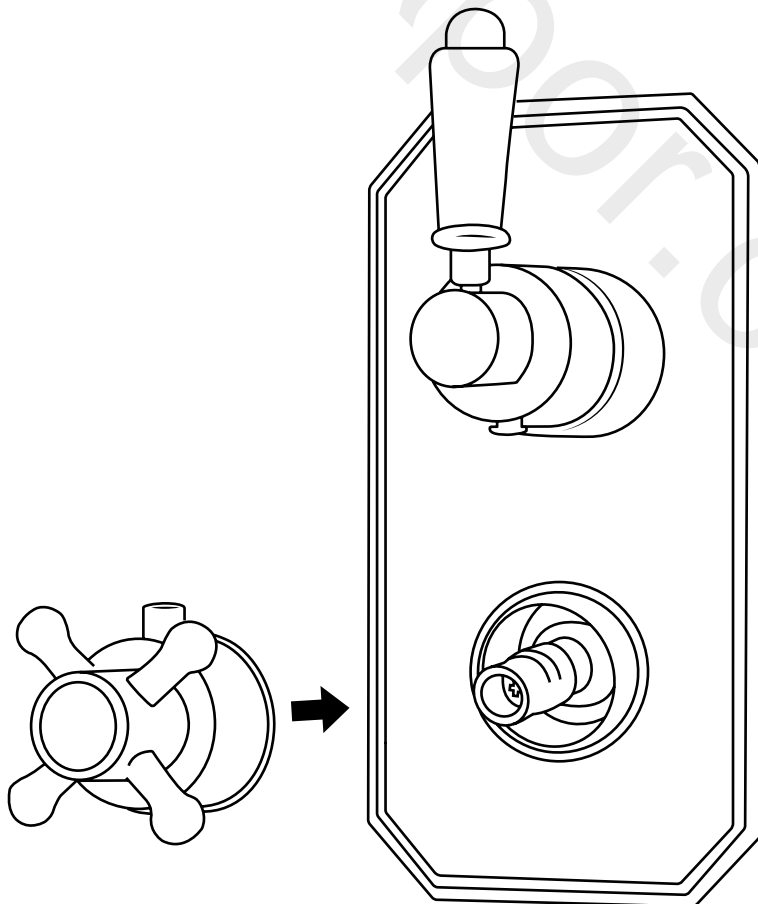
4



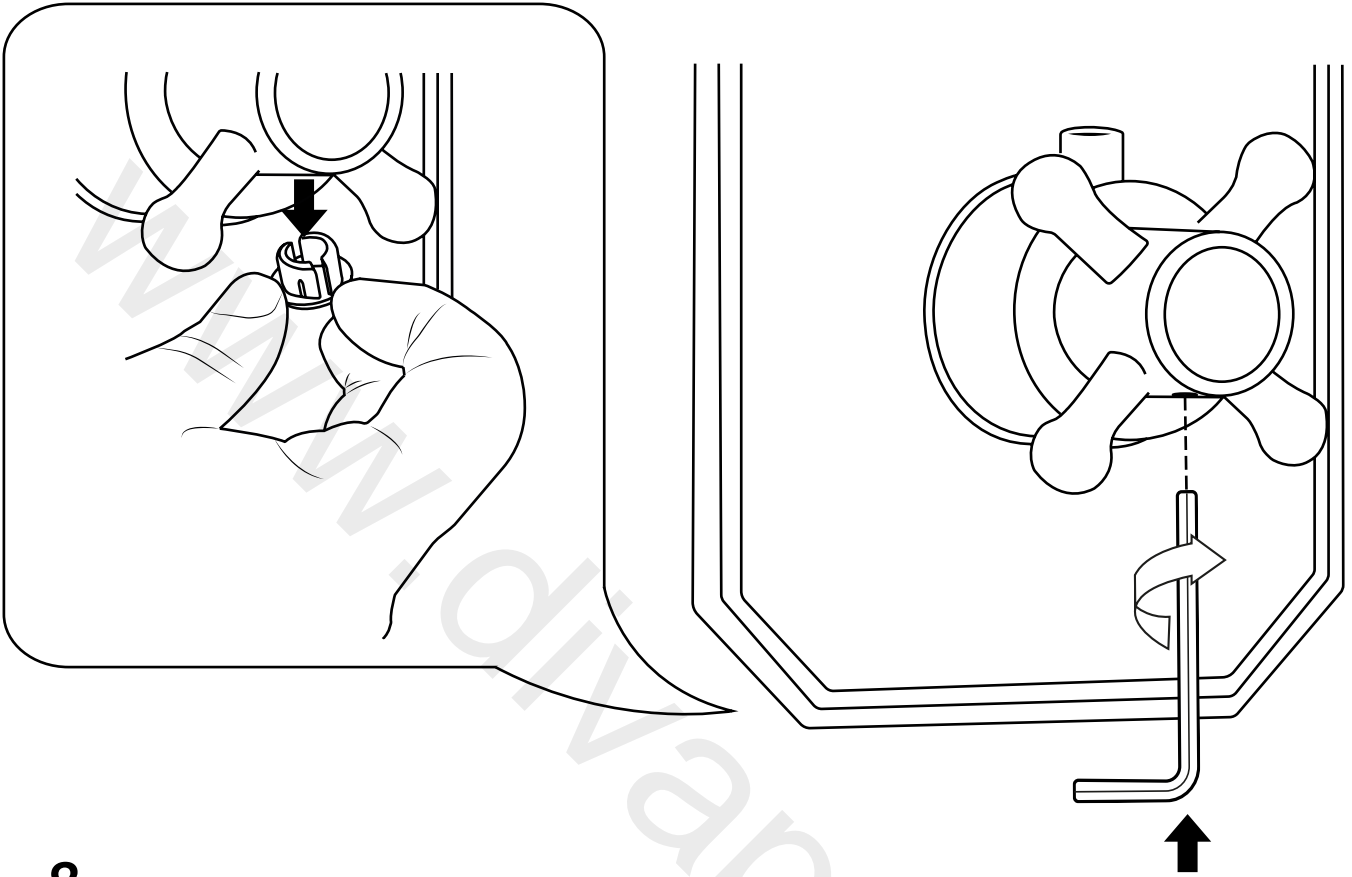
5



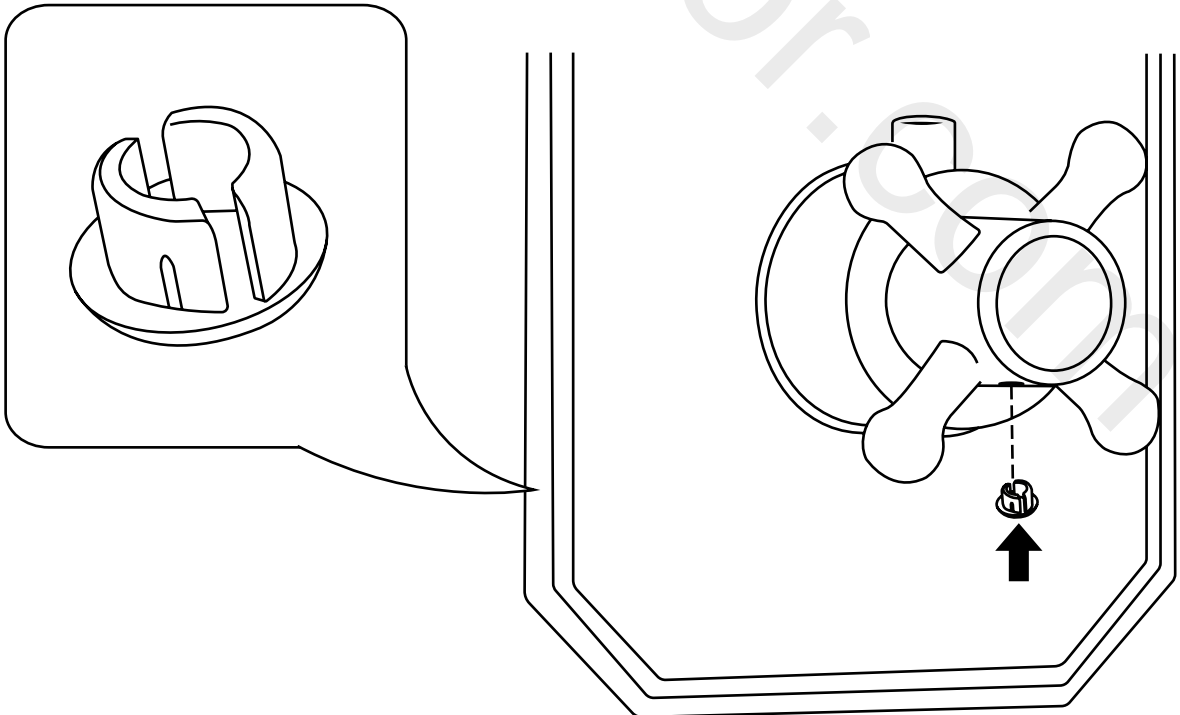
6

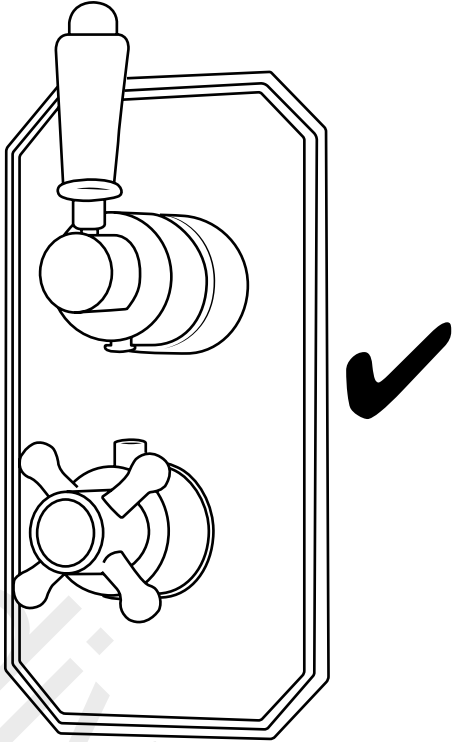


7



8





Installation Example

