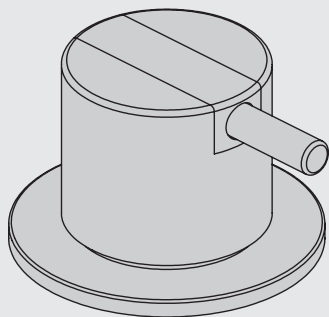


VOLA 500, 590, 500T1
 VOLA 2500
 VOLA SC1, SC3, SC5, SC7, SC9, SC10, SC12

Fitting instruction
 Montageanleitung
 Monteringsvejledning
 Monteringsvægledning
 Montage hanleiding
 Manuel de montage

590:

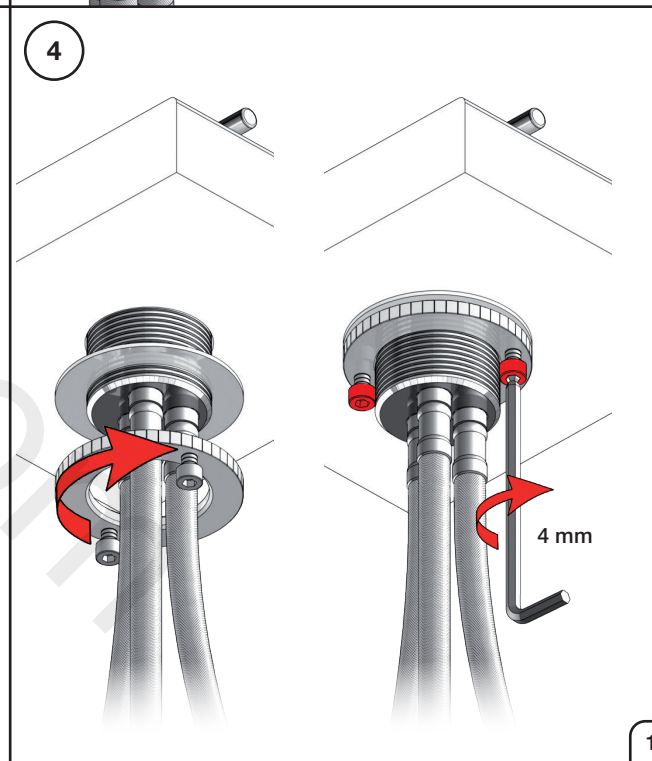
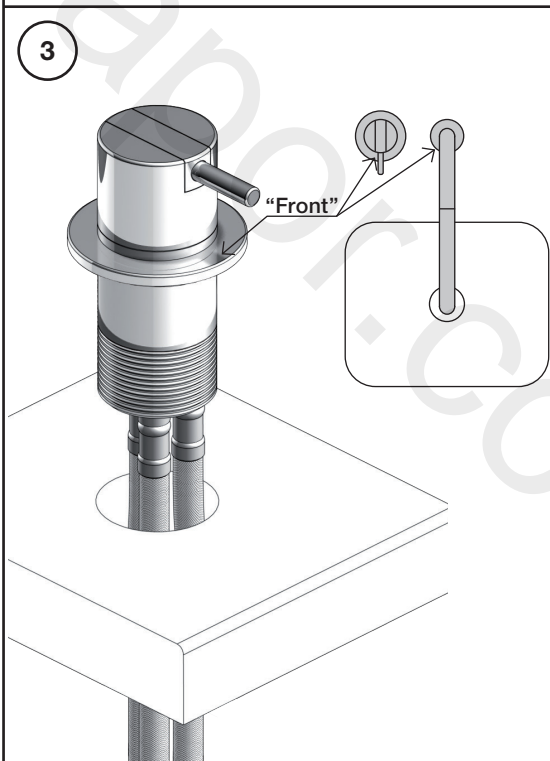
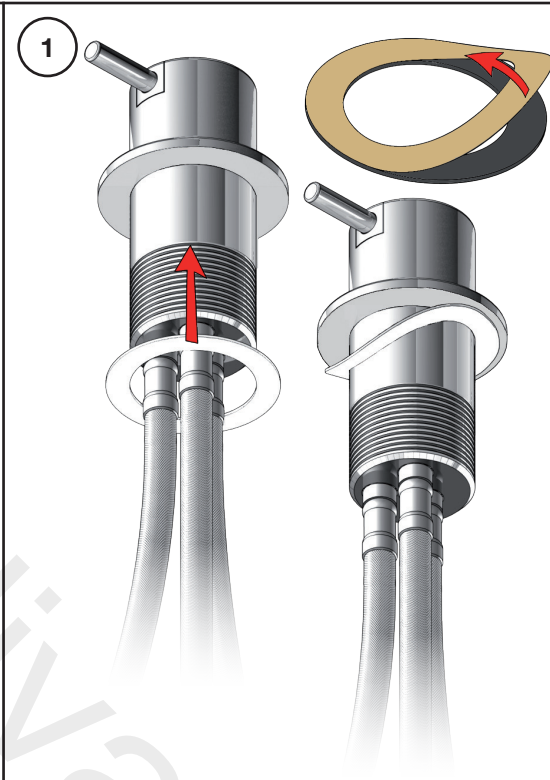
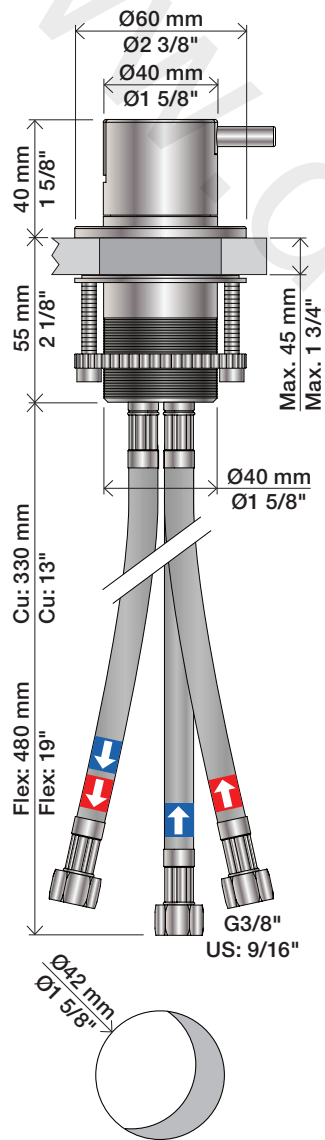


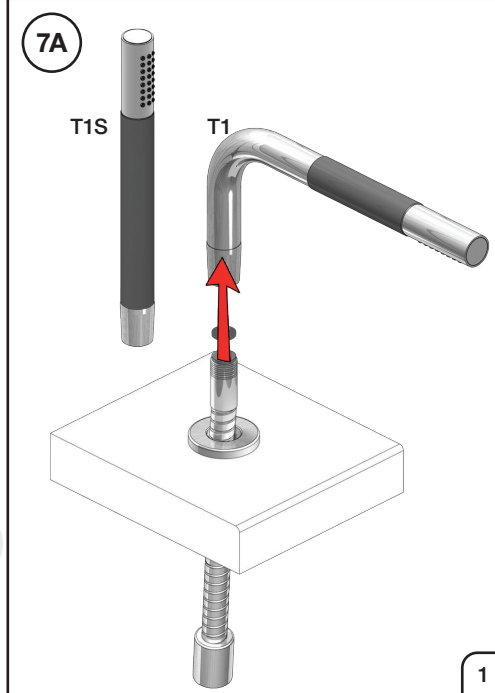
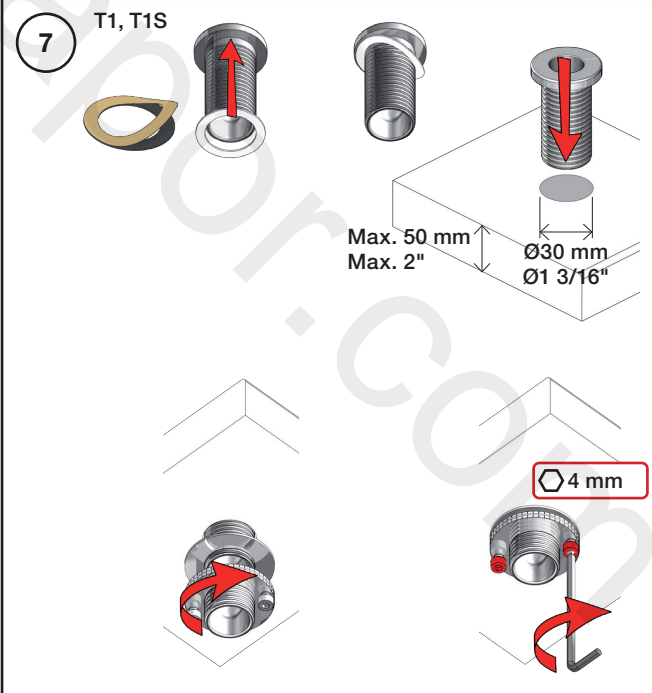
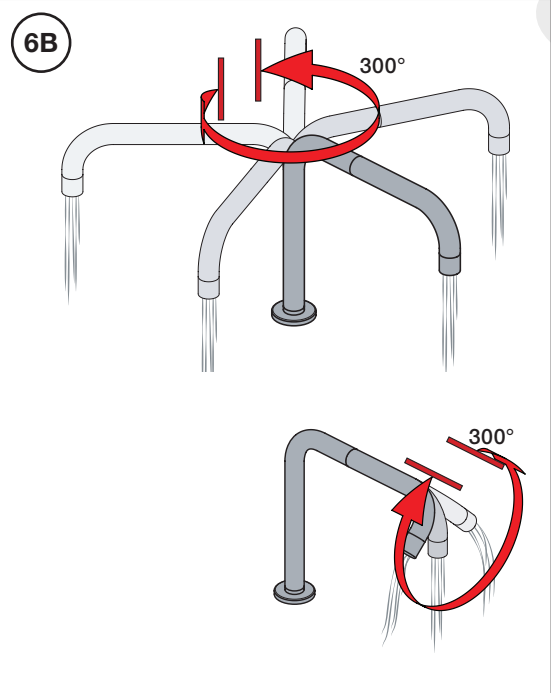
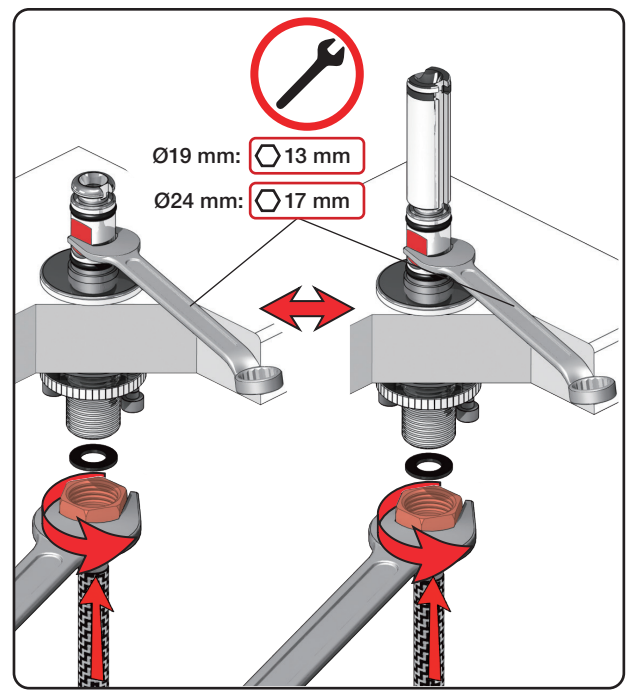
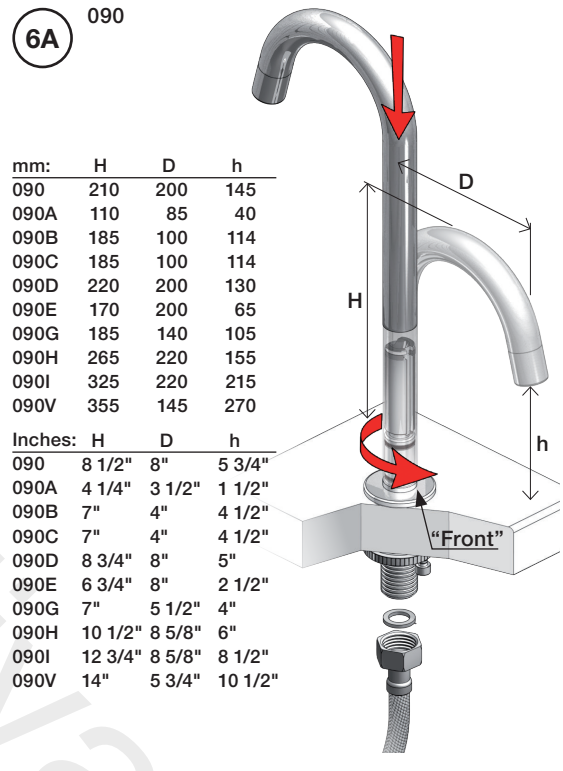
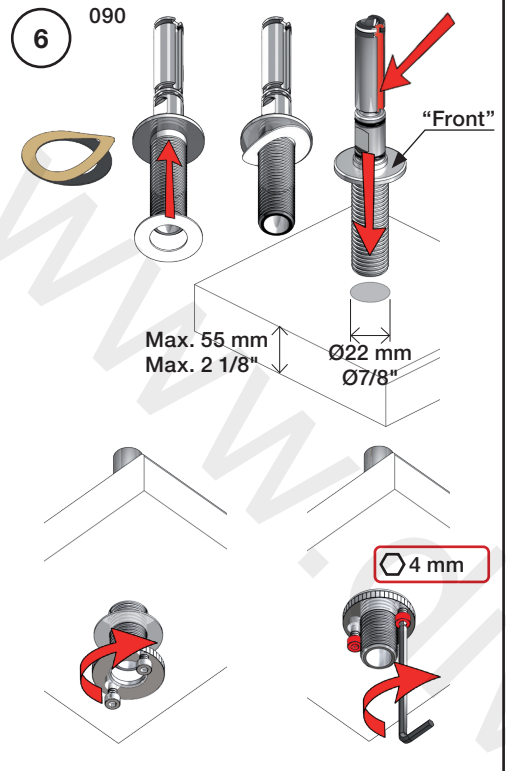
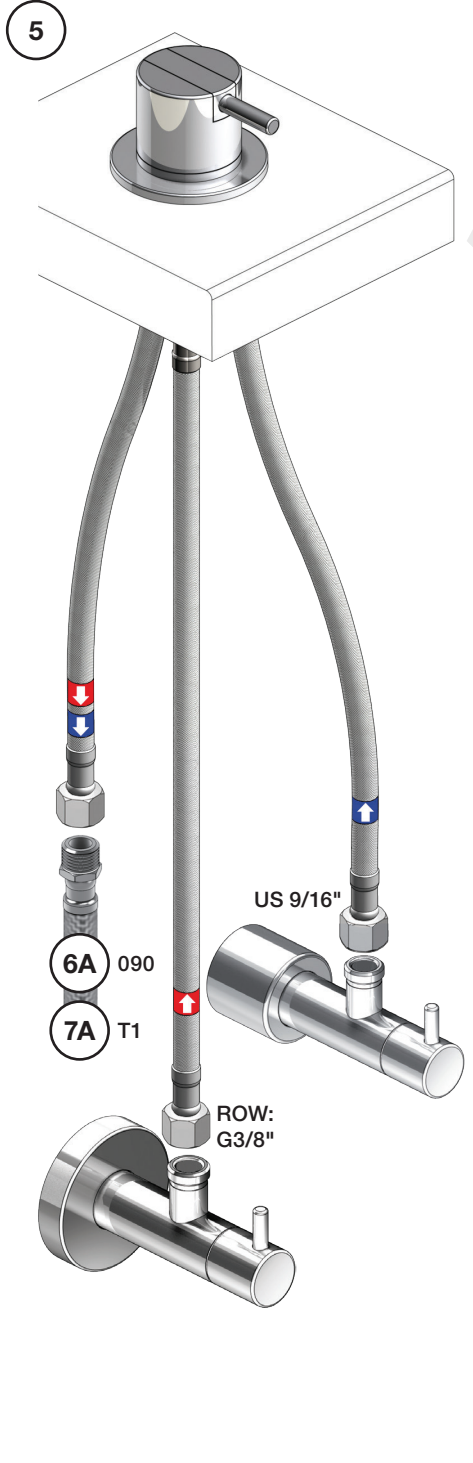
Data, 3 Bar /43.5 Psi:

	l/min.	Gal/min.
500:	14,5	3,8
590:	9,0	2,4
500-T1:	11,0	2,9
2500:	18,7	4,9
SC1:	18,7	4,9
SC5, 7:	18,0	4,8
SC9:	11,0	2,9

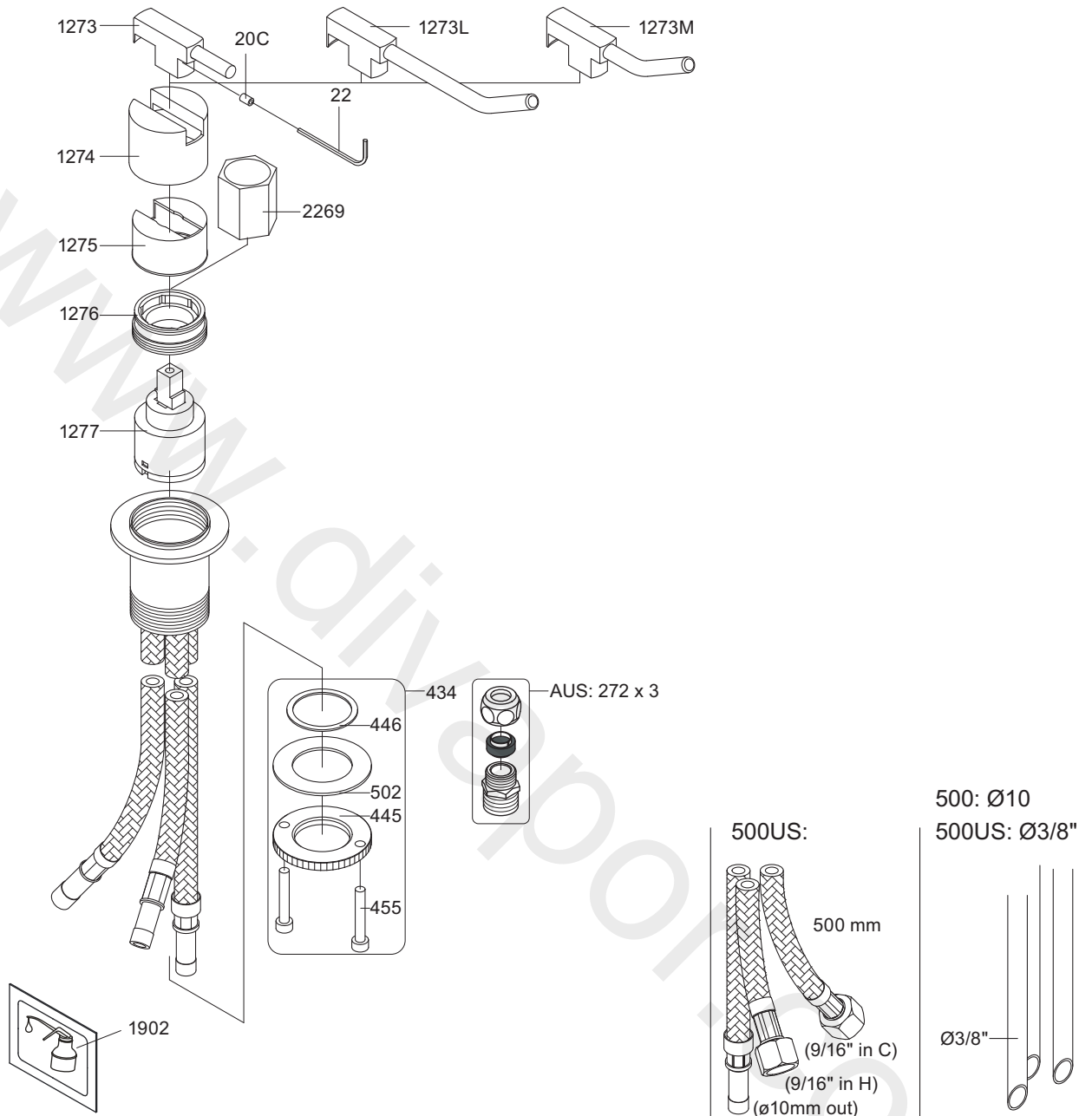
Max. 65°C, 150°F

500/2500:

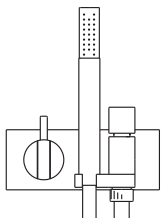




2500:



VR1277K: VR22, VR2269, VR1277
 VR434: 2xVR455, VR445, VR446, VR502
 NR.11: VR20, VR22, VR1273, VR1274, VR1275



VOLA A/S
 Lunavej 2
 DK-8700 Horsens
 Tlf : + 45 7023 5500
 Fax: + 45 7023 5511
 sales@vola.com
 www.vola.com

VOLA 2500 SC1

Dato

Okt. 16

Rev.

3

Blad

SB 10.15