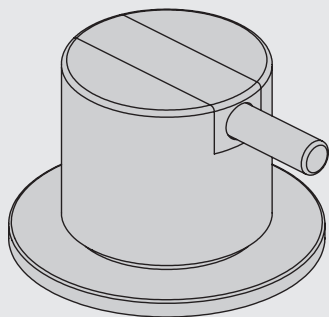


VOLA 500, 590, 500T1  
 VOLA 2500  
 VOLA SC1, SC3, SC5, SC7, SC9, SC10, SC12

Fitting instruction  
 Montageanleitung  
 Monteringsvejledning  
 Monteringsvægledning  
 Montage hanleiding  
 Manuel de montage

590:

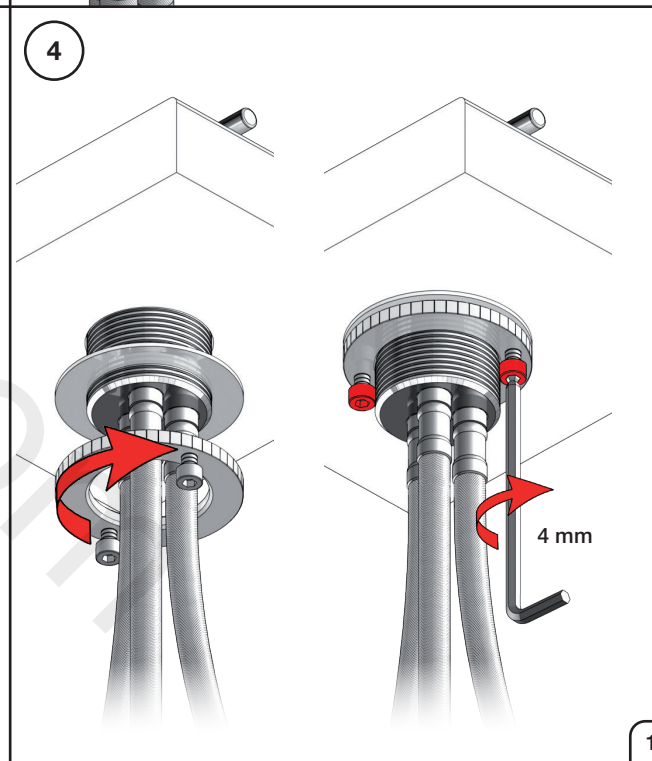
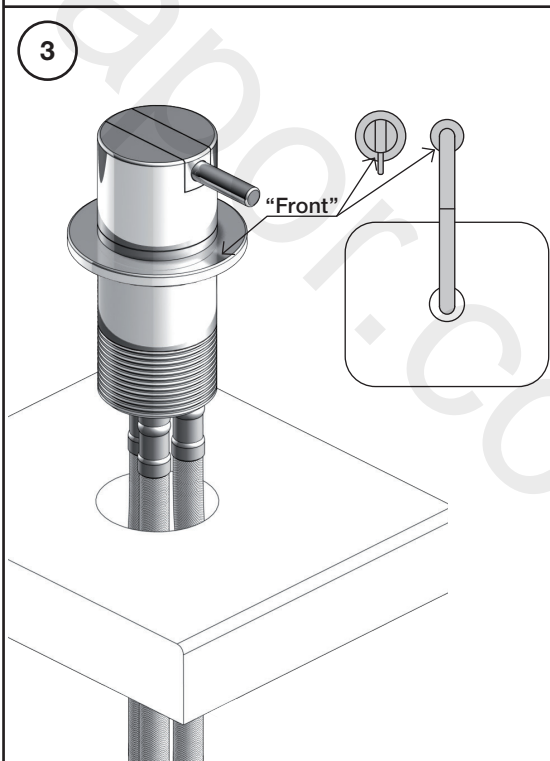
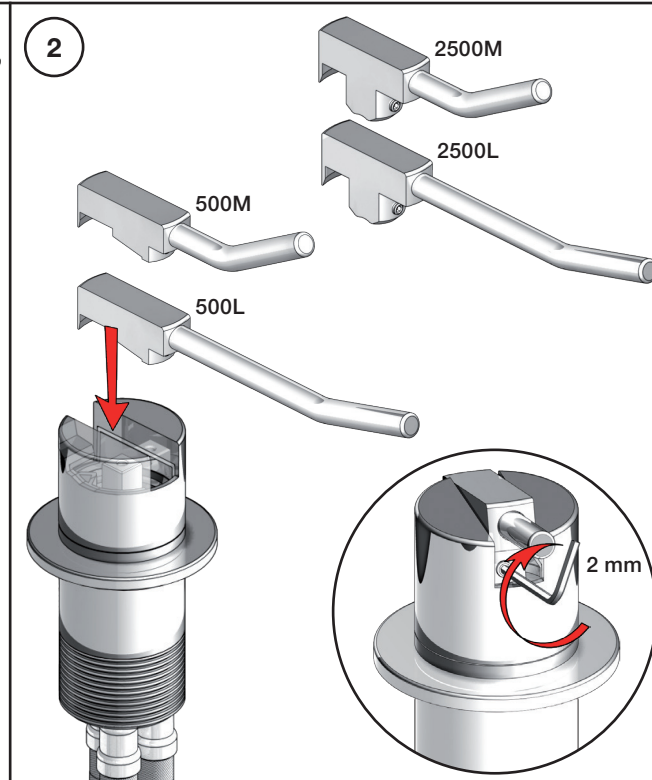
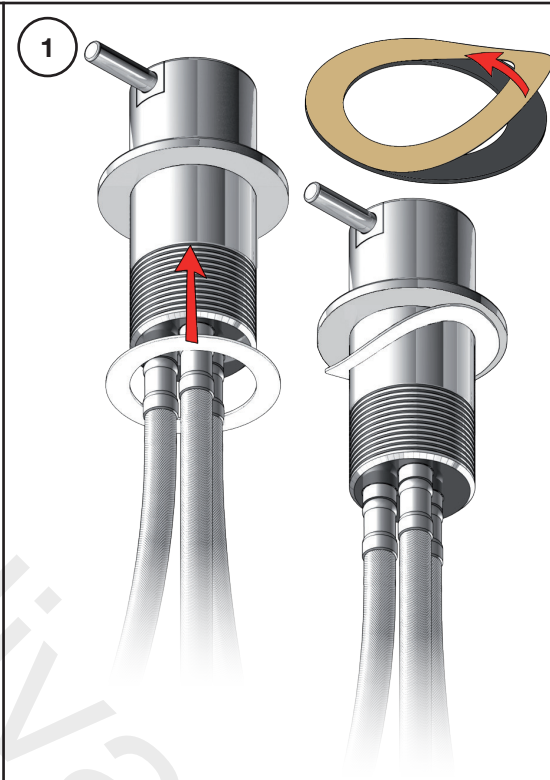
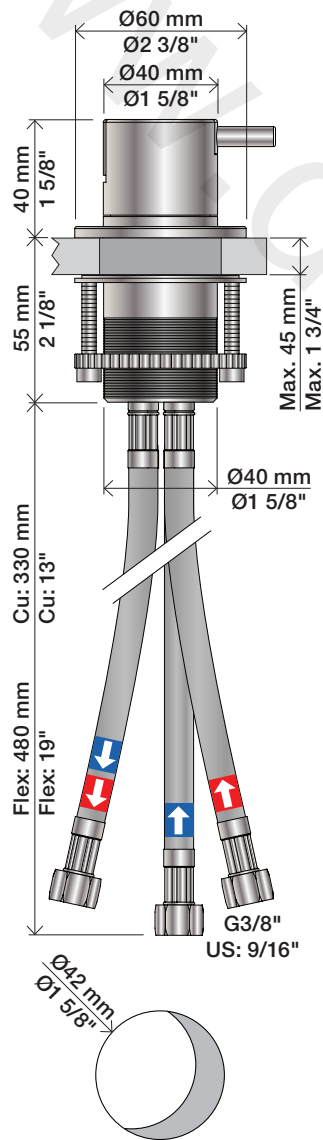


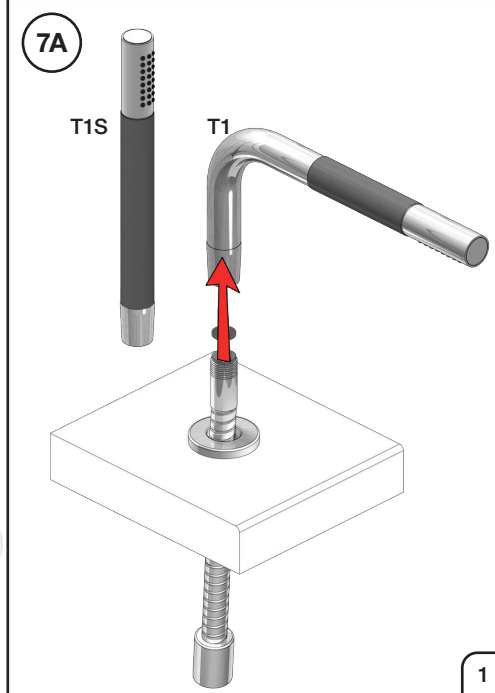
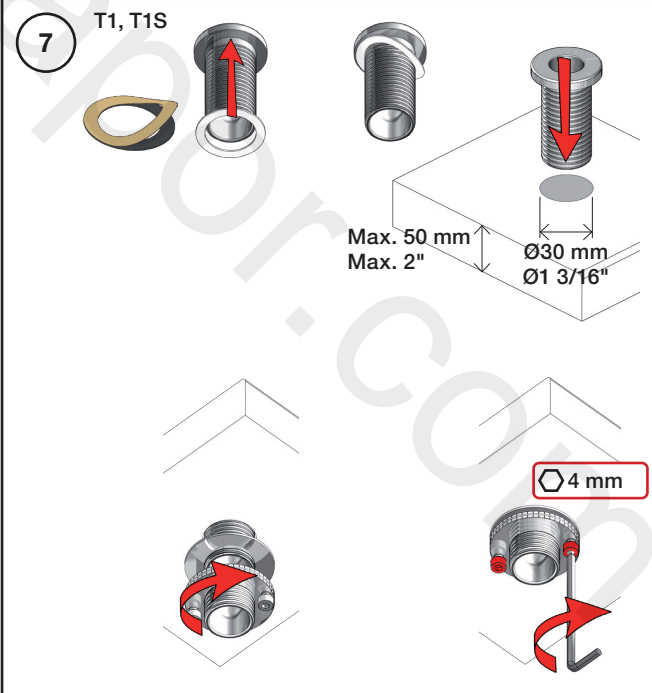
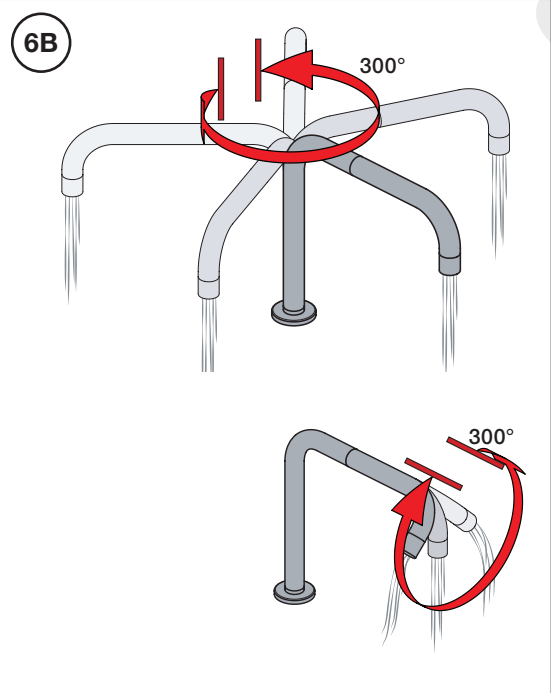
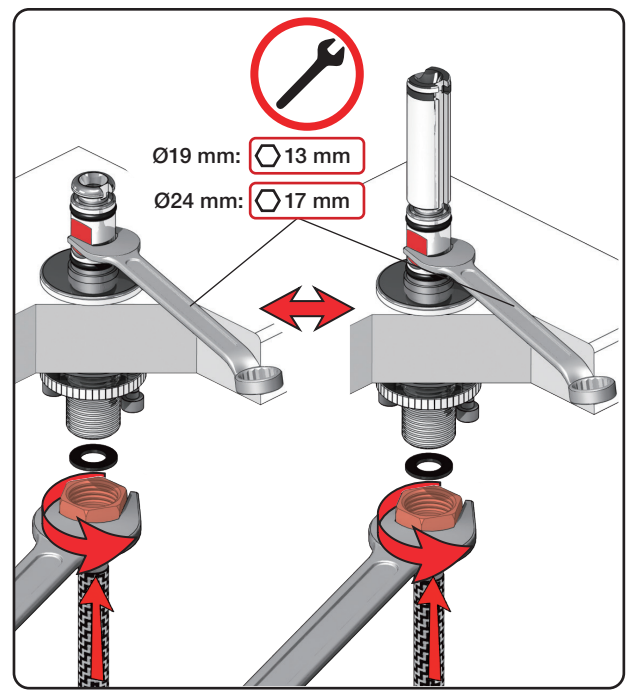
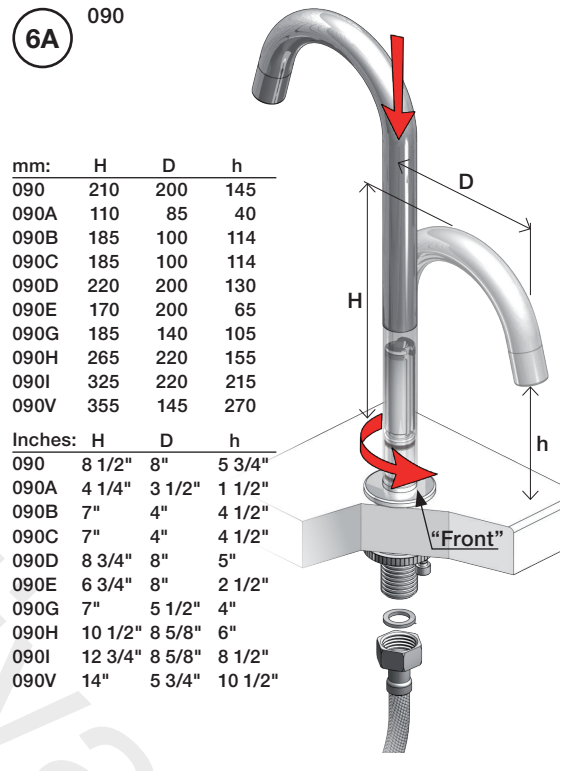
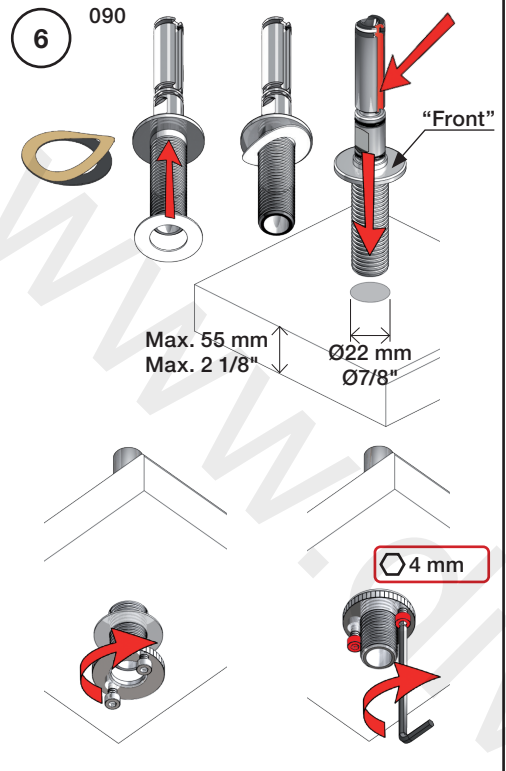
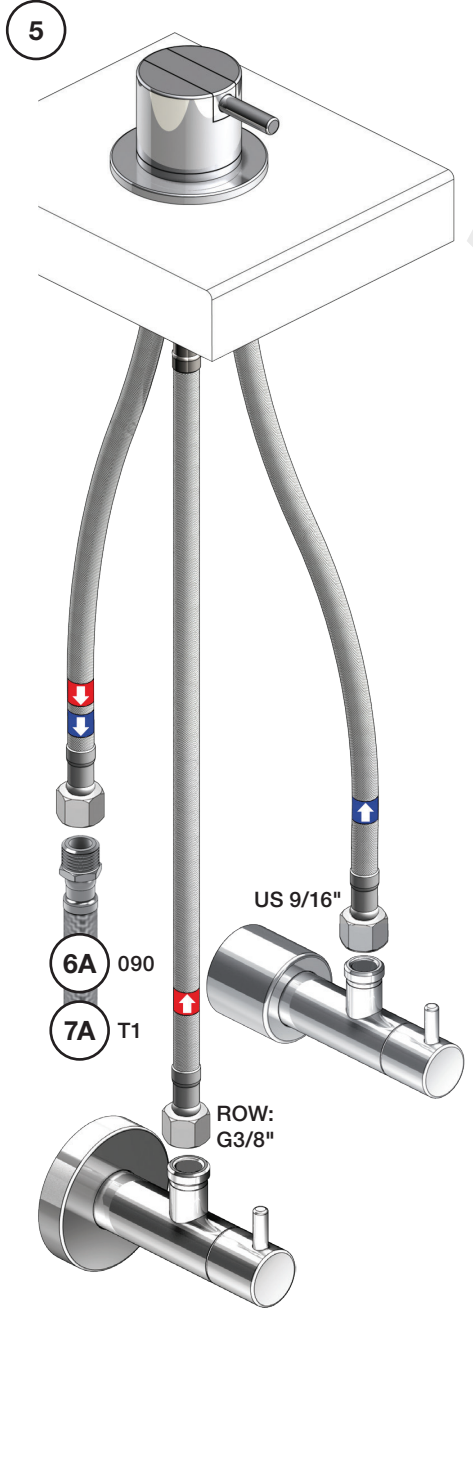
**Data, 3 Bar /43.5 Psi:**

	l/min.	Gal/min.
500:	14,5	3,8
590:	9,0	2,4
500-T1:	11,0	2,9
2500:	18,7	4,9
SC1:	18,7	4,9
SC5, 7:	18,0	4,8
SC9:	11,0	2,9

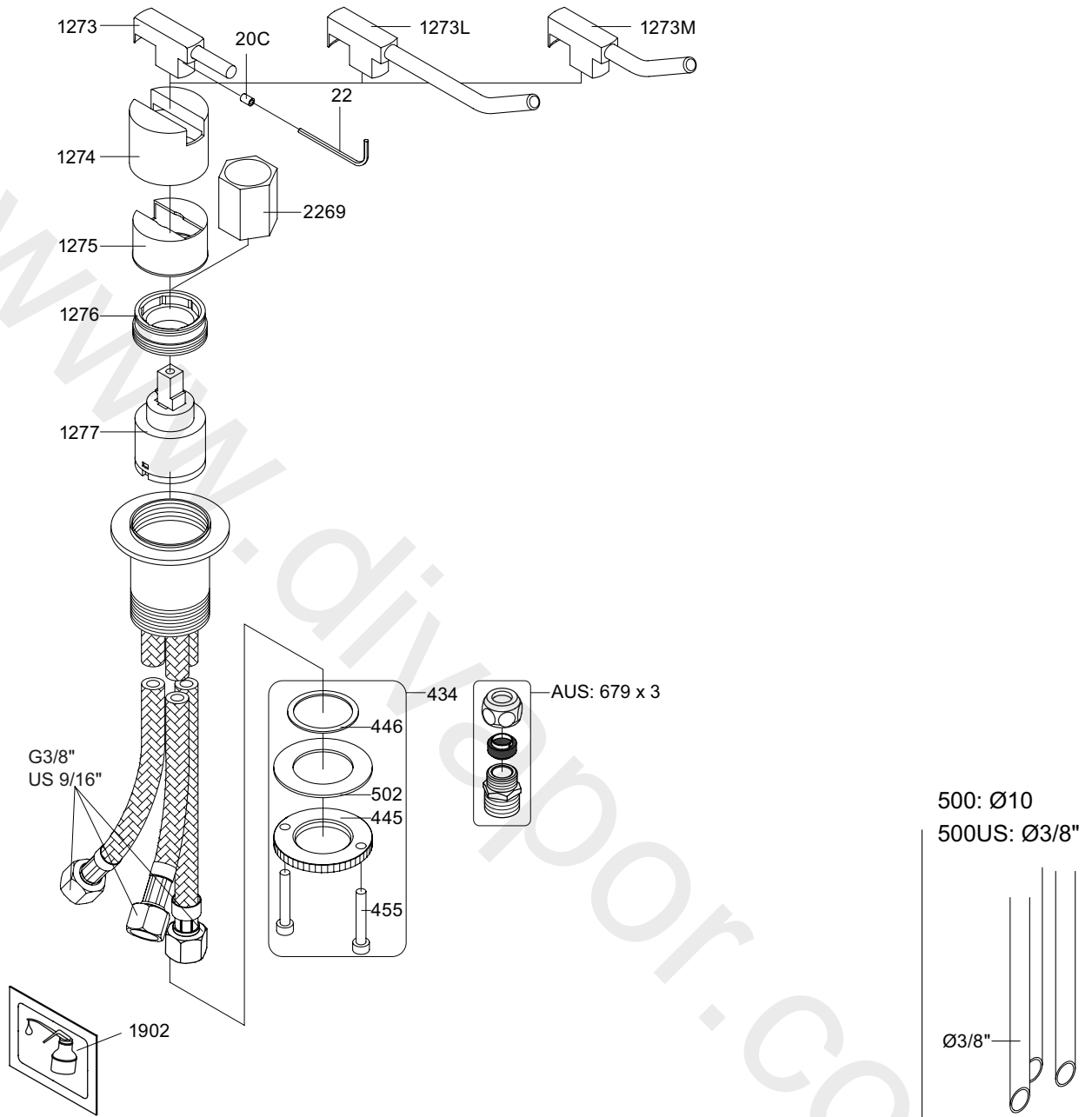
Max. 65°C, 150°F

500/2500:

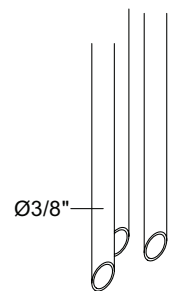




2500:



500: Ø10  
500US: Ø3/8"



- VR1277K: VR22, VR2269, VR1277
- VR434: 2xVR455, VR445, VR446, VR502
- NR.11: VR20, VR22, VR1273, VR1274, VR1275



**vola**  
Lunavej 2  
DK-8700 Horsens  
Tlf : + 45 7023 5500  
sales@vola.com  
www.vola.com

## VOLA 2500, SC1

Date  
Jan. 23

Rev.  
4

Sheet  
SB 10.15