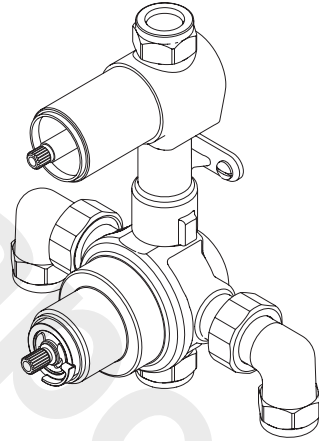


# HERITAGE<sup>®</sup>

## BATHROOMS

### Installation Instructions and User Guide

### Thermostatic Recessed Dual Control Shower Valve



Models covered: SDC04, SDA04, SOCI0,  
SGC03, SGA03, SHDC02 & SHDA02

Please keep this booklet for future  
reference.

Installer, when you have read these in-  
structions please ensure you leave them  
with the user.



# Contents

Thank you for choosing Heritage, the UK's market leader for classic bathroom products. To ensure this product works to its full potential, it needs to be fitted correctly. These fitting instructions have been created to give you all of the information you need. If you need any further help, please do not hesitate to give us a call on 0844 701 8503.

|                              |       |
|------------------------------|-------|
| Important Safety Information | 3     |
| General Information          | 4     |
| Product Features             | 5     |
| Specifications               | 6     |
| Pack Contents                | 7-11  |
| Prior to Installation        | 12    |
| Installation                 | 13-17 |
| Shower Valve                 | 14-14 |
| Wall Outlet                  | 15    |
| Shower Kit                   | 16-17 |
| Operating the Shower         | 18    |
| Maintenance                  | 19    |
| Adjusting the Temperature    | 20    |
| Troubleshooting              | 21-22 |
| Notes                        | 23-25 |
| Guarantee                    | 26-27 |



# Important Safety Information

- Please read these instructions thoroughly and retain for future use.
- All products manufactured and supplied by Heritage are safe provided they are installed, used correctly and receive regular maintenance in accordance with these instructions.
- If you are in any doubt about your ability to install this product safely you must employ the services of an experienced qualified plumber.
- These fittings need to be installed in accordance with, and meet the requirements of the Water Supply (Water Fittings) Regulations 1999 and Scottish Byelaws 2004.
- Remove all packaging and check there are no missing or damaged parts.
- Before starting any installation please consider the following:
  - Before drilling into walls, check that there are no hidden electrical wires, cables or water supply pipes. This can be checked with the aid of an electronic detector.
  - If power tools are used do not forget to:
    - Wear eye protection
    - Unplug equipment after use
-  Warning: Before installing the new shower valve it is essential that you thoroughly flush through the pipework in order to remove any remaining swarf, solder, etc. Failure to carry out this procedure could cause problems or damage to the workings of the shower valve.
- Fitting isolation valves to the inlet feeds is required for ease of maintenance.
- Access must be made available to the shower valve / mixer body for maintenance / servicing purposes.
- Do not block the flow of water from the showerhead, by placing it (smothering it) on you hand or any other part of your body or foreign object.
- Do not crush or kink the shower hose, this could damage the hose and cause leaks.
-  Warning: Do not operate this product if you suspect it is frozen. Do not site the Mixing Valve where it might be subjected to freezing conditions.
- These shower valves must not be modified in any way as this will invalidate the guarantee.



# General Information

This product has been tested to the Water Regulations Advisory Scheme (WRAS) and satisfies the requirements of the Water Supply (Water Fittings) Regulations 1999 and current bylaws.

For full Installation Requirements & Notes (IRN) please visit [www.wras.co.uk/directory](http://www.wras.co.uk/directory).

BS7600 recommends the temperature of stored water should never exceed 65°C. A stored water temperature of 60°C is considered sufficient to meet all normal requirements and will minimise the build up of lime scale in hard water areas.

If the shower valve is installed at low pressure (tank fed), then the minimum distance from the highest installed position of the showerhead to the underside of the cold tank should be at least 1 metre to ensure adequate performance.

**Note:** Nominally equal (balanced) inlet supply pressures are recommended for optimum performance.

This shower valve should be installed in compliance with the Water Supply (Water Fittings) Regulations 1999 and the Scottish Bylaws 2004.

If in doubt, contact a registered plumber or your Local Water Authority or the Secretary of The Institute of Plumbing, address as follows:-

The Institute of Plumbing,  
64 Station Lane,  
Hornchurch,  
Essex,  
RM12 6NB  
Tel: 01708 472791

| Recommended Usage |   |                  |   |
|-------------------|---|------------------|---|
| Domestic          | ✓ | Heavy Commercial | ✗ |
| Light Commercial  | ✓ | Health Care      | ✗ |



# Product Features

## 1. On / off control

Turn the handle clockwise to turn on and increase the flow of water.

Turn the handle anti-clockwise to turn off the flow of water.

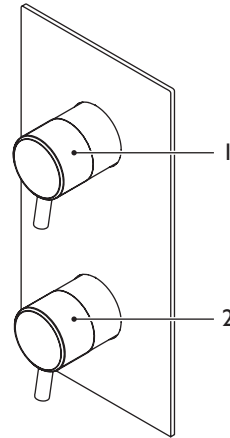
## 2. Temperature control

Adjustable temperature control.

Turn the handle clockwise for a cooler temperature.

Turn the handle anti-clockwise for a hotter temperature.

**Note:** The SDC04 & SDA04 can either be installed portrait or landscape.



SOC10 shown



# Specifications

**Inlet connections:** 15mm compression with 150mm between centres.

**Minimum working pressure:** 0.2 bar

**Note:** This product has been designed to deliver a high flow of water on low pressure systems, however depending on the installation, type of system and shower accessories used, a higher pressure maybe required to optimise the showering experience.

**Maximum working pressure:** 5 bar

**Maximum static pressure:** 10.0 bar

**Note:** Static pressure is the build up of pressure when the valve is closed.

## Supply requirements:

Minimum cold water supply temperature: 5°C.

Maximum cold water supply temperature: 25°C.

Maximum hot water supply temperature: 80°C.

**Note:** The inlet hot water temperature must be at least 10°C above the required blend temperature (e.g. shower temperature 43°C: minimum hot water temperature 53°C).

## System requirements:

Gravity fed hot & cold (Equal pressures)

Gravity fed hot & mains cold (Differential pressure, maximum ration 5:1)

Unvented systems

Instantaneous water heater (Combination boiler)

Pumped system

**Note:** When using a pumped system we recommend that an Essex flange is used.

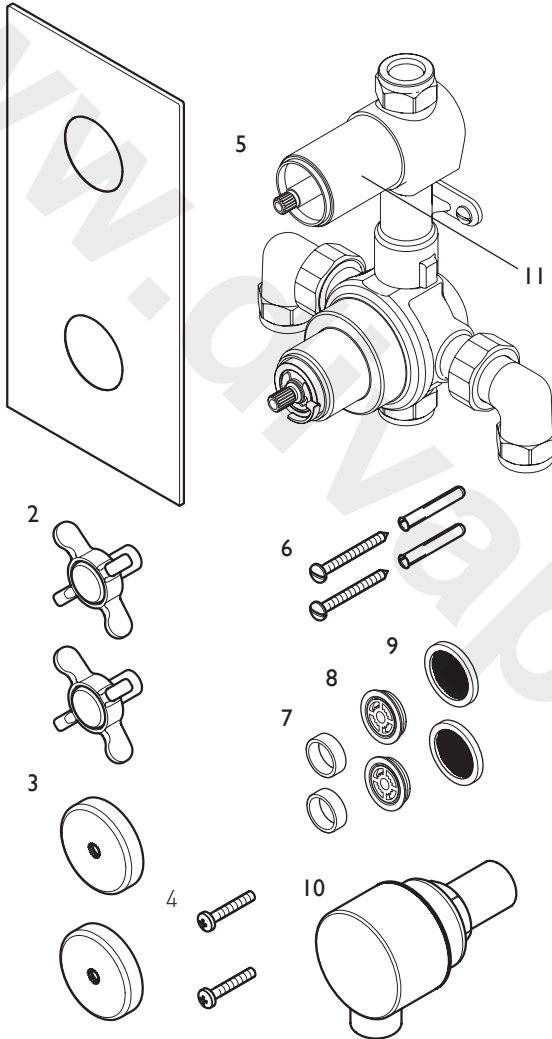
**Important:** Minimum wall cavity depth: 35mm

**Min - Max Concealing plate thickness:** 45-75mm

For full dimensional drawings please visit [www.heritagebathrooms.com](http://www.heritagebathrooms.com)



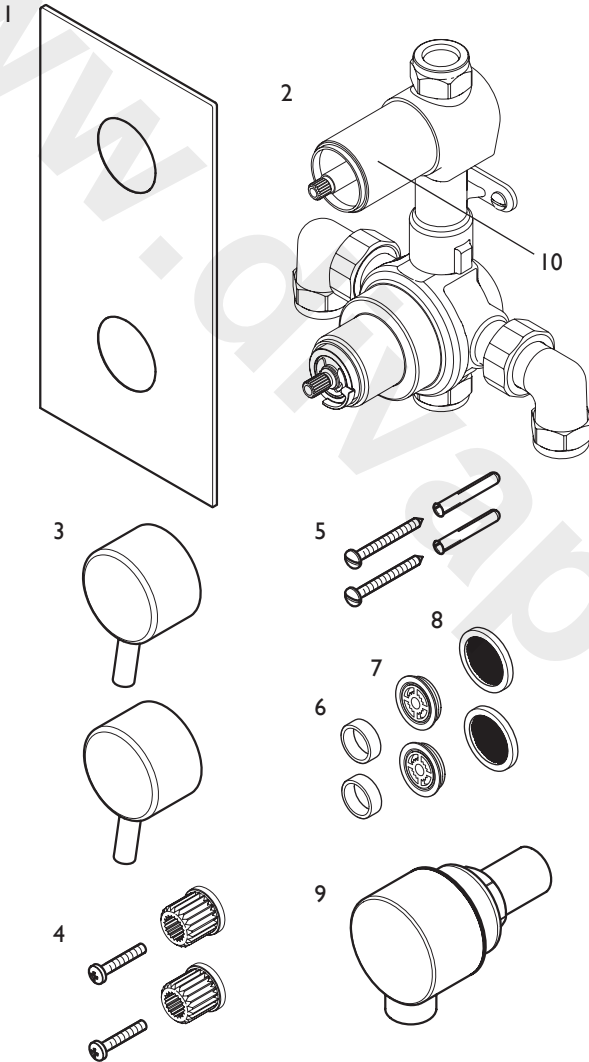
# Pack Contents - SDC04 & SDA04



- 1. Concealing plate x1
- 2. Handles x2
- 3. Shrouds x2
- 4. Screws x2
- 5. Valve body x1
- 6. Valve body fixings x2/2
- 7. Inserts x2
- 8. Flow regulators x2
- 9. Filter washers x2
- 10. Wall outlet x1
- 11. Shrouds x2



# Pack Contents - SOC10



1. Concealing plate x2
2. Valve body x1
3. Handles x2
4. Spline adaptors x2
5. Valve body fixings x2/2
6. Inserts x2
7. Flow regulators x2
8. Filter washers x2
9. Wall outlet x1
10. Shrouds x2



# Prior to Installation

## Flow Regulators

This shower valve is supplied with a 5 and 7 litre per minute flow regulator loose in the box which must be fitted if the shower valve is installed in conjunction with an instantaneous water heater / combination boiler.

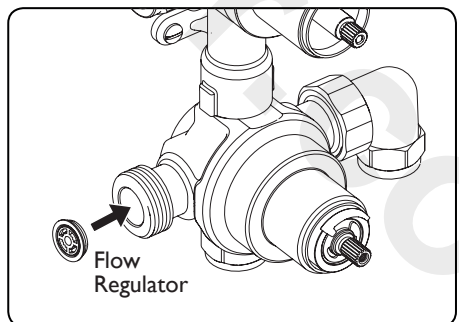
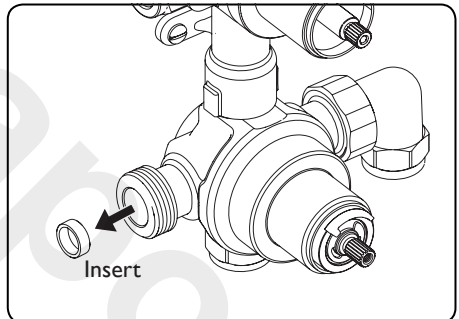
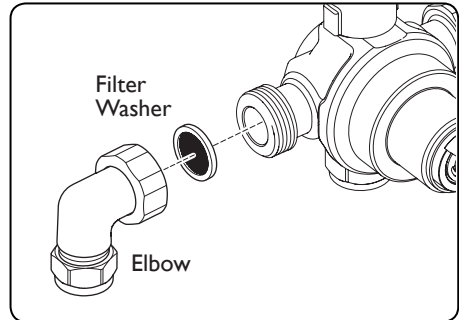
With both flow regulators fitted and by turning the water heater / combination boiler to its hottest setting, will ensure a sufficiently hot water supply to the shower valve during winter months (in the UK), when the mains cold water supply is at its coldest.

## To fit the flow regulators

Remove the inlet elbows ensuring the filter washer is also removed. Carefully remove the plastic inserts from the valve inlets and push in the flow regulators. The 7 litre per minute green flow regulator must be fitted to the cold inlet and the 5 litre per minute yellow flow regulator must be fitted to the hot inlet.

Place the filter washers back into the elbow nuts and tighten the nuts fully onto the outlets.

In the event that this shower valve is not installed with an instantaneous water heater / combination boiler, the flow regulators do not need to be fitted.



# Installation - Shower Valve

This shower valve is designed for installations where a recessed valve is already installed in the wall cavity and is to be replaced, or for new installations.

## Before Installation

Flush through the pipework to ensure removal of any debris. Turn off the mains water supply and close any isolating valves.

### 1. Attach shower valve to wall

Place the shower valve in the required position and mark the centres of the fixing holes onto the wall.

**Warning:** Please check for any hidden pipes and cables before drilling holes in the wall.

Drill suitable holes and insert the wall plugs. Securely attach the shower valve to the wall using the screws supplied.

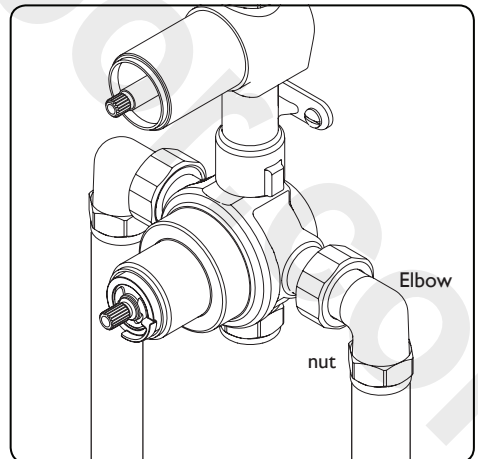
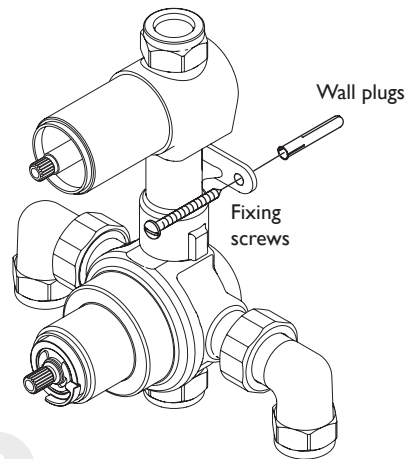
### 2. Connect water supply pipes

Insert 15mm hot and cold water supply pipes into the inlet connections and tighten nuts, ensuring the olives are fitted.

### 3. Plumb in outlets

Insert 15mm pipework into the top outlet and plumb into the users chosen products. Ensure the olives are fitted when tightening the nuts.

**Important:** Water supplies to the mixer must be with hot on the left and cold on the right when viewed from the front.



## Installation - Shower Valve

### 4. Fit concealing plate

Note: The concealing plate can be used as a template by drawing around the plate and measuring in by 10mm to give sufficient clearance.

Run a bead of waterproof silicon sealant around the inner edge of the concealing plate.

Slide the concealing plate onto the shower valve control handles and apply firm pressure to ensure the silicon sealant spreads.

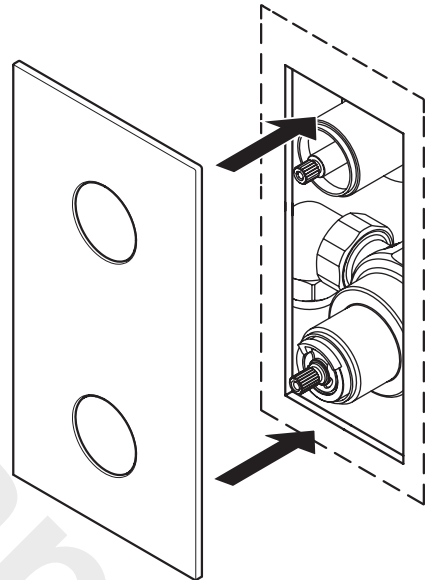
### 5. Fit Shrouds

Screw the shrouds onto the valve body.

### 6. Fit Handles

Push the spline adaptors (if required) onto the valve spindles.

Push the handles onto the spline adaptors and secure by tightening the grub screw and push-fit the cap into position.



Concealing plate

**Important:** All future servicing and maintenance of the shower valve, thermostatic cartridge and filters can be done from the front, so rear access is not required.



# Installation - Wall Outlet

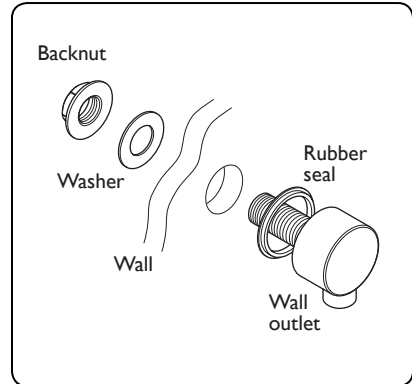
## Fitting the Wall Outlet

There are two methods of fixing the wall outlet depending on the type of wall:

### a: With rear access once wall finished

Fit the rubber washer to the back of the wall outlet, place the assembly through a 25-30mm hole in the wall and secure with the backnut ensuring the washer is fitted between the backnut and the wall.

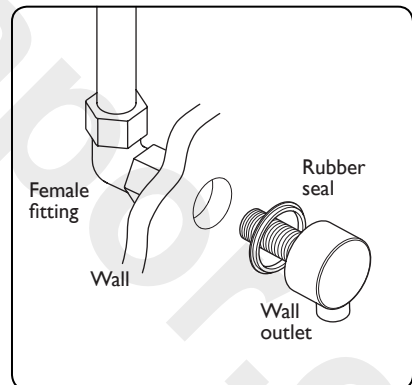
Connect the wall outlet assembly to the shower valve outlet.



### b: Without rear access once wall finished

Fit a '1/2" female connection' (not supplied) within the wall cavity and plumb in from the shower valve. Screw the wall outlet into the '1/2" female connection' using a suitable thread sealant ensuring the rubber seal is fitted to the back of the wall outlet.

**Note:** The backnut and washer are not required.



# Operating the Shower

## 1. On / Off control

Turn the handle clockwise to turn on and increase the flow of water.

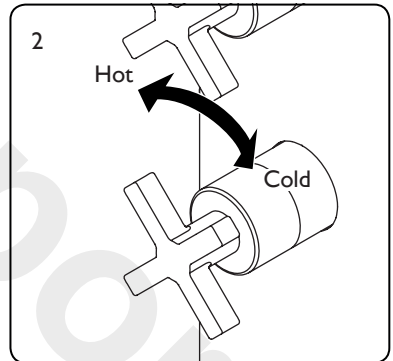
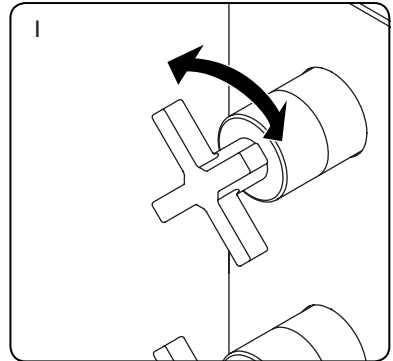
Turn the handle anti-clockwise to turn off the flow of water.

## 2. Temperature control

Adjustable temperature control.

Turn the handle clockwise for a cooler temperature.

Turn the handle anti-clockwise for a hotter temperature.



# Maintenance

## General Cleaning

Your fitting has a high quality finish and should be treated with care to preserve the visible surfaces. All surfaces will wear if not cleaned correctly, the only safe way to clean your product is to wipe with a soft damp cloth. Stains can be removed using washing up liquid. All bath cleaning powders and liquids will damage the surface of your fitting, even the non-scratch cleaners.

**Note:** Never use abrasive detergents or disinfectants or those containing alcohol, hydrochloric acid or phosphoric acid.

## Cartridge Maintenance

We advise that the shower valve is regularly serviced in hard water areas to maintain the flow of water.

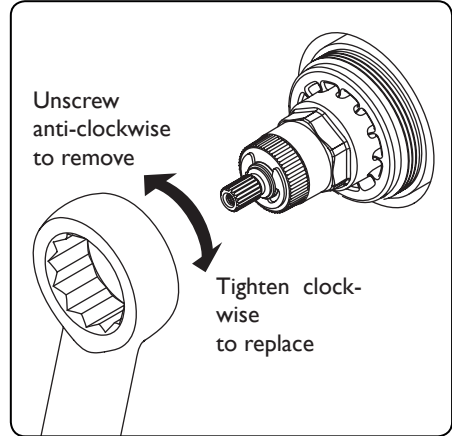
Isolate both hot and cold water supplies to the shower valve by either:

- Turning the water supply off at the mains stopcock or
- Turning off the isolation valves to the shower valve.

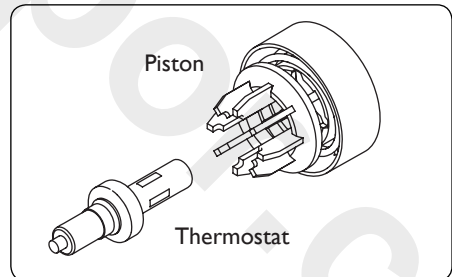
1. Remove the temperature handle and plastic stop.

**!** Important: Take note of the position of the plastic stop and handle - They must be refitted in the same position.

2. Unscrew the cartridge anti-clockwise and remove from the valve body.



3. Remove the piston and thermostat assembly and place into a bowl. Carefully add hot water (just off the boil) and vinegar to de-scale. Leave in the solution until the water has cooled and rinse with clean water.



4. Grease the seals with a silicon greas and carefully refit.

5. Refit the temperature stop and handle. Reset the maximum temperature.

# Adjusting the Temperature

## Adjusting the Temperature

The shower valve has been factory set to 42°C with equal (balanced) hot and cold water supply pressures, with the hot water supply at 65°C.

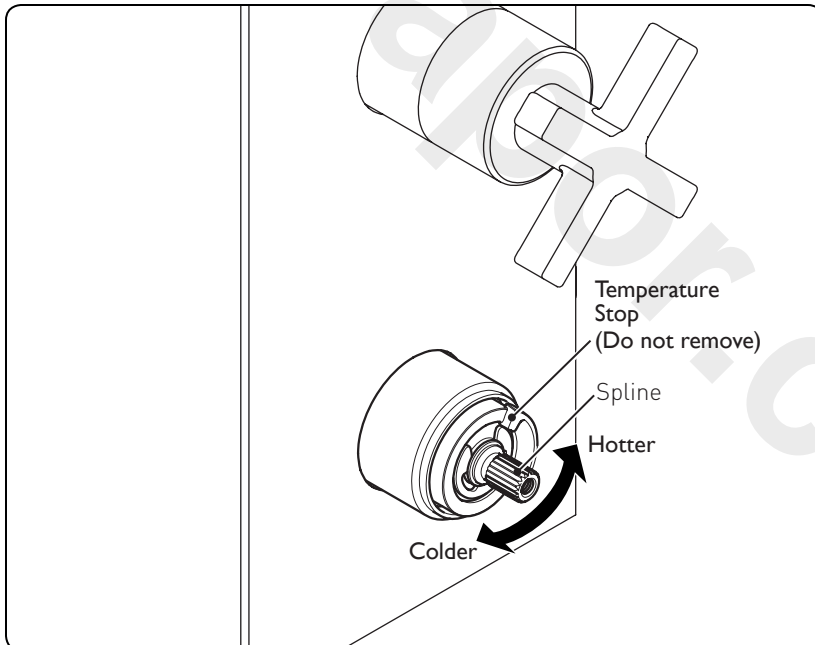
If your operating conditions are different from those above, the outlet water temperature may differ from the factory setting.

If required the shower valve can be re-calibrated to suit your own temperature requirements.

Set the temperature control to the maximum setting and check the

temperature of the water with a thermometer. If the temperature is not correct, re-calibrate the shower valve:

1. Remove the temperature handle but do not remove the plastic temperature stop.
2. Turn the spline clockwise to decrease the temperature and anti-clockwise to increase the temperature. Check the temperature and adjust until you achieve the required temperature.
3. Replace the temperature handle ensuring it is fitted back into the maximum position.



# Troubleshooting

| Symptom   | Cause   | Remedy   |
|---|---|--|
| No flow or low flow rate and / or varying temperatures. | Check showerhead, hose and filters for any blockage.  | Clean as necessary, refer to Maintenance section (page 14).  |
|   | Partially closed stop or service valve in water supply pipework to the shower valve.                              | Open stop or service valve.  |
|   | Instantaneous water heater cycles on and off as the flow rate or pressure is too low.                             | Increase water flow rate or pressure through system.<br>Contact the boiler manufacturer.   |
|   | Head of water is below the minimum distance required.   | Raise the cistern or fit a shower booster pump.  |
|   | Inlet filter is partially blocked.  | Clean or replace, flush through pipework before refitting.   |
|   | Hot or cold water being drawn off elsewhere causing pressure changes or instantaneous boiler temperature changes. | Do not use other water outlets when using the shower.  |
|   | Make sure the maintained inlet pressures are nominally balanced and sufficient.                                   | Refer to Specification (page 6).   |
|   | Airlock or partial blockage of the pipework.  | Flush through pipework to ensure removal of debris and any airlocks.   |
| Only hot or cold water from the shower valve outlet.    | No hot or cold water reaching the shower valve.   | Check hot and cold feeds (the valve will shut down if either the hot or cold supply fails).  |
|   | Partially closed stop or service valve in water supply pipework to the shower valve.                              | Open stop or service valve.  |
|   | Inlet filter is partially blocked.  | Clean or replace, flush through pipework before refitting.   |
|   | Inlet water supplies are reversed (hot to cold supply).   | Check the connections are the correct way round. Hot on the left and cold on the right when viewed from the front. Rework pipework as necessary. |





# Troubleshooting

| Symptom   | Cause   | Remedy  |
|---|---|---|
| Water leaking from showerhead.  | This is normal for a short time after turning off.                            | Adjust angle of showerhead in holder as necessary to vary draining time.  |
|   | Shower cartridge failing to close fully, possibly due to water borne debris.  | Remove shower cartridge and check. Refer to Maintenance section (page 14) before dismantling shower valve.  |
| Maximum water temperature too hot or cold.                              | Maximum water temperature set incorrectly.                                    | Reset maximum water temperature. Refer to 'Maximum Temperature setting' in Maintenance section (page 14) and 'Adjusting the Temperature' (page 15)                          |
| Outlet water temperature too hot / cold.                                | Inlet filter is partially blocked.  | Check inlet filters for any blockages and clean as necessary.   |
|   | Installation conditions outside operating parameters.                         | Refer to Specification (page 6).<br>Service shower valve as recommended. Refer to Maintenance section (page 14).<br>Refer to 'Adjusting the Temperature' section (page 15). |
| Water temperature too cold - Maximum water temperature incorrectly set. | Hot water temperature is less than 10°C above the required blend temperature. | Adjust hot water temperature or wait for water to reheat if stored system is used.  |
|   | Instantaneous water heater not igniting because water flow rate is too low.   | Increase water flow rate through the system.<br>Check inlet filters and clean or replace. Refer to Maintenance section (page 14).<br>Contact the boiler manufacturer.       |



# Guarantee

When you buy a Heritage product, you can be confident that it not only features a beautiful, distinctive, classic design, but that it has also been made to the very highest quality standards.

In the unlikely event that you find a fault with our products, we offer solid guarantees and an attentive aftercare service to ensure that the problem is dealt with quickly and easily.

Heritage shower valves are covered by a 5 year guarantee. This also includes 5 years labour cover\* (subject to registration) which means that if there is a problem in the first year after purchase, we'll send one of our expert engineers to fix it.

\*Labour is provided by an approved engineer or appointed representative. The guarantee only applies to products with a manufacturing fault. There will be a call out charge for any incidents where no fault has been found with the product, or if the issue is due to poor installation or maintenance.

## Guarantee Terms and Conditions

This guarantee is in addition to your statutory and other legal rights and is subject to the following conditions:

- The product was purchased within the United Kingdom or Republic of Ireland.
- The guarantee applies solely to the original purchaser with proof of purchase.
- The installation must allow ready access to all products for the purpose of inspection, maintenance or replacement.

- Repair under this guarantee does not extend the original expiry date. The guarantee on any replacement parts or product ends at the original expiry date.

- Any part found to be defective during the guarantee period will be replaced without charge, providing that the product has been installed in accordance with the instructions given in this guide

and used as the manufacturer intended. The guarantee does not cover:

- Damage or defects caused by:
  - General wear and tear (including special non-chrome finishes; components such as filters, seals, 'O' rings and washers)
  - Incorrect installation
  - Repair using non-Heritage parts
  - Accidental or wilful misuse
  - Corrosion and the use of inappropriate cleaning products
  - System debris including the build up of limescale (which can be controlled through regular servicing and maintenance)
- Compensation for loss of use of the product or consequential loss of any kind.

In the interests of continuous product improvement, Heritage reserves the right to alter product specifications without notice.

The Heritage Product Guarantee does not affect your statutory rights as a consumer.



# Guarantee

## • Need help?

If this product does not function correctly when first used, contact **Heritage Customer Service on 0844 701 8503** where our expert team of advisors will be able to offer you help and advice.

## • Problems during the guarantee period

In the unlikely event that you encounter any problems with the product during the guarantee period, contact **Heritage Customer Service on 0844 701 8503** with your proof of purchase and we will work to resolve the problem quickly.

## Heritage Customer Support

Heritage customers also benefit from the support of our comprehensive customer support package which offers:

### Technical support hotline

**Tel: 0844 701 8503** with access to fully trained advisers who can offer installation advice, talk you through quick maintenance checks, or recommend the best course of action to fix any problems with a product.

### Spare parts

We hold thousands of spares and we keep them for discontinued products for over seven years. Spares can easily be ordered online at [www.heritagebathrooms.com](http://www.heritagebathrooms.com) and are dispatched the same day.

## Expert plumbing engineers

If we can't solve the problem over the 'phone or with a spare part, then we'll send out one of our engineers to take a look. Our engineers provide free support for products that are within guarantee, but are also available to service products that are out of guarantee for a small charge. For details, please call **Heritage Customer Service on 0844 701 8503**.





# HERITAGE<sup>®</sup>

BATHROOMS

# HERITAGE<sup>®</sup>

BATHROOMS

Birch Coppice Business Park  
Dordon  
Tamworth  
Staffordshire  
B78 1SG

Web: [www.heritagebathrooms.com](http://www.heritagebathrooms.com)  
Email: [technical@heritagebathrooms.com](mailto:technical@heritagebathrooms.com)  
Tel: **0844 7018503**

|                                 |
|---------------------------------|
| Part Number: FI:VO Front Access |
| Issue: D3                       |