

Specification

Main Construction Material:	Brass
No of Controls:	2
Shower Type:	Recessed Thermostatic Shower
Handle Type:	Crosshead Handles
Valve/Cartridge Type:	Thermostatic Cartridge
Maximum Hot Water Supply Temperature °C:	65
Maximum Static Pressure: (bar)	10
Plumbing System Suitability:	All - Ideally Balanced
Working Pressure Range:	Min. 0.2 Bar, Max. 5.0 Bar
Connection Inlet:	15mm Compression
Connection Outlet:	15mm Compression & G 1/2"
Isolation Valve Included:	No
Check Valve Included:	Yes

Features:

- Optimised for UK market, designed to work at pressure range of 0.2 - 5.0 Bar
- Thermostatic temperature control and automatic stop prevent surges of hot or cold water
- Performance flow to provide a drenching experience
- Smallest recessed valve on the market, will fit into a 35mm cavity space
- Ceramic disc - for smooth operation and added durability

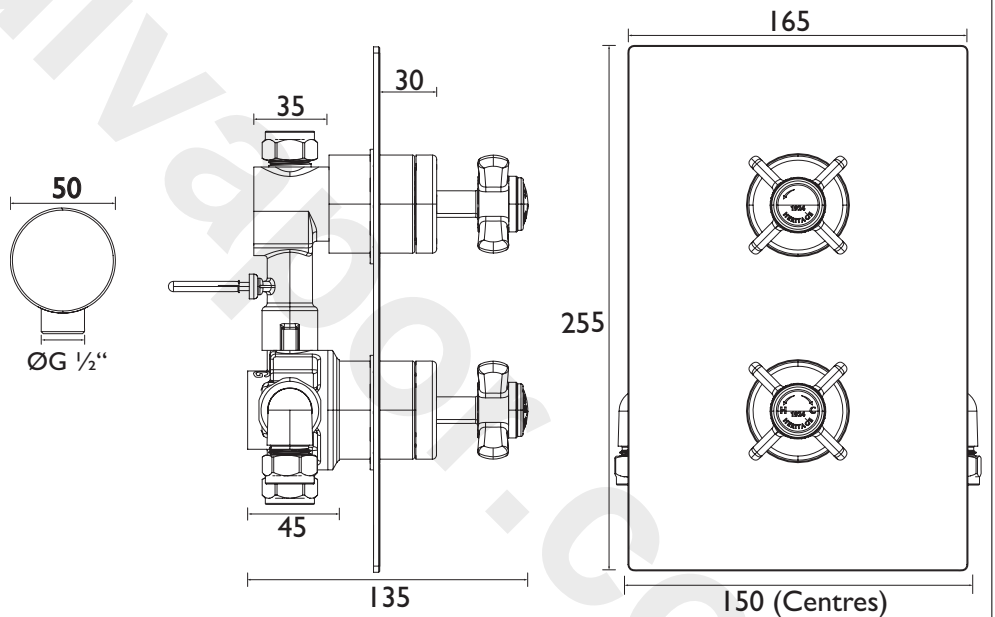
Product Certifications:



WRAS CERT. NO: 1409055
WRAS Expiry: 30/09/2019



Dimensions (measurements in mm)



Additional Information:

- Matching Taps Available

Flow Rates (l/min)

System Pressure (bar)	0.2	0.5	1	2	3	5
Through Handset (mixed)	7.5	14.1	21	30.5	37.5	48.2
With Flow Regulator	4	7.2	9	9.8	10.7	15.4
Without Flow Regulator	9.3	18	26.7	38.7	49.9	61.7