

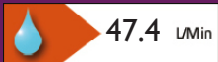
Features:

- Optimised for UK market, designed to work at pressure range of 0.2 - 5.0bar
- Thermostatic temperature control and automatic stop prevent surges of hot or cold water
- Performance Flow to provide a drenching experience
- Smallest recessed valve on the market, will fit into a 35mm cavity space
- Ceramic disc - for smooth operation and added durability

Product Certifications:



WRAS Cert. Number: 2007908
WRAS Expiry Date: 31/08/2025

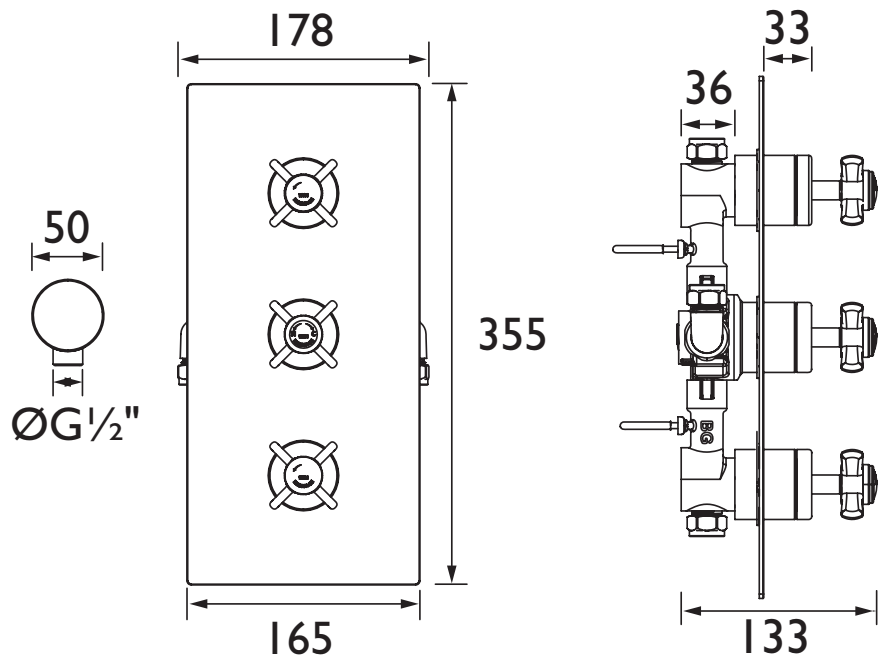


Additional Information:

Specification

Main Construction Material:	Brass
No of Controls:	3
Shower Type:	Recessed Thermostatic Shower
Shower Head Type:	N/A
Valve/Cartridge Type:	Thermostatic Cartridge
Maximum Hot Water Supply Temperature °C:	65
Maximum Static Pressure: (bar)	10
Plumbing System Suitability:	Suitable for all plumbing systems
Working Pressure Range:	Min. 0.2 Bar; Max 5.0 Bar
Connection Inlet:	15mm compression
Connection Outlet:	15mm Compression & G 1/2"
Isolation Valve Included:	No
Check Valve Included:	Yes

Dimensions (measurements in mm)



Flow Rates (l/min)

System Pressure (bar)	0.2	0.5	1	2	3	5
Through Handset (mixed)	7.7	14.2	20.7	24.3	29.8	38.5
With Flow Regulators	3.38	5.3	7.5	10.6	13.9	16.9
Without Regulators	9.1	17.8	27.1	38.4	47.4	58.1