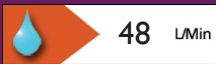




### Features:

- 5 Year Guarantee
- Chrome plated to BS EN 248:2002
- Supplied with 2x 8 litres per minute flow regulators
- Adjustable inlet centres mean you can use existing pipework with centres measuring anything between 136mm and 158mm.
- Factory fitted regulators means this is a water saving shower
- Matching taps available

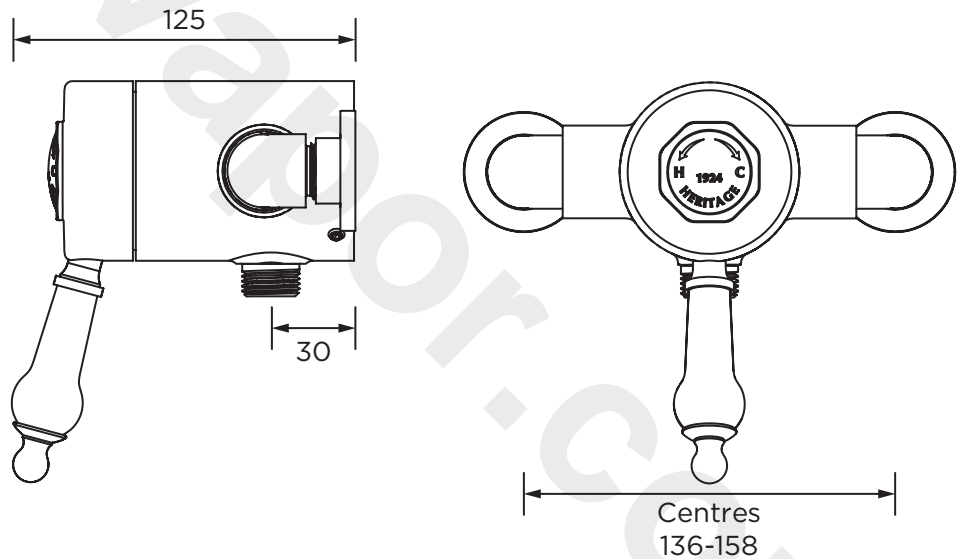
### Product Certifications:



### Specification

Main Construction Material:	Brass
No of Controls:	1
Shower Type:	Exposed Sequential Valve with Bottom Outlet
Shower Head Type:	N/A
Maximum Hot Water Supply Temperature °C:	65
Maximum Static Pressure: (bar)	10
Plumbing System Suitability:	Suitable for all plumbing conditions
Working Pressure Range:	Min: 0.2 Max: 5.0
Connection Inlet:	1/2"
Connection Outlet:	1/2"
Isolation Valve Included:	No
Check Valve Included:	Yes

### Dimensions (measurements in mm)



### Flow Rates (l/min)

System Pressure (bar)	0.1	0.2	0.5	1	2	3	5
With Flow Regulators	2.41	3.41	5.39	7.62	10.78	13.2	17.04
Without Flow Regulators	8.76	10.3	18.6	27.3	39.1	48	61.7