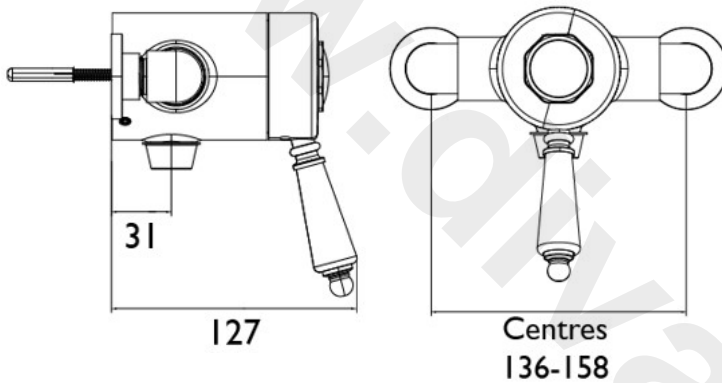


### Hartlebury Dual Control Concentric Valve with Top Outlet

#### Product Specification

<b>Product Code:</b>	SHDCT02 (Chrome); SHDAT02 (Vintage Gold)
<b>Product Type:</b>	Thermostatic Mixer Shower
<b>Maximum Temperature:</b>	Pre-set to 42°C
<b>Inlet Connections:</b>	15mm Compression
<b>Working Pressures:</b>	Min 0.1 Bar, Max 5.0 Bar
<b>Dimensions for Fitting:</b>	136-158mm Inlet Centres



#### Additional Information

- Chrome Plated to BS EN 248
- Supplied with 2 x 8 l/min. flow regulators
- Adjustable inlet centres mean you can use existing pipework with centres measuring anything between 136mm and 158mm.
- Factory fitted regulators means this is a water saving shower
- Matching taps available

**Guarantee:** 5 Years covering all manufacturing faults.

**Technical Advice:** For further information please call 0330 026 8503 or email [technical@heritagebathrooms.com](mailto:technical@heritagebathrooms.com).

System Pressure (Bar)	0.1	0.2	0.5	1	2	3	5
With Flow Regulators	-	-	13	14.1	14.2	15	15.5
Without Flow Regulators	6.6	10.6	18.1	26.5	-	-	-