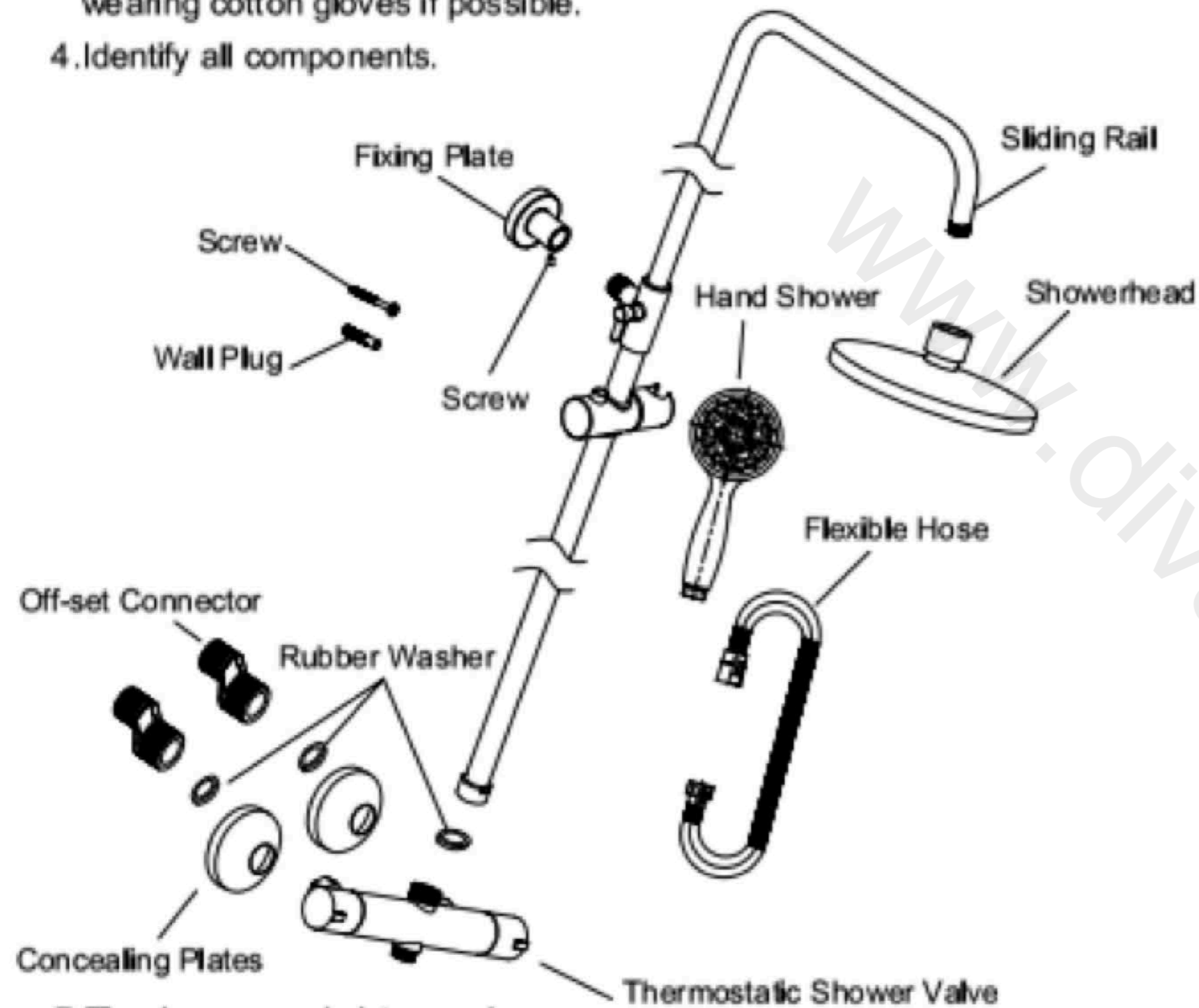


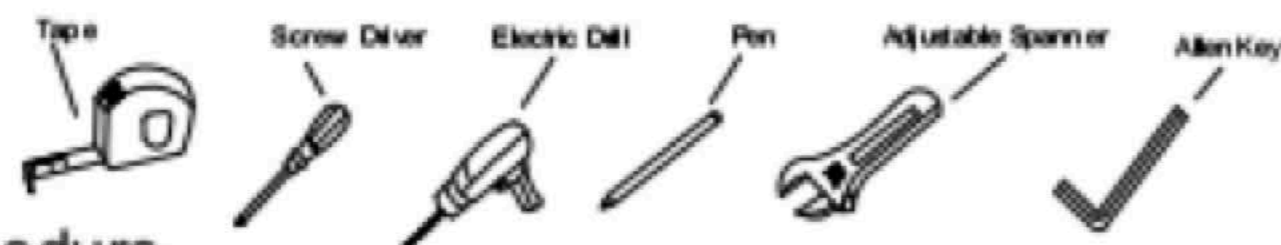
Thermostatic Shower Kit Installation Instruction

I .Before Installation

- 1.Flush out pipework thoroughly to remove debris.
- 2.Turn off water supply.
- 3.Carefully take the kit out of the box in case of any scratches, wearing cotton gloves if possible.
- 4.Identify all components.

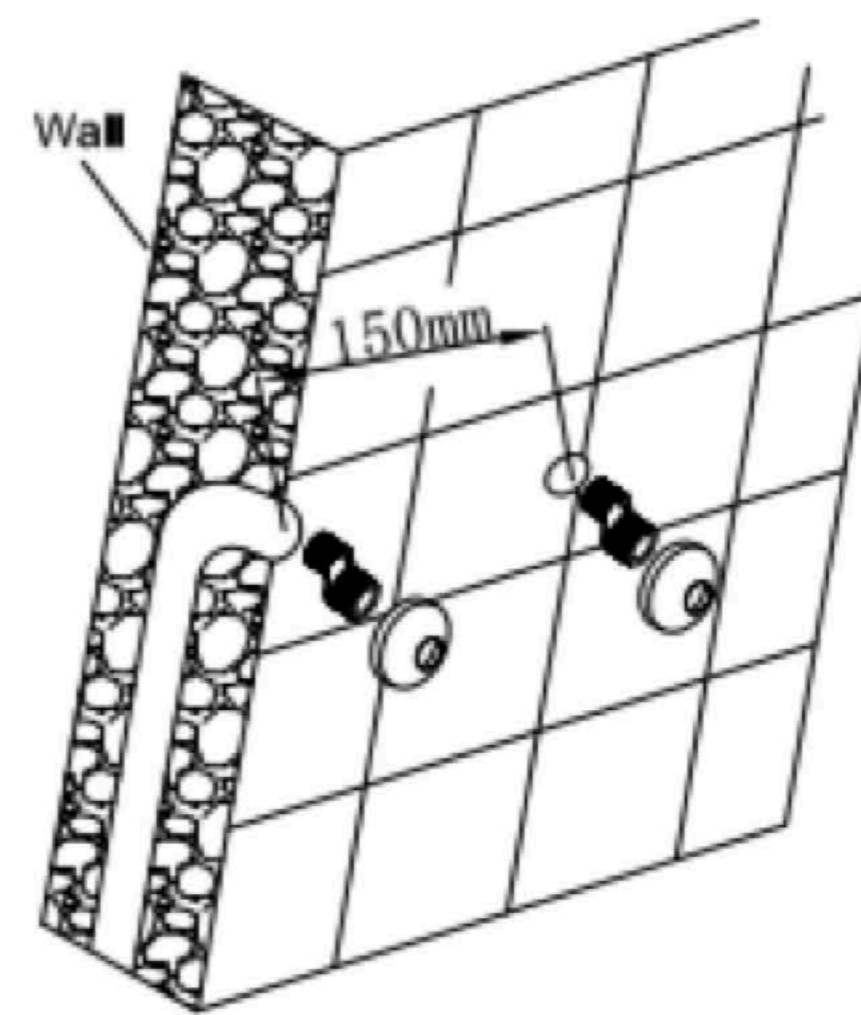


5.Tools you might need.

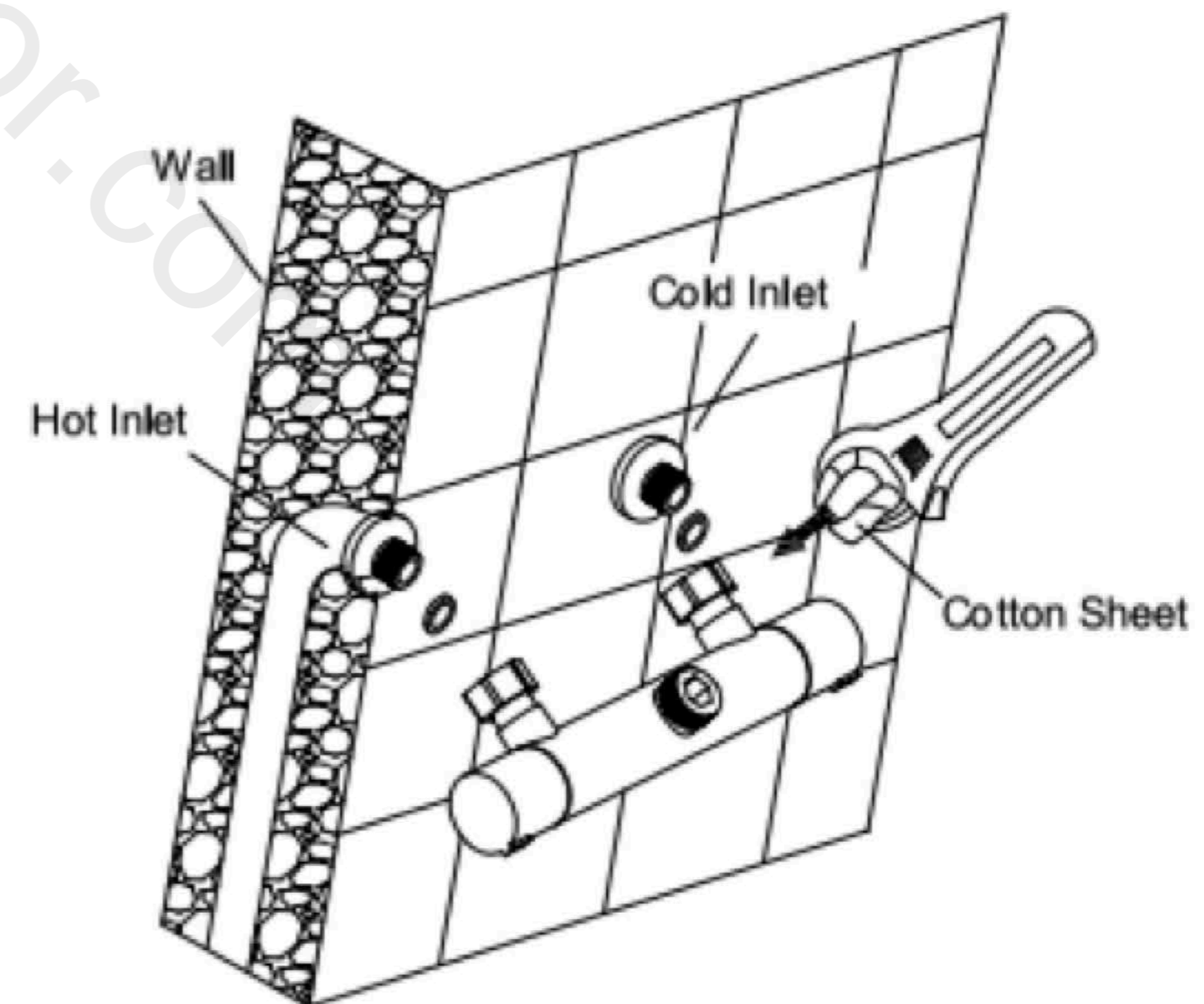


II.Installation Procedure

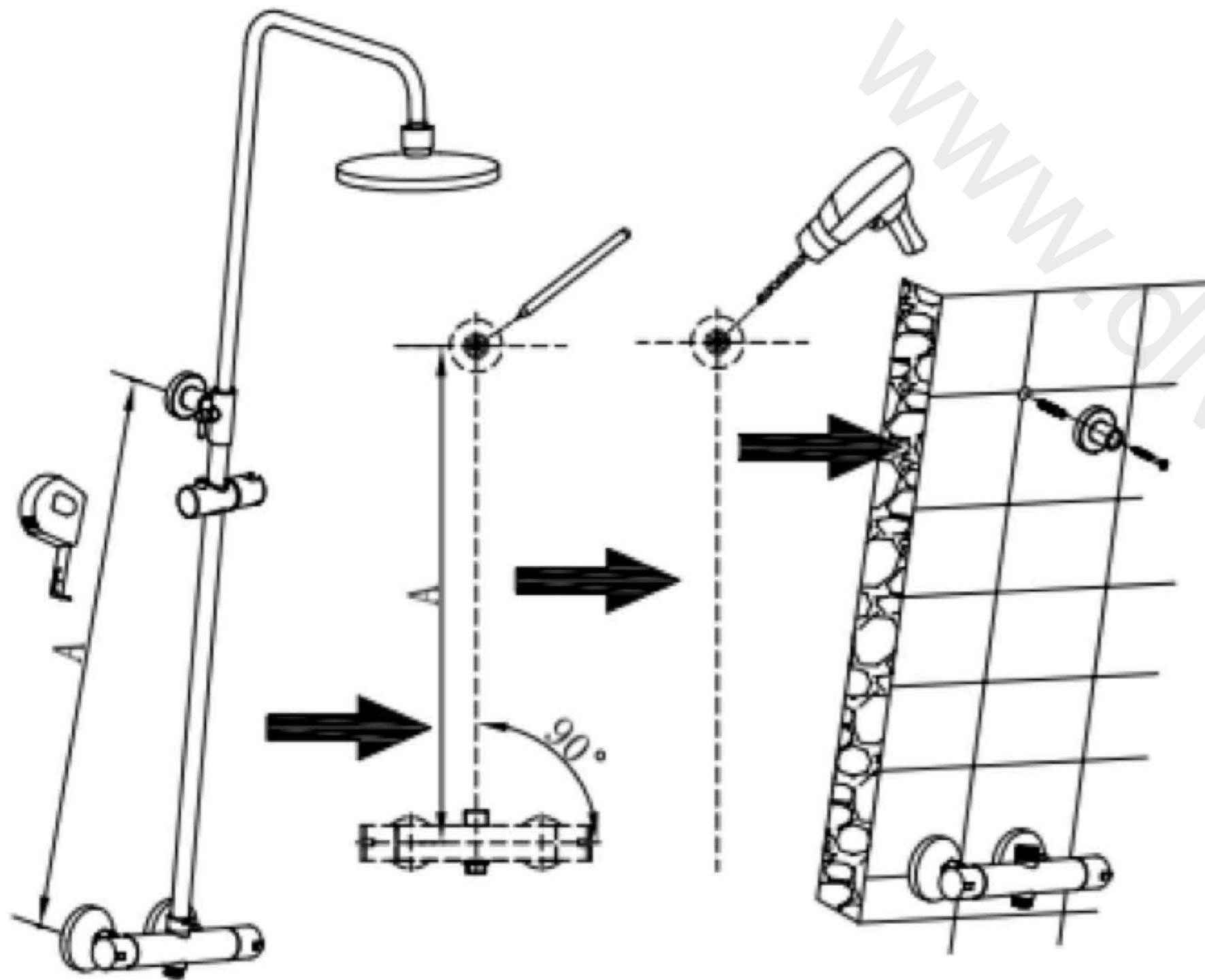
- 1.Fit off-set connector to the water inlets in the wall,then screw the concealing plates onto the off-set connector until they come into contacting with the wall .Seal with an appropriate sealant.



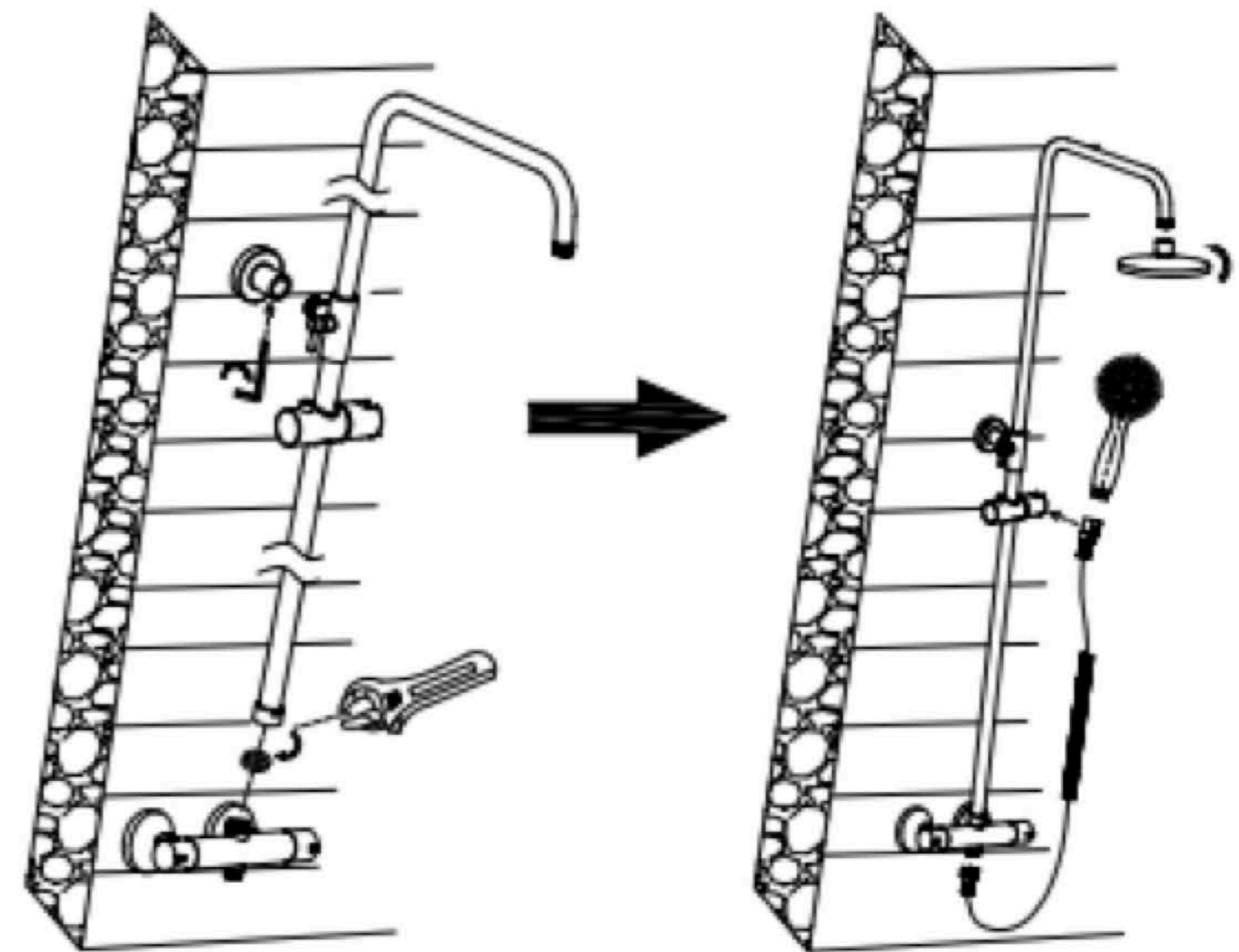
- 2.Fix the connector of shower valve to the off-set connector with spanner.Please use a cotton sheet inside of spanner in case of any scratches. Make sure hot inlet on the left and cold inlet on right ,otherwise it will affect the performance.



3. Measure the installation height of the shower kit with tape. Mark two holes in required position with pen. Drill holes properly with electric drill and place the wall plugs into the holes. Fit the connector to the fixing plate and cover.



4. Align the shower valve and connector and tighten the nuts using an adjustable spanner. Fit screw to the fixing plate with allen key then secure the rail to the wall. Finally connect the headshower to flexible hose, flexible hose to the mixed water outlet, showerhead to the top of sliding rail.



5. Adjust the height of sliding rail suitably.
6. Turn on the water supplies and check for correct operation.



III. After Care

1. This shower kit has a high quality finish and should be treated with care.
2. An occasional wipe with a mild washing-up liquid on a soft damp cloth followed by a thorough rinsing is all that is required.
3. Do not use an abrasive or chemical household cleaner as this may cause damage.