



### Features:

- Optimised for UK market, designed to work at pressure range of 0.1 - 5.0 bar
- Thermostatic temperature control and automatic stop prevent surges of hot or cold water
- Eco-friendly to save as much water as possible
- Adjustable inlet centres, allowing you to use existing pipework with centres measuring anything between 110mm and 155mm.
- Petite handset
- Exposed

### Product Certifications:

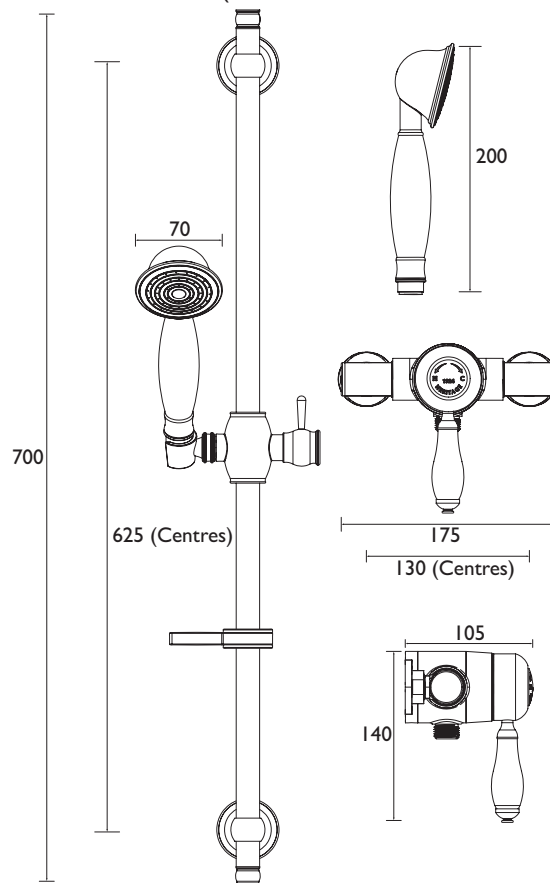


### Additional Information:

### Specification

Main Construction Material:	Brass
No of Controls:	1
Shower Type:	Exposed Thermostatic Shower
Shower Head Type:	Petite Handset
Handle Type:	Lever Handle
Valve/Cartridge Type:	Thermostatic Cartridge
Maximum Hot Water Supply Temperature °C:	65
Maximum Static Pressure: (bar)	10
Plumbing System Suitability:	All - Ideally Balanced
Working Pressure Range:	Min. 0.2 Bar, Max. 5.0 Bar
Connection Inlet:	15mm Compression
Connection Outlet:	15mm Compression
Isolation Valve Included:	No
Check Valve Included:	Yes

### Dimensions (measurements in mm)



### Flow Rates (l/min)

System Pressure (bar)	0.2	0.5	1	2	3	5
Through Handset (mixed)	--	--	6.7	7.2	7.5	7.8