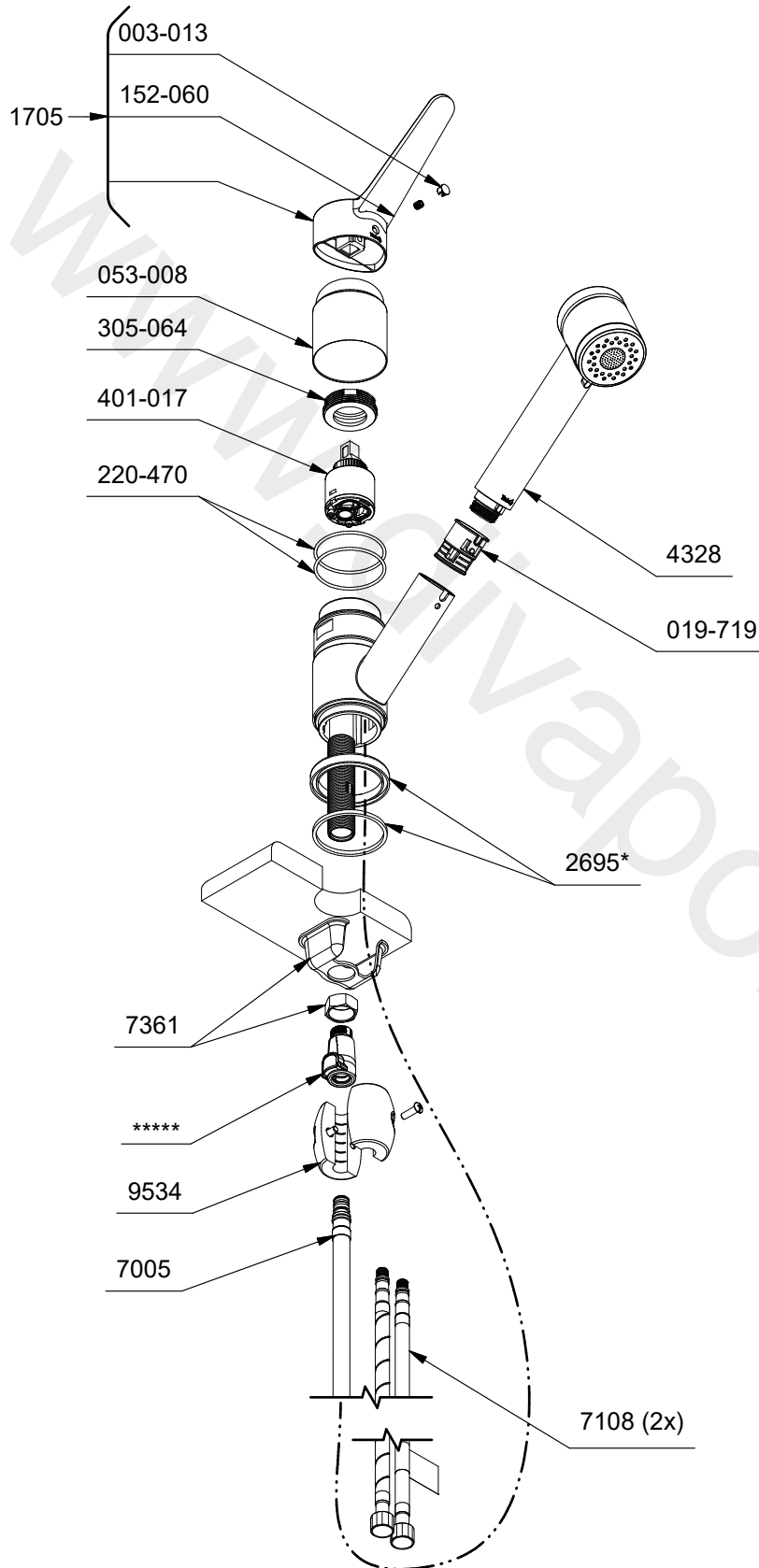


\*Sizes, models and finishes may differ from those presented.

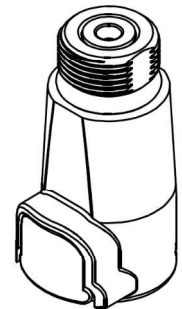


**\*Finish determined by Suffix**

Finish	Description
C	Chrome

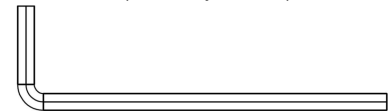
**\*\*\*\* Quick connect :**

- S7-443-22 (2.2gpm / 8.3l/min)
- S7-443-15 (1.5gpm / 5.7l/min)
- S7-443-10 (1.0gpm / 3.8l/min)



**TOOL :**

S505-025 (Allen key 2.5mm)



500-009 (Tool for nut 16mm and 21mm)

