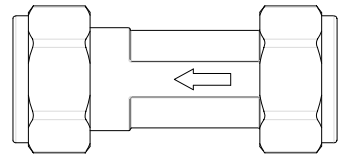
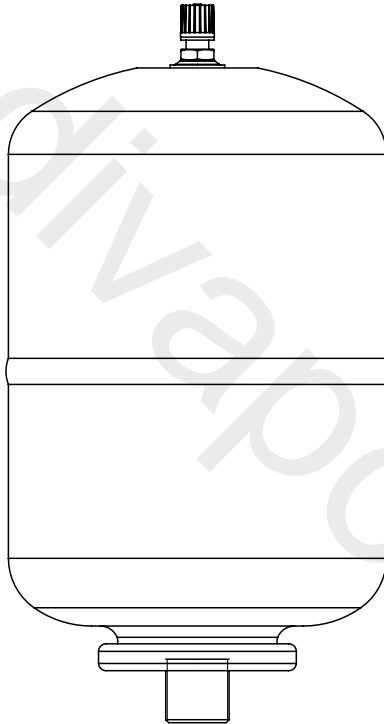


TRITON

Kit A - Expansion Tank and Single Check Valve



**SAFETY CRITICAL
TRITON ACCESSORY**

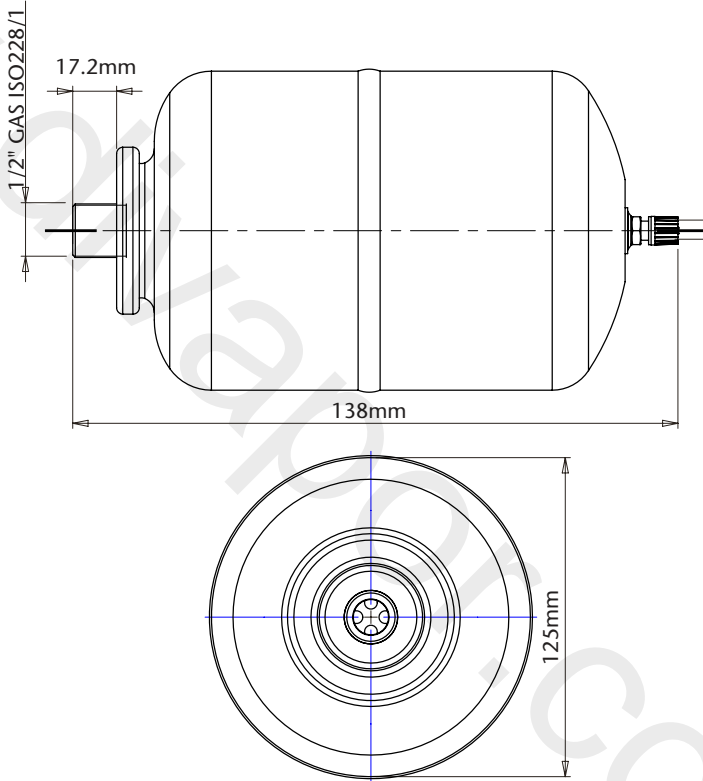
INSTALLERS PLEASE NOTE THESE INSTRUCTIONS ARE TO BE LEFT WITH THE USER

2181636A - July 2020

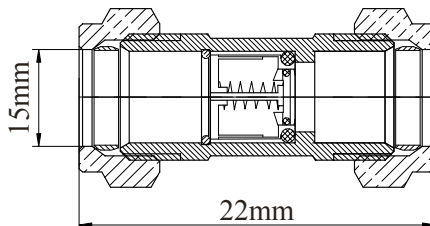
Expansion Tank and Single Check Valve

DIMENSIONS - All dimensions listed in this fitting book for product and installation are approximate.

EXPANSION TANK

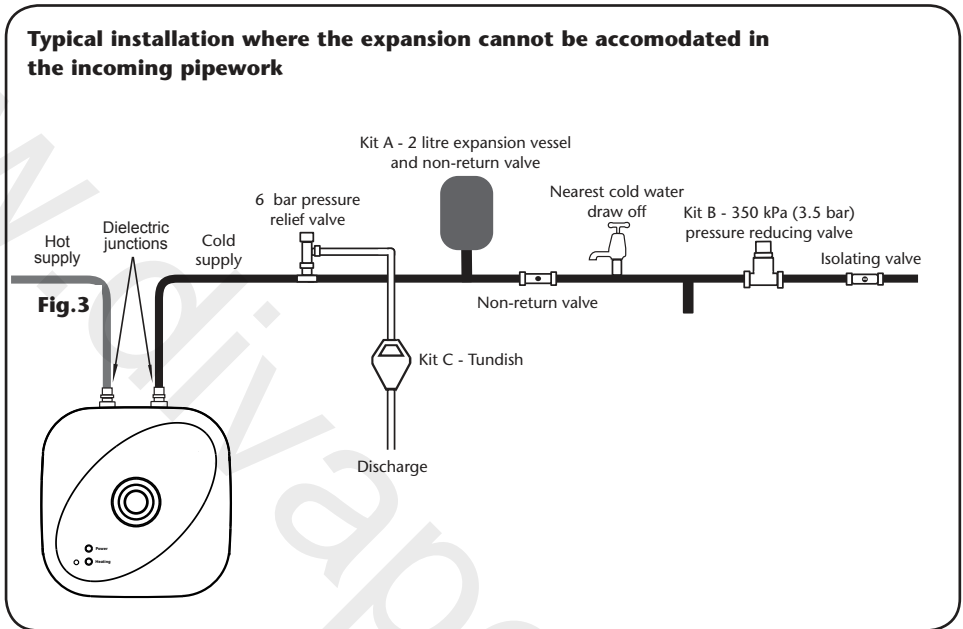


CHECK VALVE



Expansion Tank and Single Check Valve

Typical installation where the expansion cannot be accommodated in the incoming pipework



INSTALLATION

Before installing the Expansion tank and check valve, flush the pipework through to remove any debris that may be in the system.

The diagram above shows a typical installation where the expansion cannot be accommodated in the incoming pipework.

EXPANSION DISTANCE

Measurement from the nearest cold water draw-off to the inlet of the stored water heater. Requirement for 15mm pipe is shown in the table below (this can be approximately halved for 22mm pipework).

5l	1.78m
10l	2.8m
15l	4.2m

The installation must comply with the Water Supply (Water Fittings) Regulations and byelaws for sealed or unvented systems. Triton recommends the use of copper pipe, the use of other materials is beyond the scope of this installer guide

CHECK VALVE

The single check valve (Type EA) supplied permits water to flow from upstream to downstream but not in the reverse direction. Direction indicator shown on the brass body.

EXPANSION TANK

The expansion tank has been factory precharged to 3.5bar and should be installed downstream from the check valve. Maximum working pressure 8 bar

Triton recommends installing the expansion tank using a compression adaptor tee 15mm X 15mm X 1/2" Female. The connection must be suitable for a parallel 1/2" GAS ISO228/1 thread.

Expansion Tank and Single Check Valve

86005890/86005900

Triton Showers
Triton Road
Nuneaton
Warwickshire CV11 4NR

Triton is a division of Norcros Group (Holdings) Limited

Customer Experience: 024 7637 2222

Trade Installer Hotline: 024 7637 8344

www.tritonshowers.co.uk

E-mail: serviceenquiries@tritonshowers.co.uk

technical@tritonshowers.co.uk

For product guarantee information please go to www.tritonshowers.co.uk/help-and-support

TRITON reserve the right to change product specification without prior notice. E&OE. © TRITON SHOWERS 2020