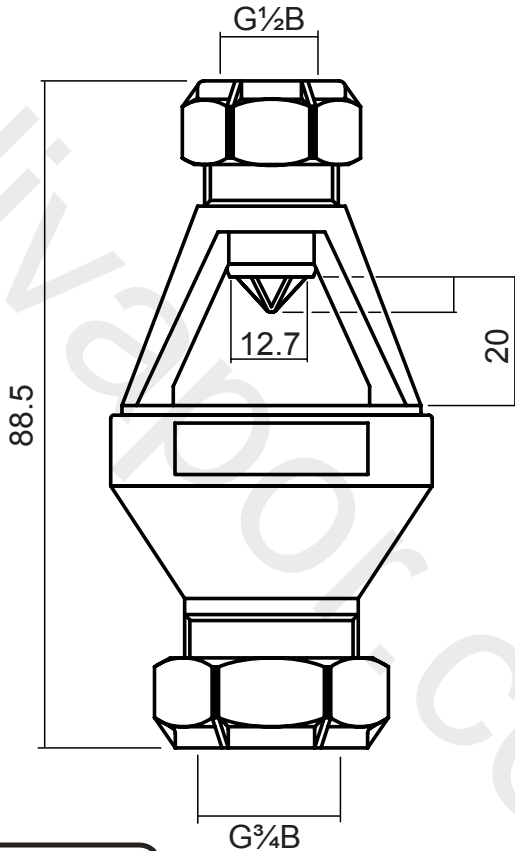


## Kit C Tundish



**SAFETY CRITICAL  
TRITON ACCESSORY**

Dimensions are approximate

**INSTALLERS PLEASE NOTE THESE INSTRUCTIONS ARE TO BE LEFT WITH THE USER**

## Application

The use of a tundish meets the requirements for the Water Supply (Water Fittings) Regulations and Byelaws for sealed or unvented systems.

The discharge pipe from the pressure relief valves should pass through a tundish with an AUK3 air gap.

The tundish must be located within the same room, as near as possible to the pressure relief valve.

**Important** any discharge must be clearly seen and warn of a possible problem within the water heater.

## INSTALLATION

The Tundish must be installed in accordance with water regulation and discharge safely into a trapped gulley or drain.

Before installing the tundish, flush the pipework through to remove any debris.

The Tundishes should be connected to the outlet connection of the pressure relief valve using 15mm pipework and fittings supplied.

The temperature of water discharge can approach 75°C, it is therefore **important** that the final discharge point will not cause injury to people if a sudden discharge occurs.

Triton Showers  
Triton Road  
Nuneaton  
Warwickshire CV11 4NR

**Customer Experience: 024 7637 2222**

**Trade Installer Hotline: 024 7637 8344**

**[www.tritonshowers.co.uk](http://www.tritonshowers.co.uk)**

**E-mail: [serviceenquiries@tritonshowers.co.uk](mailto:serviceenquiries@tritonshowers.co.uk)**

**[technical@tritonshowers.co.uk](mailto:technical@tritonshowers.co.uk)**

Triton is a division of Norcross Group (Holdings) Limited

**For product guarantee information please go to [www.tritonshowers.co.uk/help-and-support](http://www.tritonshowers.co.uk/help-and-support)**

TRITON reserve the right to change product specification without prior notice. E&OE. © TRITON SHOWERS 2020