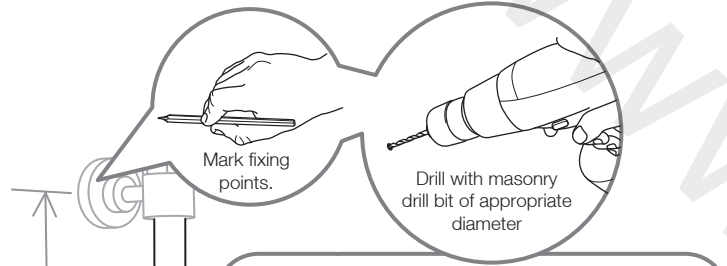


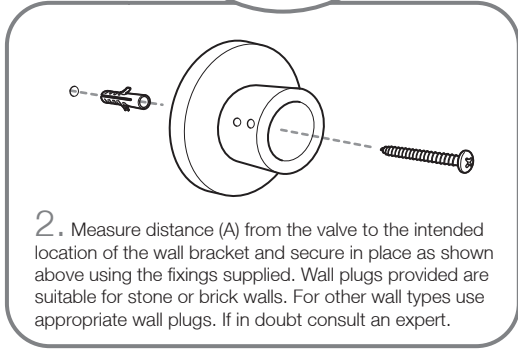
**IMPORTANT**

Wear suitable eye protection when drilling. Take care when using power tools near water - the use of a residual current device (RCD) is advised. Beware of hidden cables or pipes. When drilling tiled surfaces, a piece of masking tape applied to the wall before marking out the fixing holes will stop the drill wandering.

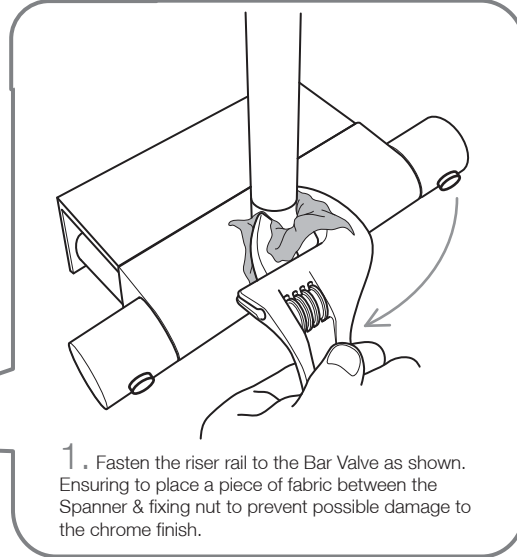


Mark fixing points.

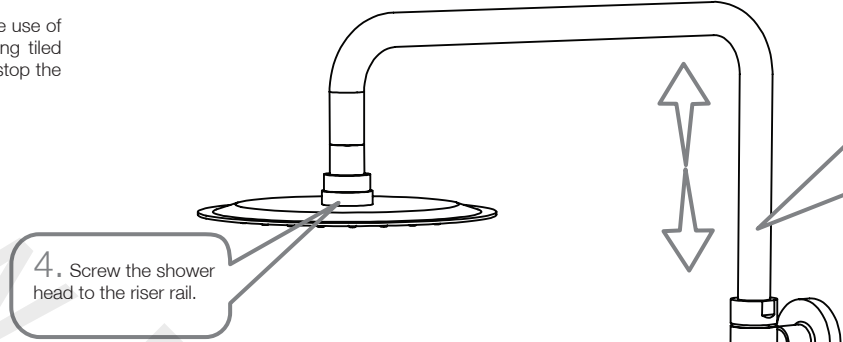
Drill with masonry drill bit of appropriate diameter



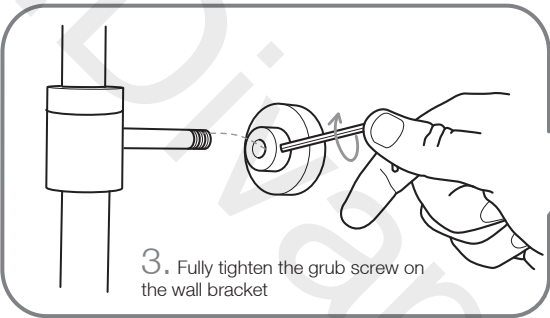
2. Measure distance (A) from the valve to the intended location of the wall bracket and secure in place as shown above using the fixings supplied. Wall plugs provided are suitable for stone or brick walls. For other wall types use appropriate wall plugs. If in doubt consult an expert.



1. Fasten the riser rail to the Bar Valve as shown. Ensuring to place a piece of fabric between the Spacer & fixing nut to prevent possible damage to the chrome finish.



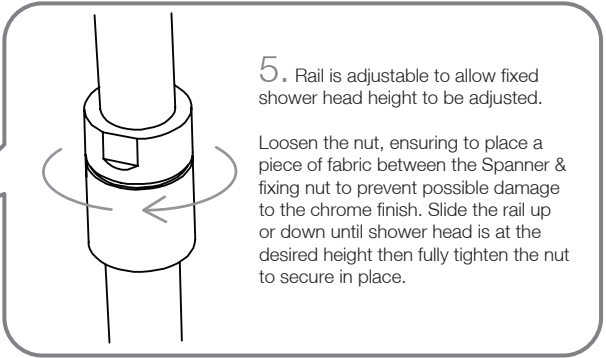
4. Screw the shower head to the riser rail.



3. Fully tighten the grub screw on the wall bracket

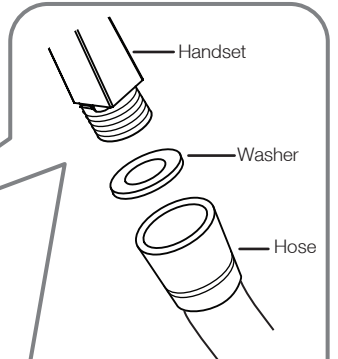
**CLEANING**  
Whilst all these items have a high quality durable finish, they should nevertheless be treated with care.  
  
Surfaces should be cleaned using only a soft damp cloth and clean water then dried using a soft cotton cloth.  
  
Bath cleaning products, even non-scratch ones, could damage the finished surface.

**NOTE**  
Use PTFE tape where necessary to prevent possible leaks on threaded fastenings

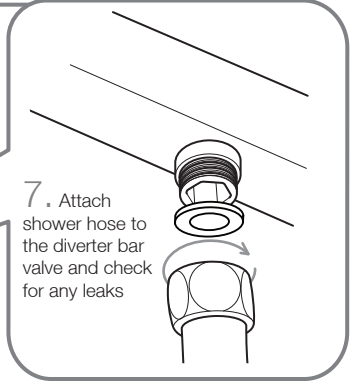


5. Rail is adjustable to allow fixed shower head height to be adjusted.

Loosen the nut, ensuring to place a piece of fabric between the Spacer & fixing nut to prevent possible damage to the chrome finish. Slide the rail up or down until shower head is at the desired height then fully tighten the nut to secure in place.



6. Attach shower hose to the handset (brass nut with O ring) and check for any leaks. Fit handset to the slide bracket.



7. Attach shower hose to the diverter bar valve and check for any leaks