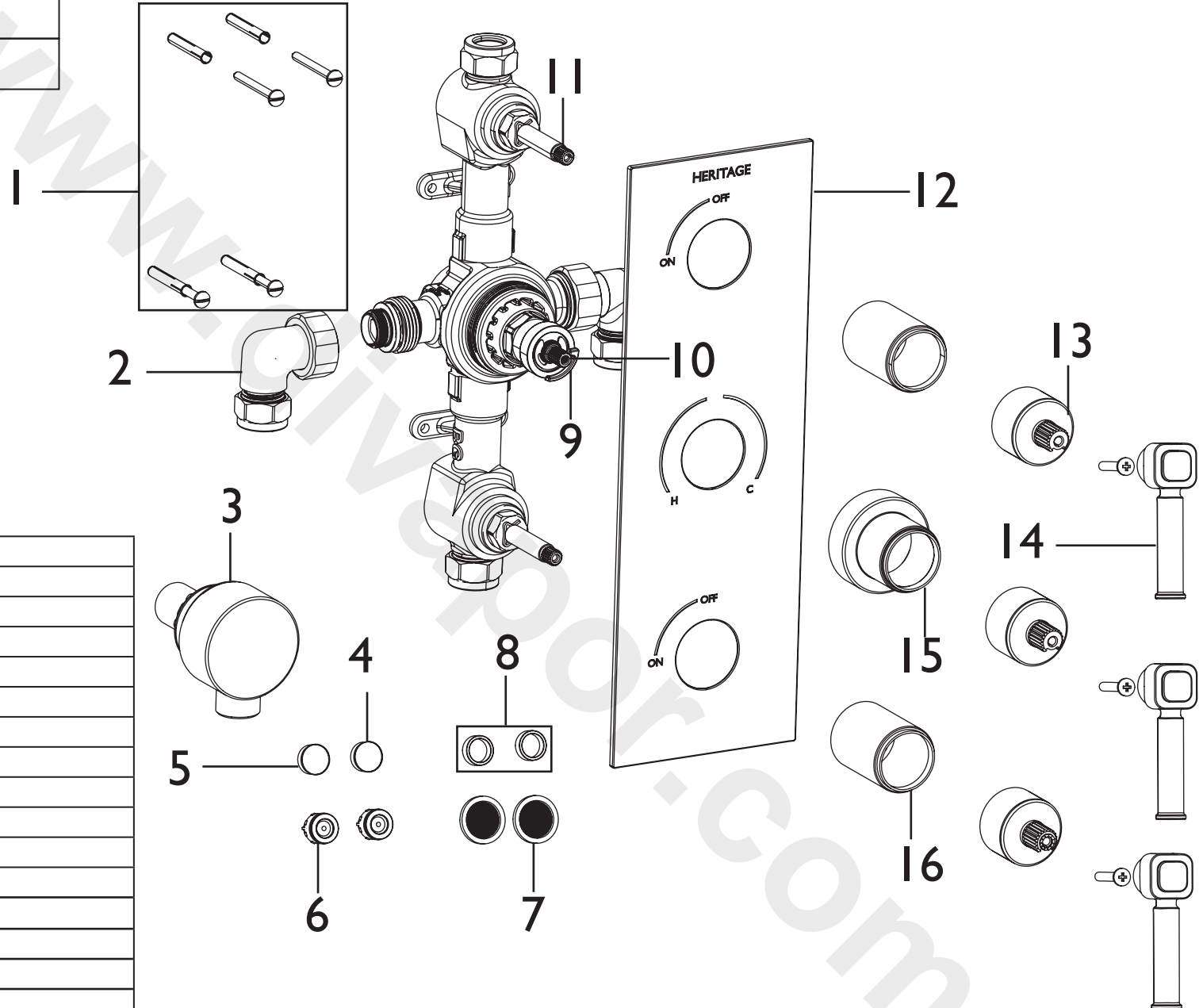


**Product Code:** SSOBC02

**Revision:** D1



1	Screw Pack
2	Elbow Assembly
3	Wall Outlet
4	5lpm Flow Limiter
5	7lpm Flow Limiter
6	Check Valve
7	Filter
8	Inserts (Pair)
9	Temperature Stop
10	Thermostatic Cartridge
11	3/4" Ceramic Disc Valve
12	Concealing Plate
13	Handle Adaptor
14	Handle Assembly
15	Temperature Shroud
16	Flow Shroud