

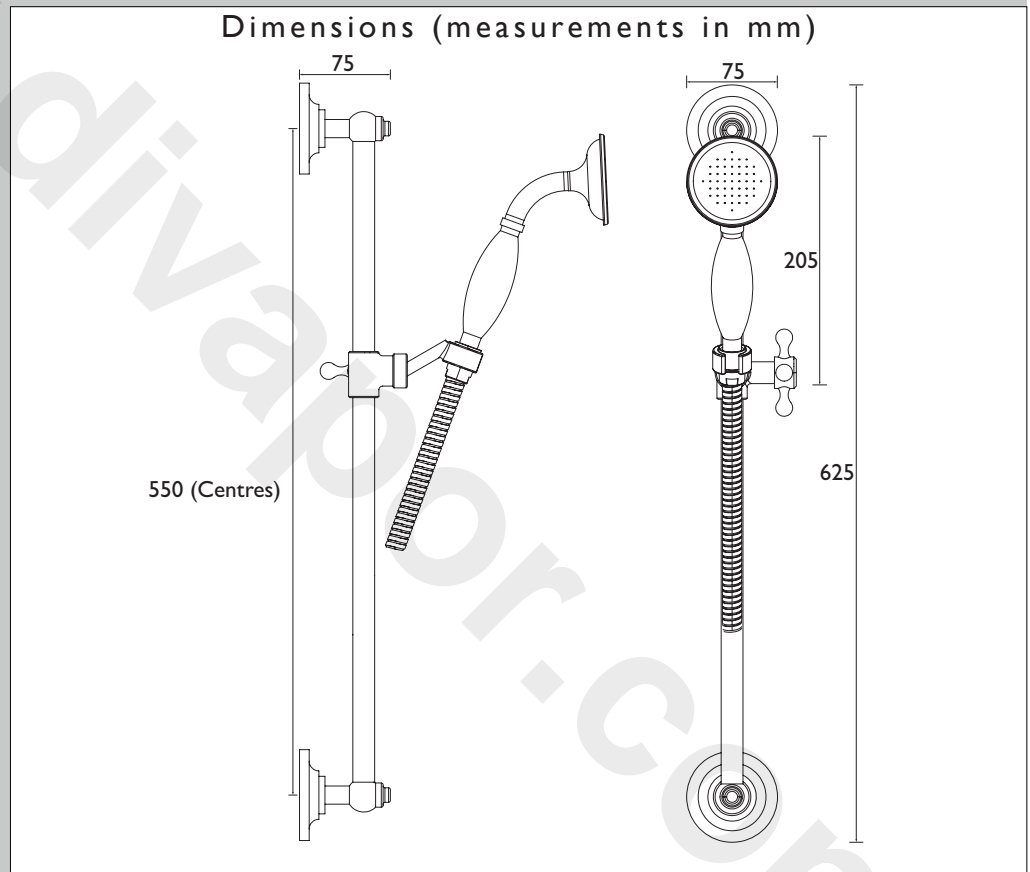


Specification	
Main Construction Material:	Brass
Adjustable Brackets:	No
Shower Head Type:	Traditional Handset
Maximum Hot Water Supply Temperature °C:	65
Maximum Static Pressure: (bar)	10
Plumbing System Suitability:	All - Ideally Balanced
Working Pressure Range:	Min 0.2 Bar, Max. 5.0 Bar
Connection Inlet:	G 1/2"
Isolation Valve Included:	No
Riser Length:	625mm
Rub Clean Handset:	Yes
Mounting Type:	Wall Mounted

Features:

- Single mode handset
- Available in a selection of finishes
- Brass Construction
- 5 Year Guarentee
- Easy to clean handset

Product Certifications:



Additional Information:

Flow Rates (l/min)						
System Pressure (bar)	0.2	0.5	1	2	3	5
Through Handset (mixed)	6.04	9.55	13.51	19.1	23.4	30.2