



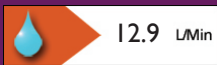
Specification

Main Construction Material:	Brass
Adjustable Brackets:	No
Shower Head Type:	Deluxe Handset
Maximum Hot Water Supply Temperature °C:	65
Maximum Static Pressure (Bar):	10
Plumbing System Suitability:	All - Ideally Balanced
Working Pressure Range:	Min. 0.2 Bar; Max. 5.0 Bar
Isolation Valve Included:	No
Riser Length:	635mm
Rub Clean Handset:	Yes
Mounting Type:	Wall Mounted
Inlet Connection:	G 1/2"

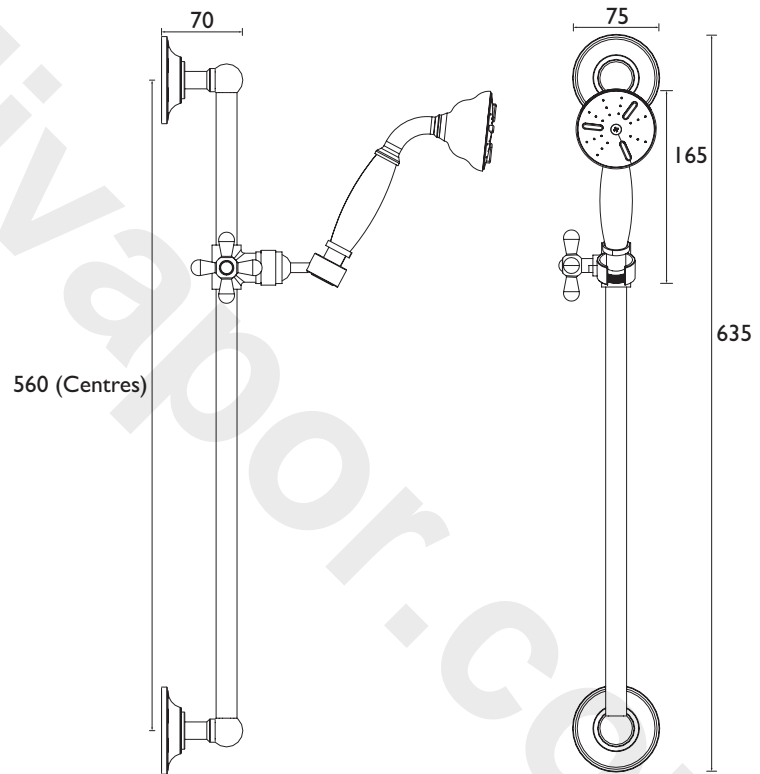
Features:

- Single Mode Handset
- Available in a selection of finishes
- Brass Construction
- 5 Year Guarantee
- Easy to clean handset

Product Certifications:



Dimensions (measurements in mm)



Additional Information:

Flow Rates (l/min)

System Pressure (bar)	0.2	0.5	1	2	3	5
Through Handset (mixed)		8.9	12.9	12.8	12.9	12.7