



Specification

Main Construction Material:	Brass
Adjustable Bracket:	No
Shower Head Type:	8" Shower Rose
Maximum Hot Water Supply Temperature °C:	65
Maximum Static Pressure (Bar):	10
Plumbing System Suitability:	All - Ideally Balanced
Working Pressure Range:	Min. 0.2 Bar; Max 5.0 Bar
Isolation Valve Included:	No
Riser Length:	1200 mm
Rub Clean Handset:	No
Mounting Type:	Wall Mounted
Inlet Connection:	G 1/2" BSP

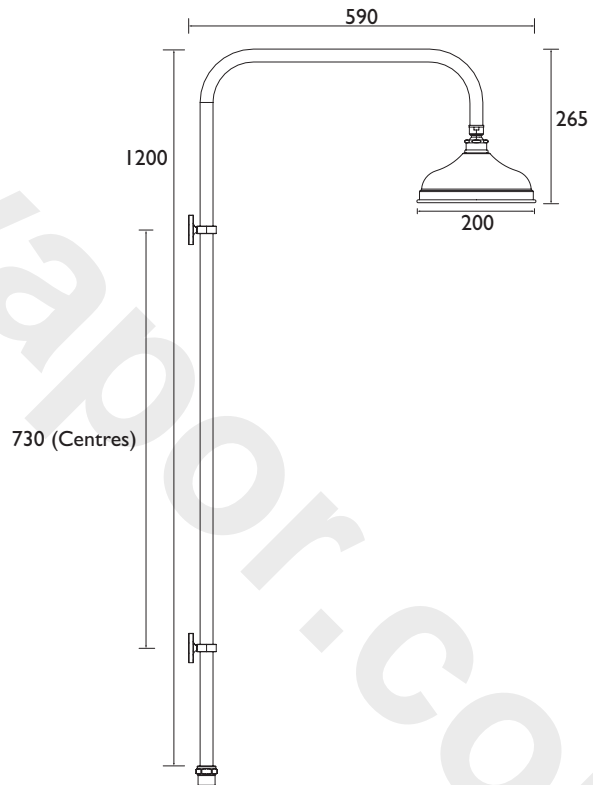
Features:

- Extra large 8" deluxe fixed head
- Available in a selection of finishes
- Brass Construction
- 5 Year Guarantee

Product Certifications:



Dimensions (measurements in mm)



Additional Information:

Flow Rates (l/min)

System Pressure (bar)	0.2	0.5	1	2	3	5
Through Handset (mixed)		7.1	10.6	13.3	13.3	11.6