



where inspiration flows

NOTION

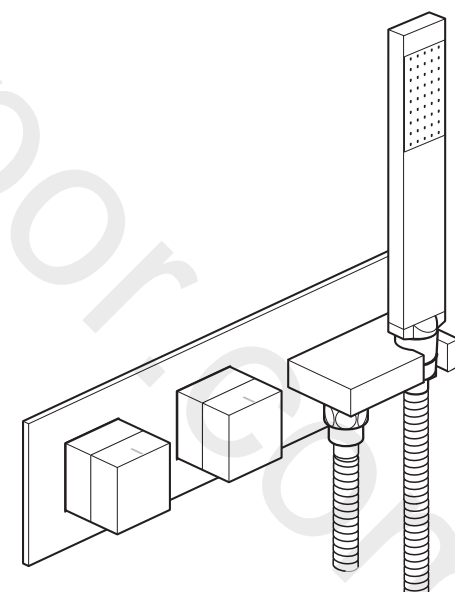
Installation Guide

2 handle, 2 outlet thermostatic shower valve

This instruction booklet covers model:

TAB-148/2WO-NOT-CP

TAB-148/2WO-NOT-CP



Vado
Wedmore Road, Cheddar, Somerset, England BS27 3EB
tel 01934 744466. fax 01934 744345
aftersales@vado.com
www.vado.com

Important - please read

Please read these instructions carefully before starting installation and keep for future reference.

Remove all packaging and check the product for missing parts or damage before starting installation.

Any alterations made to this product and fittings may infringe water regulations and will invalidate the guarantee.

The installation must comply with all Local/National Water Supply Authority Regulations/Byelaws and Building and Plumbing Regulations.

To be installed in accordance with BS EN806.

We strongly recommend that you use a qualified and registered plumber.

General installation

This fitting is a mixing device and therefore water supplies should be reasonably balanced.

When installed, the fitting must comply with the requirements of the Water Supply (Water Fittings) Regulations 1999 and Scottish Byelaws 2004.

For further information, contact the Water Regulations department of your local water supplier (see the WRAS website www.wras.co.uk for details) or the Water Regulations Advisory Scheme by email (info@wras.co.uk) or telephone: 01495848454.

Before making any inlet pipe connections, all supply pipes MUST be thoroughly flushed to remove debris. Failure to do so could result in damage or low flow from the mixer unit.

The fitting of isolating valves to the inlet feeds is advised for ease of maintenance.

Please take great care when installing this mixer not to damage its surface.

Please note if installing in an enclosed environment, access should be left for servicing and maintenance. No costs relating to inadequate access can be accepted.

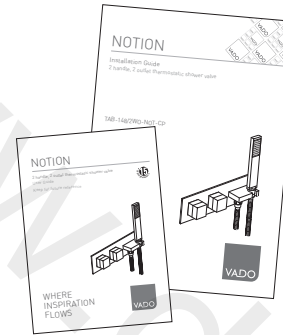
Operating Specifications

Operating Pressure

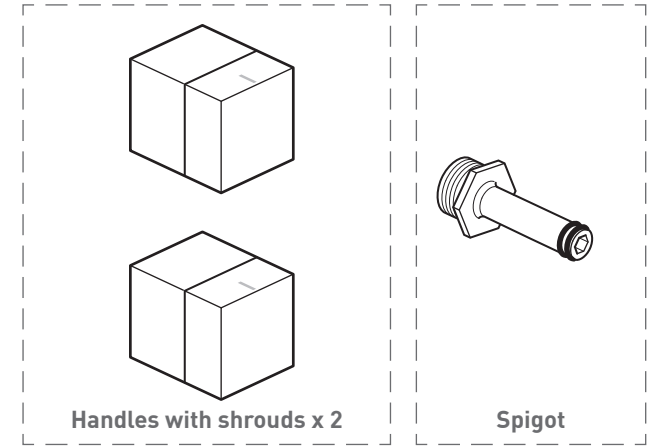
Minimum operating pressure **0.2 bar** (**1 bar** if used as a bath fill)

Maximum operating pressure **5 bar**

Contents of Packaging

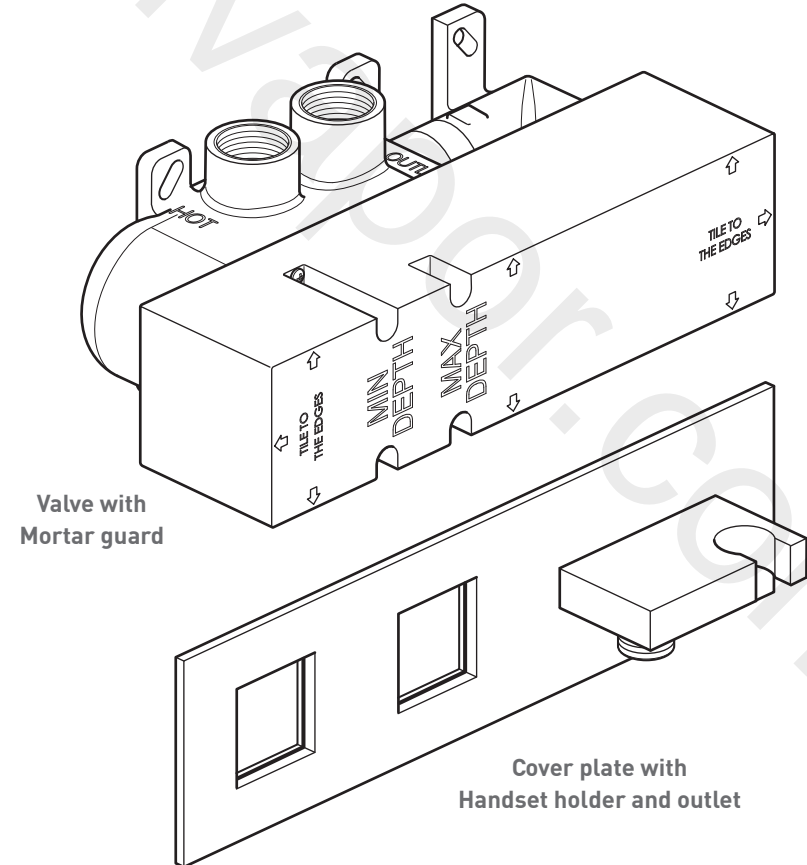


Installation guide &
User manual



Handles with shrouds x 2

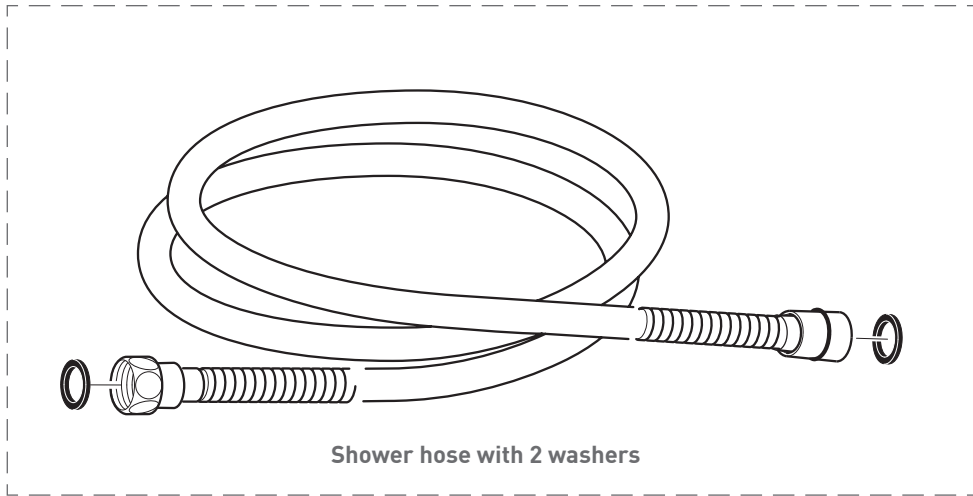
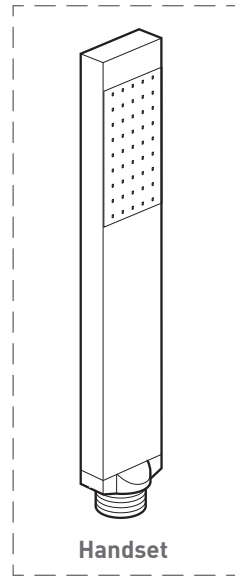
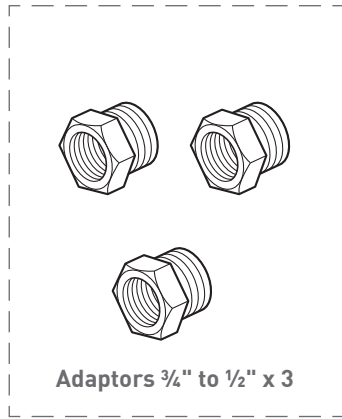
Spigot



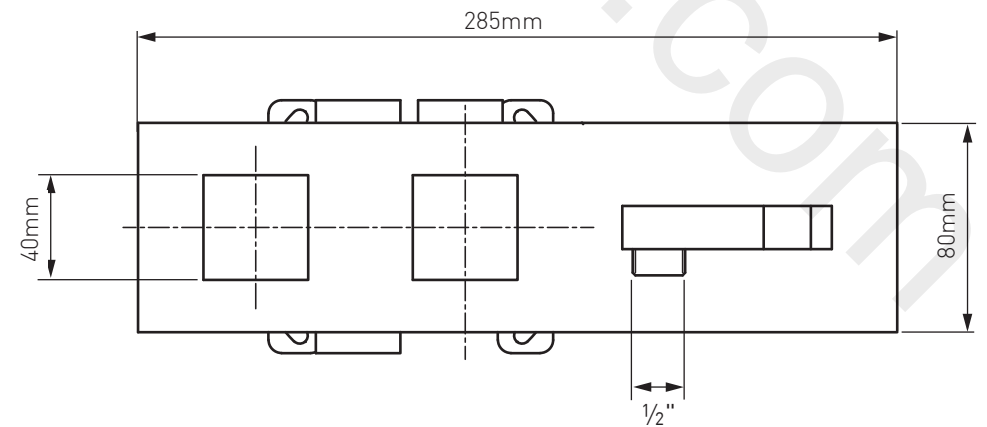
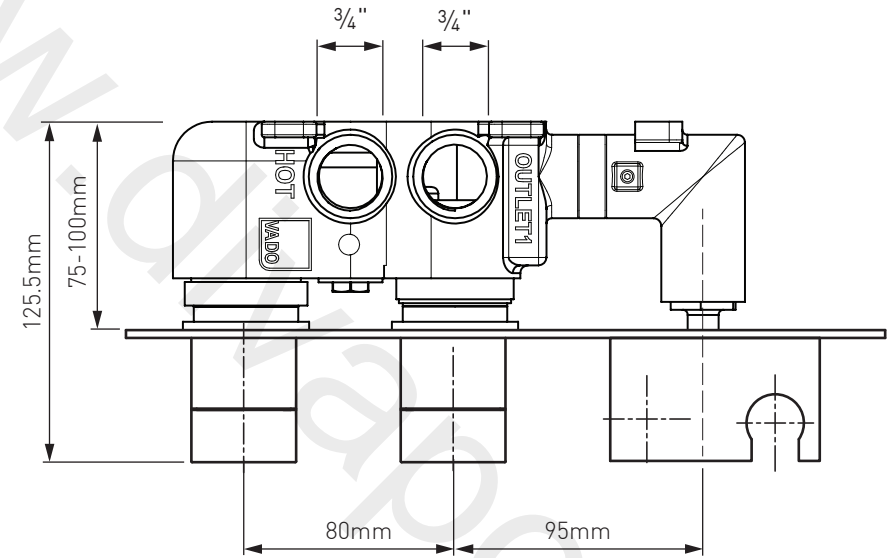
Valve with
Mortar guard

Cover plate with
Handset holder and outlet

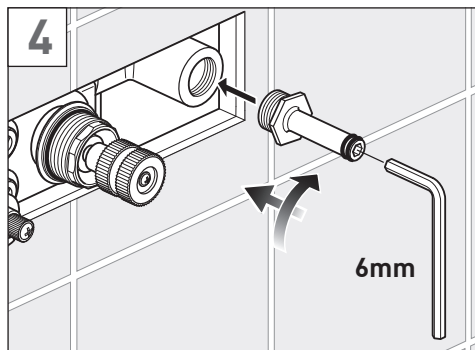
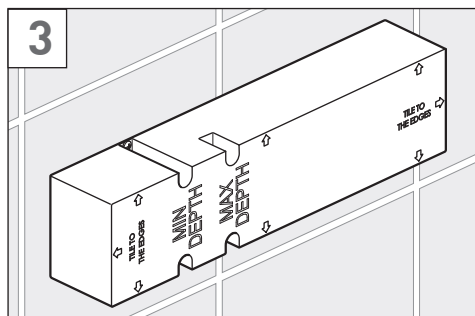
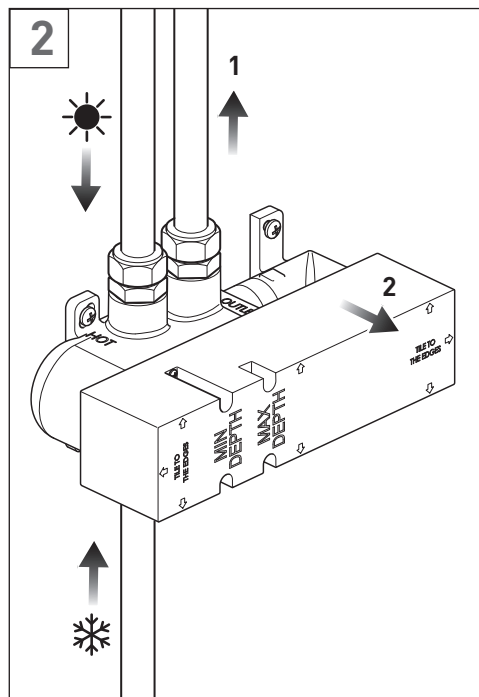
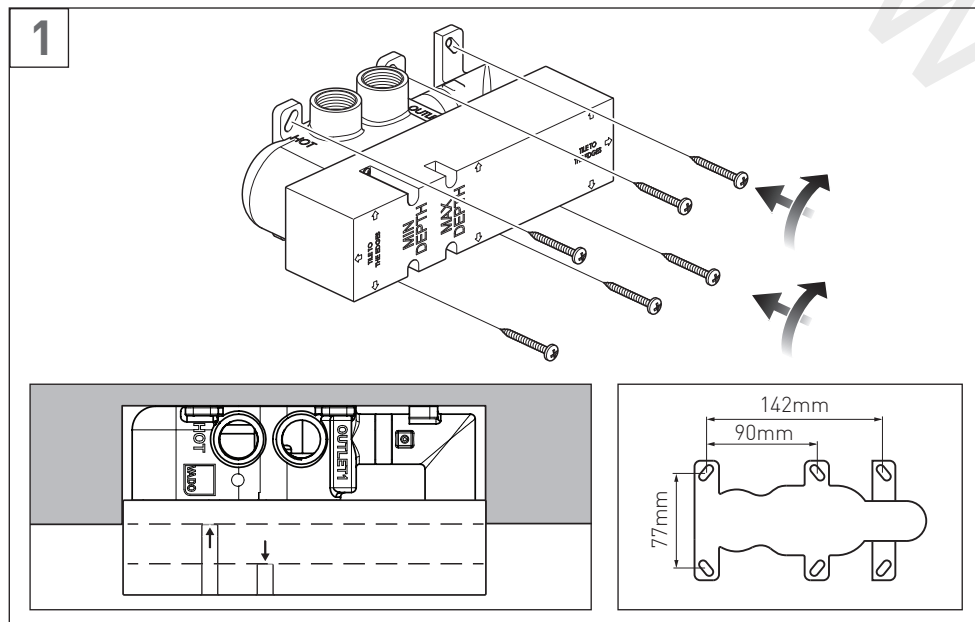
Contents of Packaging



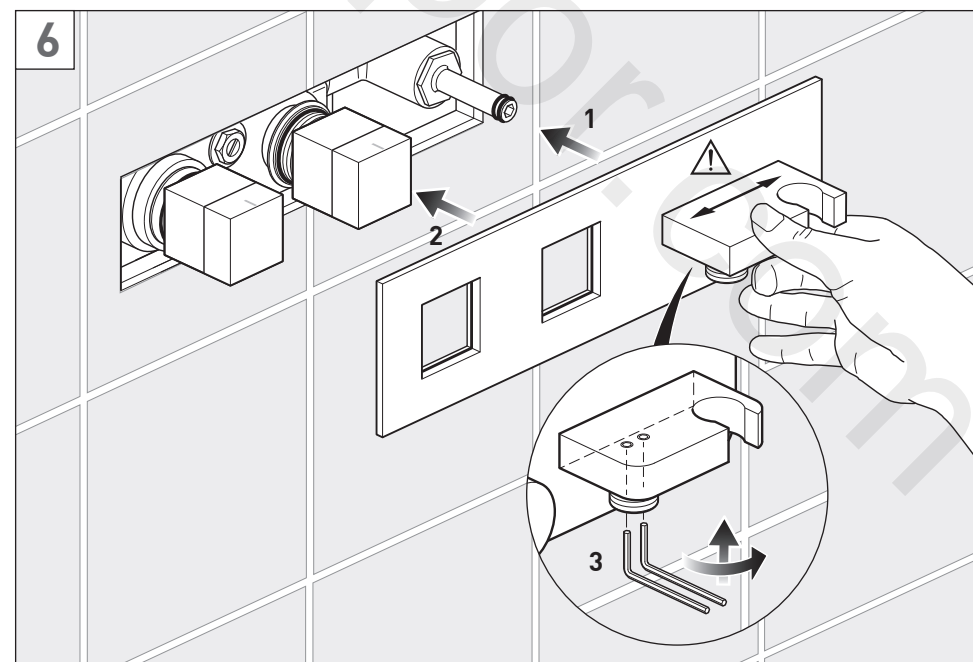
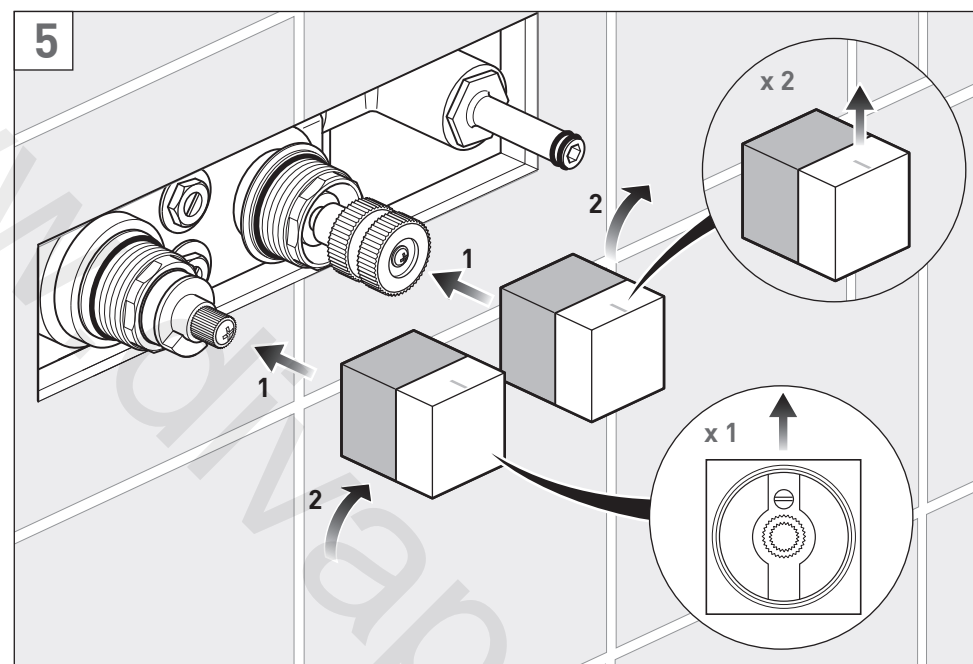
Dimensions



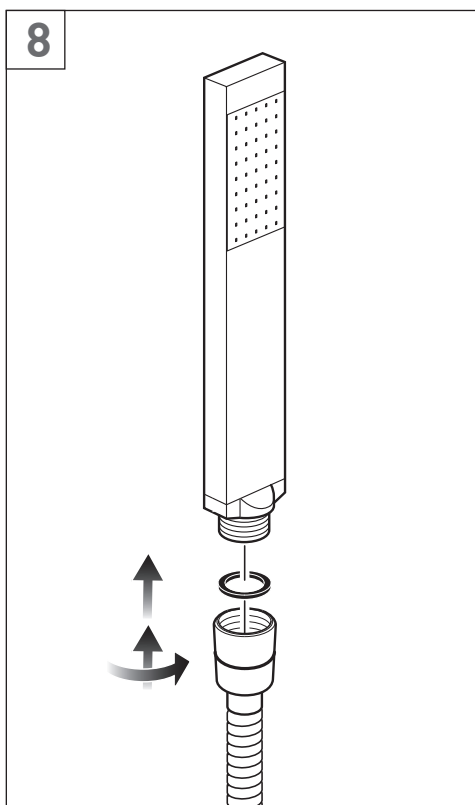
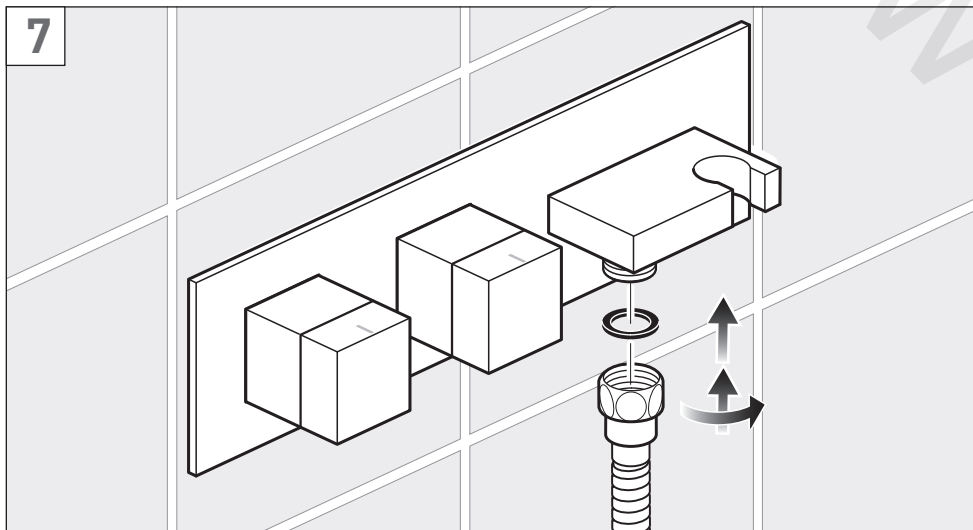
Installation - Quick guide



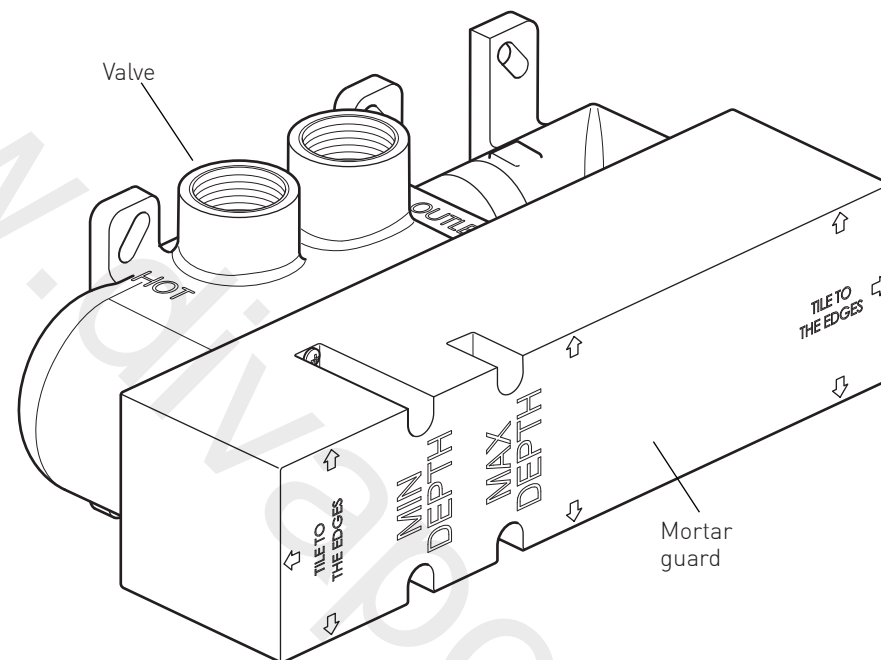
Installation - Quick guide



Installation - Quick guide



Installation



Flush pipe work thoroughly before fitting the valve.

Warning! Please check for any hidden cables and pipes before drilling holes in the wall.

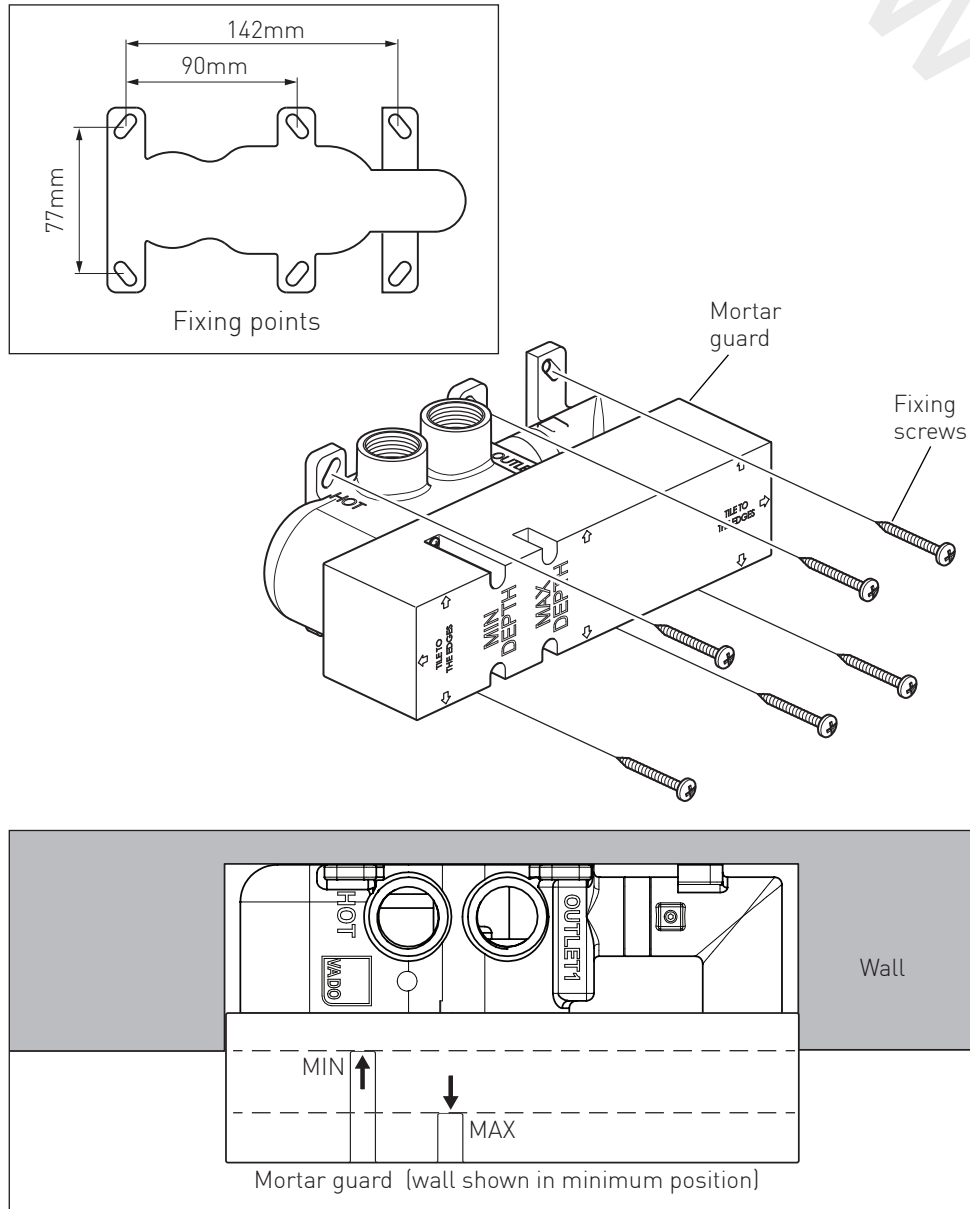
The valve must be set into the wall between (75mm minimum – 100mm maximum) If you are fitting the valve to a partition wall or a wall of particularly soft substrate you will need specialist fixings.

Please contact VADO or retailer for WG-STUDFAST-C-S/S fixing.

Mortar guard

During installation please leave the mortar guard secured to the valve to avoid damage to the product and protect the internals during tiling etc.

Installation



Select the position for the shower valve and offer the shower valve to the wall, make sure the valve is level and mark the 6 fixing points with a suitable pencil, see above for dimensions. Remove the shower valve from the wall, drill the holes to a suitable depth for the wall plugs and secure with suitable screws.

Installation

Connect cold supply to the lower left inlet of the valve and hot supply to the upper left inlet.

Connect outlet 1 to the desired channel e.g. to the shower head.

Note: outlet 2 will be connected to the handset.

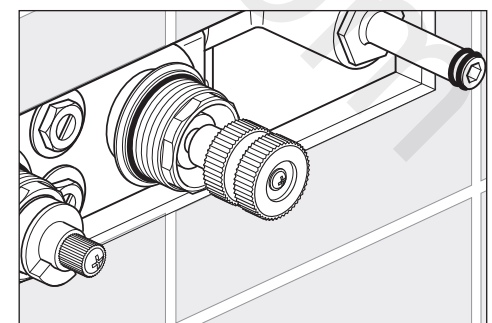
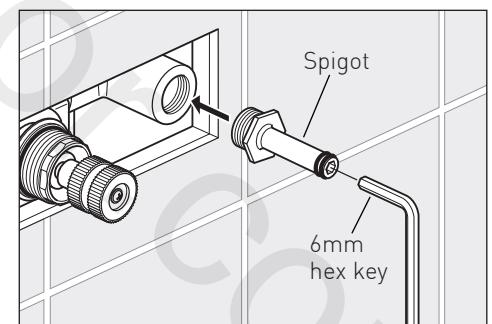
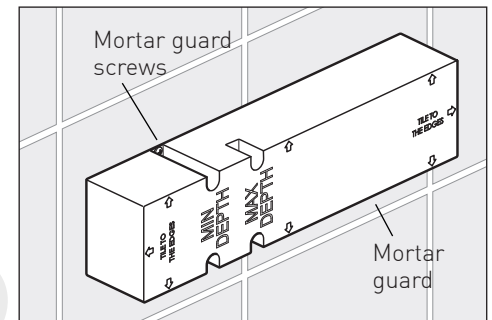
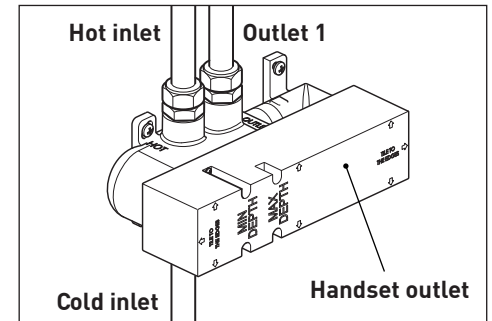
Finish the wall by tiling up to the mortar guard, keep the final finished wall surface between the min and max marks.

Unscrew the 2 mortar guard screws and remove from the wall.

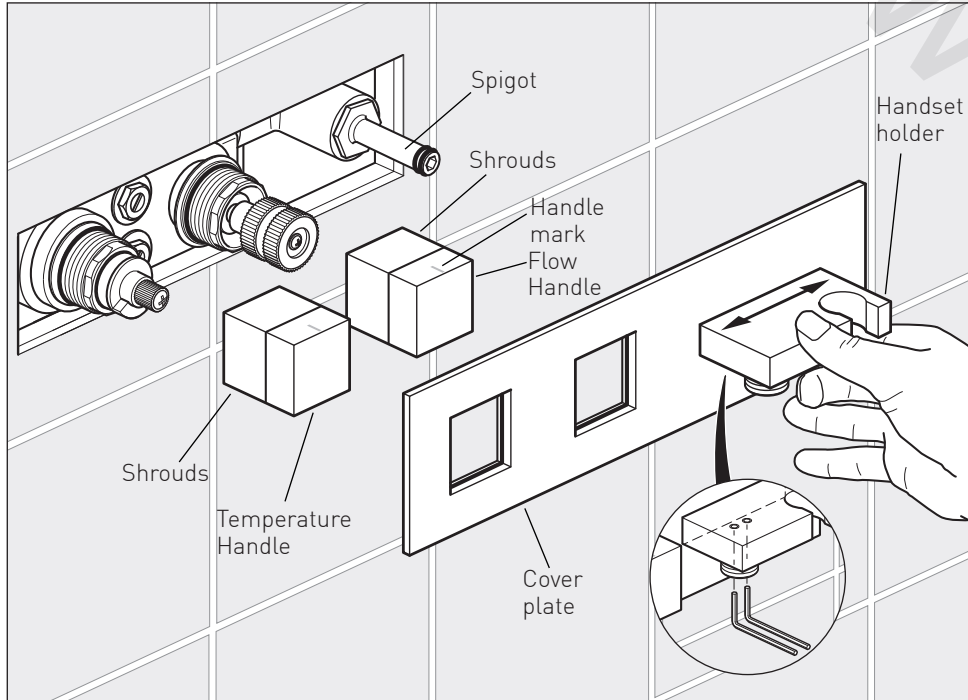
Screw spigot into the outlet on the valve. Tighten using a 6mm hex key.

Your valve is now ready to be commissioned.

Please refer to page 14 to ensure your valve is calibrated.

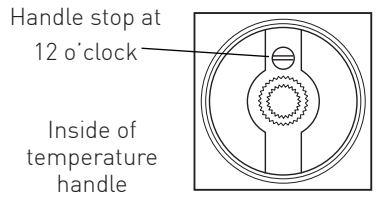


Installation - trim



Temperature handle (left)

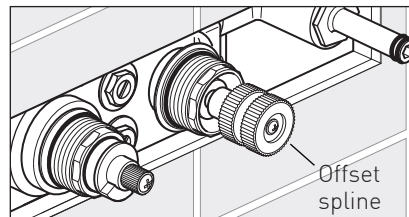
Ensure the temperature handle is correctly located with the handle stop at 12 o'clock (see right). Screw the shroud assembly to the valve whilst holding the handle.



Flow handle (right)

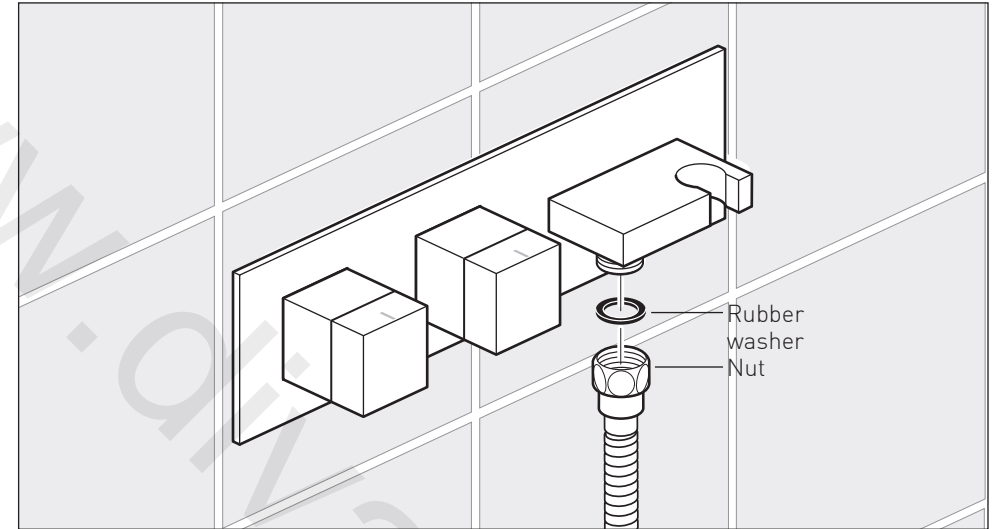
Screw the shroud assembly to the valve whilst holding the handle. Make sure that the handle mark is in the 12 o'clock position.

Please note: if the handle/shroud assemblies do not align, remove the offset spline and replace the other way up (see right).



The handset holder has slight adjustment. Guide the handset holder onto the spigot first and then slide the cover plate over the shrouds. Push the cover plate up to the wall and tighten the two grub screws on the underside of handset holder to secure it to the spigot. Apply a thin bead of silicone around the outside to seal against the tiled surface.

Installation - handset

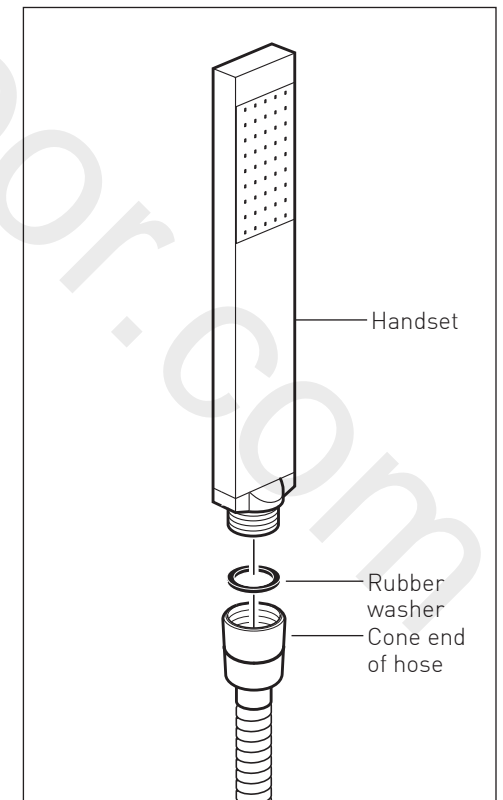


Handset outlet

Place a rubber washer into the nut end of the hose and attach it to the handset outlet (see above).

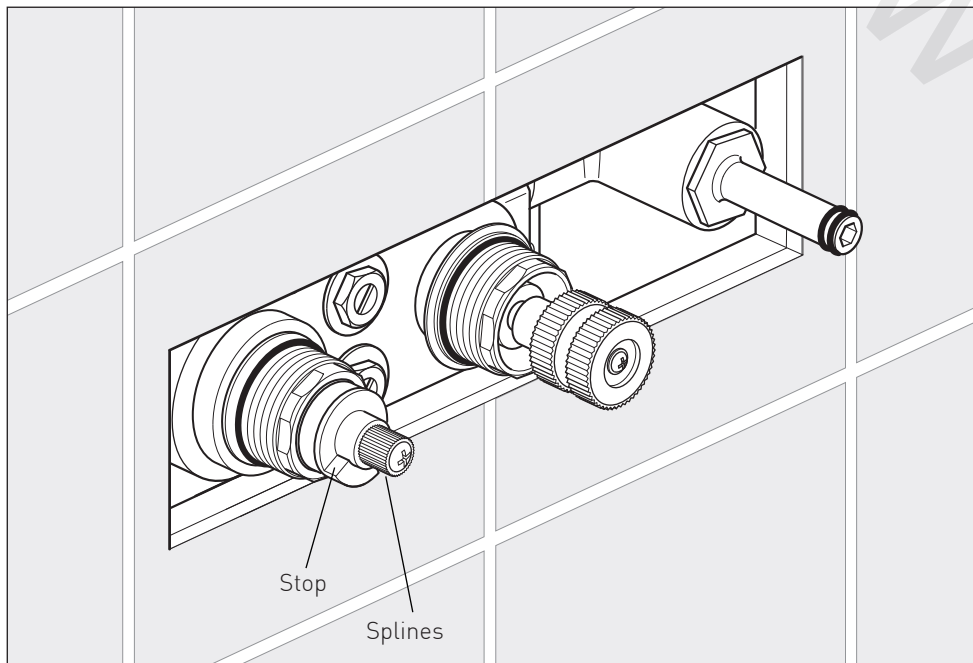
Handset

Place the other rubber washer into the cone end of the hose and screw to the handset (see right).



Temperature commissioning

Notes:



The valve has been factory set under balance pressures and hot water supply at 65° C. When your specific operating conditions are significantly different from the above, the temperature of the water may vary from the setting.

When the difference is too great, you can adjust the calibration of the valve to suit individual requirements of the installation:

1. Check the temperature of the water being delivered to the outlet with a thermometer when the handle mark is located at 12 o'clock.

NOTE: temperature readings should be taken at normal flow rate after allowing for the system to stabilise.

2. If the temperature is not 38° proceed to reset the calibration as follows:

Do not remove the plastic stop ring. Turn the spline of the valve clockwise to decrease the temperature and anti-clockwise to increase the temperature until 38° is achieved at outlet.

3. Ensure that the stop on the stop ring is at 8 o'clock.

When the handle is attached (see page 12) ensure the temperature does not exceed 46° when turned entirely anti-clockwise.

Your valve setting is now commissioned.