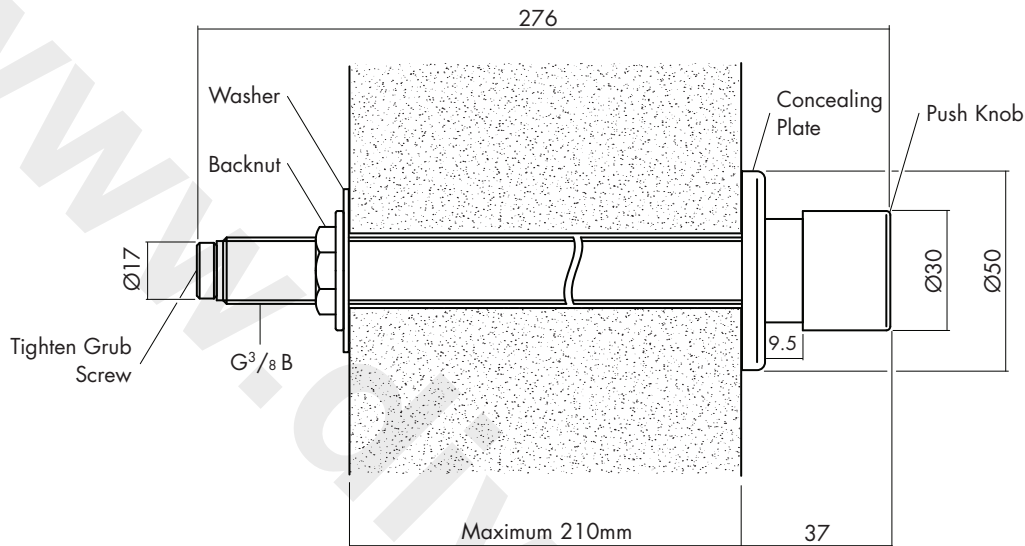


TF222CP Timed Flow Controller Extended Operator for Concealed Pipes

For use with VR993CR shower head



Operating Conditions

Max. Operating Pressure	10 bar
Min. Operating Pressure	0.2 bar
Max. Inlet Temperature	65°C
Timed Flow @ 1 bar	15 ± 3 sec

Water Byelaws

Your Inta timed flow controller must be connected in accordance with the Water Byelaws.

It is recommended that a service valve is installed in the supply pipe or alternatively via a thermostatic mixing valve, which has supply connections containing an isolating valve, in order to isolate the controller should servicing be required in the future.

Planning

The location and structural requirements should be carefully planned before installation commences.

Access should be available to the connections of the controller, extended operator and shower head.

The controller must be firmly supported and must not move when the operating knob is pushed.

The type and thickness of the wall, the thickness of wall tiles and access space for the controller must be considered before installation commences.

Dimensions

The controller should be located immediately below the shower head approximately 1.1 to 1.2 m above the floor of the shower area.

Drill a hole through the wall 20 to 22 mm in diameter, the total wall thickness should not exceed 210 mm.

The Inta TF222CF comes as 2 separate components, the timed flow controller and extended operator.

Installation - Extended Operator

Unscrew the backnut and washer from the threaded tube.

Screw the concealing plate up to the chrome stop.

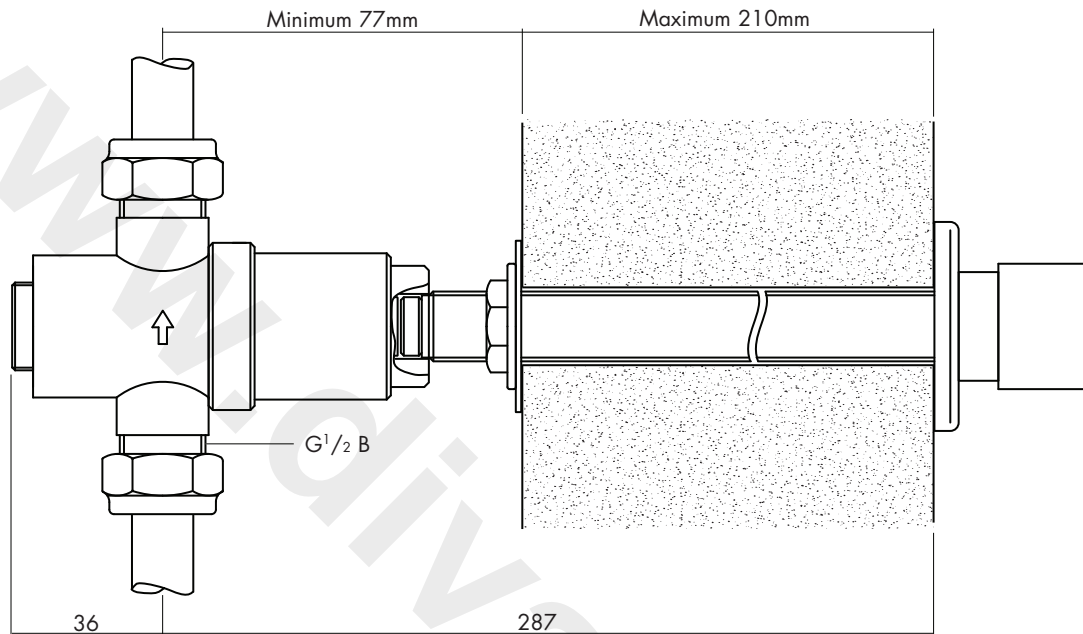
Apply silicone to sealer to the outer diameter on the inside of the concealing plate.

Insert the threaded tube through the hole in the wall and secure using the washer and backnut.

When in the open position the distance from the concealing plate to the underside of the push knob is 9.5 mm, measure this distance and hold the position.

TF222CP Timed Flow Controller Extended Operator for Concealed Pipes

For use with VR993CR shower head



Installation - Controller

The distance from the back of the concealing plate (wall surface) to the centre of the supply and shower pipes is fixed at 287mm.

Hold the controller in position, connected to the extended operator, and measure the distance from the wall to the centre of the supply and shower pipes.

Ensure that the supply and shower pipes are positioned to meet this dimension; bend the pipes as required and provide pipe support close to the controller.

The controller must be supported so that it cannot move when the operator is pressed. This can be provided by a purpose made bracket to suit the individual conditions, located on the threaded spigot on the side of the controller and screwed firmly to the wall.

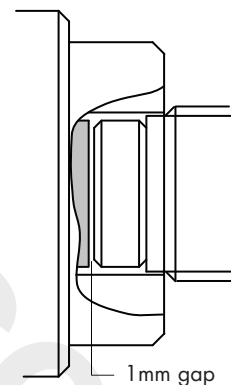
A fixing plate utilising M10 threaded rods fixed into the wall can provide an adjustable alternative.

Check that there is a **1mm gap** between the plunger and the piston of the controller when the push knob is pulled away from the wall (fully released position).

This is to ensure that the controller can return to the fully closed position once the push knob has been released.

Finally tighten the supply and shower pipes using the compression nuts and olives provided and make water tight joints.

It is important to ensure that the two grub screws on the valve body and the larger grub screw on the end of the plunger are tightened to prevent removal.



Assembly

Assemble the controller to the extended operator and supply and outlet pipes ensuring that **the flow direction arrow on the controller body is pointing upwards towards the shower head.**

Fit the support bracket to the valve and secure firmly to the wall.

Aftercare

To maintain the appearance of the push knob and concealing plate periodically they should be cleaned with a soft damp cloth and a mild detergent before rinsing.