

# BRISTAN

TAPS & SHOWERS

## Installation Instructions & User Guide

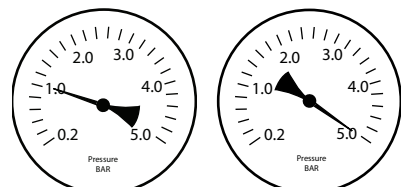
Please leave these instructions with the end user

Product code: TFP3004IR

### Specifications

#### Operating Water Pressure

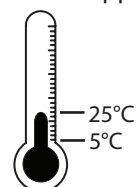
Min: 1.0bar Max: 5.0bar



Maximum Static Pressure: 10.0bar

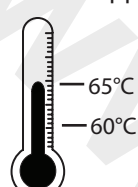
#### Inlet water temperature

Cold Water Supply



Min: 5°C Max: 25°C

Hot Water Supply

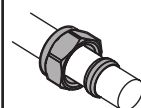


**IMPORTANT**  
The inlet hot water must be at least 10°C above the required blend temperature.

Factory pre-set 41°C



Inlet Connections  
15mm  
Compression

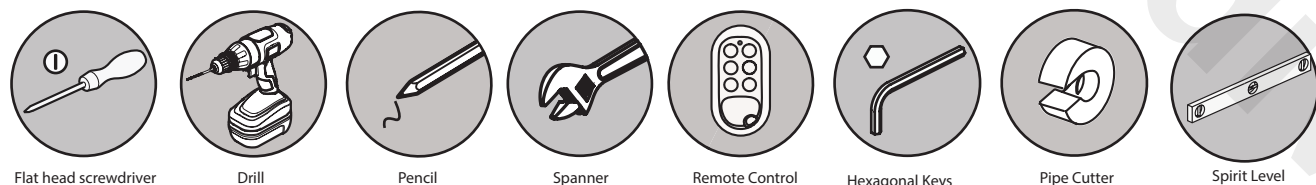


Power Supply:  
DC- 6V (4 x Alkaline LR6 1.5 V AA, preferably 2000mAh, not supplied)

Power Consumption:  
Static- <0.3MW  
Active- <3W

Sensing Range: 50mm to 160mm  
(+/- 10%)

### Tools You'll need



### Prior to Installation

All products manufactured and supplied by Bristan are safe provided they are installed, used correctly and receive regular maintenance in accordance with these instructions

This product needs to be installed in accordance with, and meet the requirements of the Water Supply (Water Fittings) Regulations 1999 and Scottish Byelaws 2004.

For product specific installation requirements, please visit [www.wras.co.uk](http://www.wras.co.uk)

Isolation valves must be fitted to the inlet water supplies to ensure ease of future maintenance.

Before installing this product the water supply must be thoroughly flushed in order to remove any swarf, solder etc.

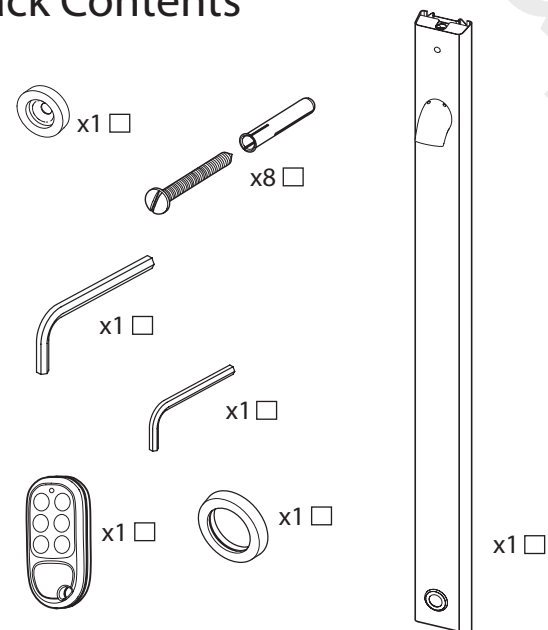
This product must not be modified in any way as this will invalidate the guarantee.

Full access must be made available for future maintenance / servicing purposes.

If in doubt, contact a registered plumber or your Local Water Authority or the Secretary of the Institute of Plumbing, address as follows:-

The Institute of Plumbing,  
64 Station Lane,  
Hornchurch,  
Essex,  
RM12 6NB, Tel: 01708 472791

### Pack Contents



### Why not visit our Youtube channel

To see our latest how-to videos, simply scan the QR code with your smart phone or tablet.



Alternatively visit [www.youtube.com/bristantv](http://www.youtube.com/bristantv)

### Installation

**1**

Loosen shower head grub screws, remove the shower head, unscrew the nut and remove the O-ring and anti rotation pin from the panel.

**2**

Loosen the sensor grub screw, remove the collar, remove the nut and the O-ring from the shower panel.

**3**

Remove the panel from the shower backplate.

**4**

Decide on a position of the shower panel. Place the shower backplate on the wall and mark fixing hole location.

**5**

Drill and plug holes to suit.

**REMEMBER**  
Prior to drilling into walls check there are no hidden electrical wires, cables or water supply pipes

**6**

Secure panel backplate to the wall with plugs and screws provided (solid walls only) or suitable alternative

**7**

Connect inlet pipe.

**REMEMBER**  
Before the installation, flush the system to remove any swarf, solder etc.

**8**

To open the battery pack, lift the flap and slide the battery pack cover down.

**9**

Insert 4 x Alkaline LR6 1.5 V AA (preferably 2000mAh) batteries to the battery pack. Slide the battery pack cover up.

**10**

Place the cover onto panel backplate ensuring the cover support is placed on top of the cover support bracket.

**11**

Screw the nut onto sensor, ensuring that o'ring is fitted between the nut and the panel. Screw the collar onto the sensor and secure with grub screw.

**12**

Screw the nut onto the head post ensuring the O'ring is fitted between the nut and the panel. Push shower head onto head post ensuring the pin is located in anti rotation pin hole and secure with grub screw.

**13**

Prise the cap out, Turn the isolation valve on and replace the cap. Set up preferable shower sensor mode by using shower remote (separate quick start guide included)

**Maintenance- Flow Limiter Replacement**

**1** Turn the isolation valve off.

**2** Remove the shower head, sensor and following installation steps from 1 to 3.

**3** Remove the plastic ring and the flow limiter (factory fitted with 7l/min, head post. Replace the flow limiter and the plastic ring to the shower head post.

**4** Replace the shower head, sensor and following installations steps from 10 to 13.

**Spray Pattern**

**1** Turn Service Mode on, remove the screw in the shower head.

**2** Remove the middle and inner spray ring from the shower head.

**3** Spray pattern can be changed by swapping middle and/or inner spray rings with the blanking spray rings.

**4** Replace inner, middle spray rings and the screw into the shower head.

**5** Tighten the screw and turn Service mode off.

**Servicing Intervals**

**REMEMBER** To service your product!

We recommend this shower is serviced every 6-12 months depending on the hardness of your water. To reduce the build up of limescale and to ensure this shower works to its maximum performance

**Spare Parts**

To replace any spare parts for your shower why not scan the below QR Code and search for your product.

**4** Replace inner, middle spray rings and the screw into the shower head.

**5** Tighten the screw and turn Service mode off.

**Adjusting Spray Pattern Angle**

**1** Turn Service Mode on then loosen the screw in the shower head.

**2** Adjust the angle of the spray rings, the angle can be adjusted +/- 15 degrees.

**3** Tighten the screw and turn Service Mode off.

**REMEMBER** Never use abrasive detergents

We recommend to clean the panel with damp cloth and mild soap.

**Battery Replacement**

**1** Turn the Service Mode on. Follow the installation steps from 1 to 3.

**2** To open the battery pack, lift the flap and slide the battery pack cover down.

**3** Replace batteries (4 x Alkaline LR6 2000mAh) 1.5 V AA, preferably

**4** Slide the battery pack cover up.

**5** Follow the installation steps from 10 to 13. Turn the Service Mode off.

**Troubleshooting**

Symptom	Cause	Remedy
No flow or low flow rate	Partially closed isolation valve.	Open isolation valve.
Instantaneous water heater cycles on and off as flow rate or pressure is too low.	Head of water is below the minimum distance required.	Minimum 2 meters required.
Airlock or partial blockage in the supply pipework.	Flush through pipework to ensure removal of debris and any airlocks.	
Reduced or irregular spray pattern	Build up of debris in the shower head.	Refer to the 'Spray pattern' section. Clean the shower head inserts in the descaler.
Water dripping from shower	This is normal for a short time after using the shower.	This is caused by capillary action, the build up of water in the shower.
If water continues to drip	Please contact Customer Service at Bristan.	
Shower does not turn on	Shower does not turn on	Closed isolation valve. Open isolation valve.
	Mains water supply turned off.	Turn on mains water supply.
	Battery failure (sensor will flash 8 times)	Refer to the 'Battery replacement' section

At Bristan, we want to make things as easy as possible for our customers. That's why we offer solid guarantees on all our products, effective from the date of purchase, to give you peace of mind.

To start your free guarantee simply scan the QR code and register your product, alternatively visit [www.bristan.com/register](http://www.bristan.com/register).

For any other queries, please call our Customer Service on 03300266273 where our expert team of advisors will be able to offer you any help and advice.

For full guarantee terms and conditions visit [www.bristan.com/guarantees](http://www.bristan.com/guarantees).

**We Know & We Care**