



Specification

| | |
|--|-----------------------------------|
| Product Type: | Taps |
| Main Construction Material: | Brass |
| Mount Type: | Deck Mounted |
| Handle Type: | Crosshead Handles |
| Connection Inlet: | G3/4" BSP |
| Connection Outlet: | Open |
| Number of Tap Holes: | 2 |
| Valve/Cartridge Type: | 1/4 Turn 3/4" Ceramic Disc Valve |
| Plumbing System Requirements: | Suitable for all plumbing systems |
| Minimum Dynamic Pressure (bar): | 0.2 bar |
| Maximum Dynamic Pressure (bar): | 5.0 bar |
| Maximum Hot Water Temperature °C: | 60°C |
| Maximum Static Pressure (bar): | 10 bar |
| Flow Type: | Single Flow |
| Isolation Included: | No |

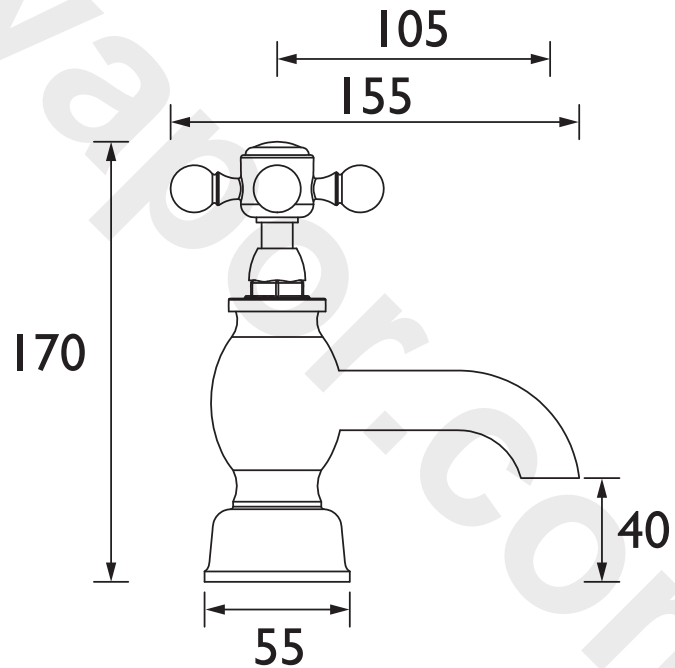
Features:

- Compatible with low pressure water systems, optimised for UK market
- Quarter turn ceramic discs - for smooth operation and added durability
- Available in a selection of finishes

Product Certifications:

Additional Information:

Dimensions (measurements in mm)



Flow Rates (l/min)

| System Pressure (bar) | 0.2 | 0.5 | 1 | 2 | 3 | 5 |
|-----------------------|------|------|------|------|------|------|
| THRG01 (Cold) | 12.5 | 20.1 | 27.9 | 39.5 | 48.3 | 62.4 |
| THRG01 (Hot) | 12.9 | 20.5 | 29 | 41 | 50.2 | 64.5 |