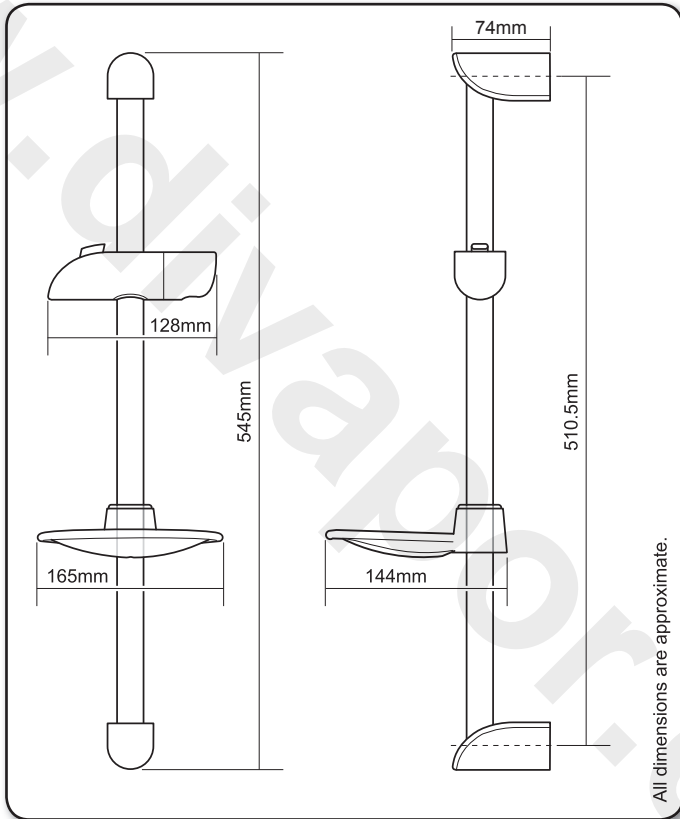


LEON

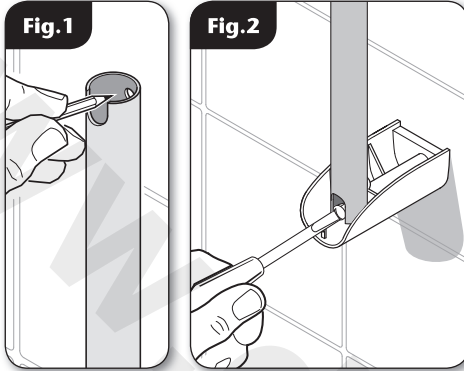
Riser rail assembly



Installation Instructions

INSTALLERS PLEASE NOTE THESE INSTRUCTIONS ARE TO BE LEFT WITH THE USER

FITTING THE RISER RAIL ASSEMBLY



FITTING THE RISER RAIL

WARNING!

Check there are no hidden cables or pipes before drilling holes for wall plugs. Use great care when using power tools near water. The use of a residual current device (RCD) is recommended.

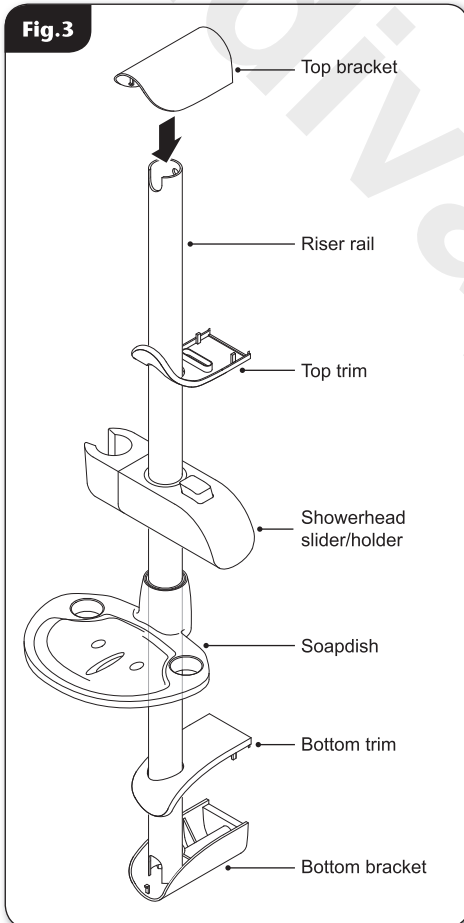
Decide the position for the rail on the wall within the shower area. Proceed as follows:

- Offer one of the brackets to the wall for the lower position (both brackets are the same) and mark the centre fixing hole position.
- Drill and plug the wall. (*An appropriate drill bit should be used. If the wall is brick, plasterboard or a soft building block, appropriate wall plugs and screws should be fitted.*)
- Using the riser rail as a guide, line up the bottom hole with the wall plug just fitted. Making sure the rail is positioned straight, mark the top fixing hole (**fig.1**).
- Drill and plug the wall as described above.
- Offer the bottom bracket and riser rail to the wall and secure, but **DO NOT** fully tighten yet (**fig.2**).

Note: *The large cut out section on the riser rail should be at the front when fitting it.*

- Before the top bracket can be secured into place, the following items need to be fitted onto the riser rail in the order and orientation shown in (**fig.3**) - the slider/holder can be fitted with the showerhead on either the left or right of the riser rail.
- Once all items are in place the top bracket should be secured to the wall and bottom bracket fully tightened.
- Finally the top and bottom trims can be clicked into place.

Should the need arise, the trim cover can be removed by inserting a screwdriver and very carefully levering it away from the bracket.



FITTING THE RISER RAIL ASSEMBLY

FITTING THE HOSE AND SHOWERHEAD

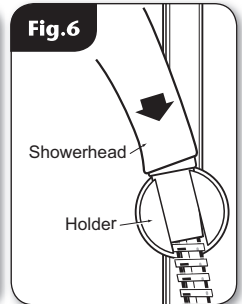
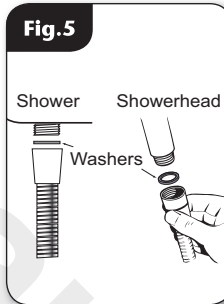
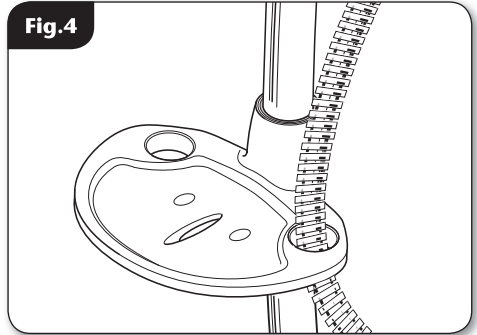
- Feed the flexible hose through the appropriate soap dish opening (**fig.4**) so that the dish acts as a retaining ring (Water Regulations).

Note: *The holder is slightly tapered and the showerhead and hose will only fit from one direction.*

- Screw the flexible hose onto the shower outlet and showerhead (**fig.5**), making sure the supplied washers are in place at both ends of the flexible hose.
- Place the showerhead into the holder (**fig.6**) and check that it fits correctly.

IMPORTANT: *This riser rail assembly is supplied with a hose retainer. Water Regulations require the fitting of a double check valve or similar device in the supply pipework to prevent backflow if the retainer is not used.*

IMPORTANT: *It is the conical end of the hose which grips into the holder. The showerhead will not fit in the holder without the hose attached.*

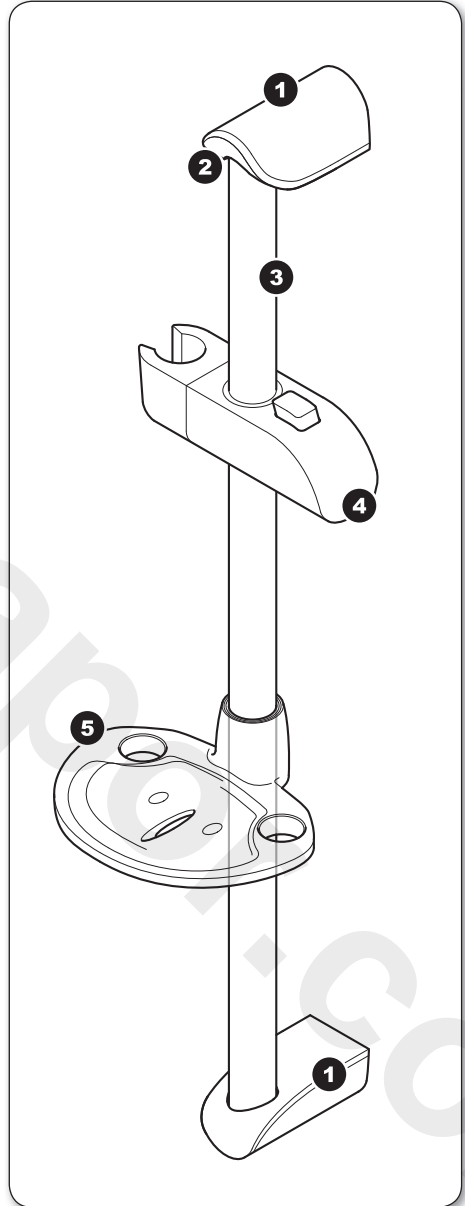


SPARE PARTS

Ref. Description	Part Number
- Kit without rail	
<i>white</i>	88900031
<i>chrome</i>	88900032
1. Brackets (pair)	
<i>white</i>	83314430
<i>chrome</i>	83314440
2. Trim (single)	
<i>white</i>	83314450
<i>chrome</i>	83314460
3. Riser rail 530mm	
<i>anodised</i>	88800021
<i>chrome</i>	88800022
4. Showerhead holder	
<i>white</i>	83314470
<i>chrome</i>	83314480
5. Soap dish	
<i>clear</i>	22011850

Flexible hoses available in the following sizes:

- 1.00m in white, chrome and gold
- 1.25m in white, chrome and gold
- 1.75m in chrome only



Please refer to shower installation and operating instructions for service details