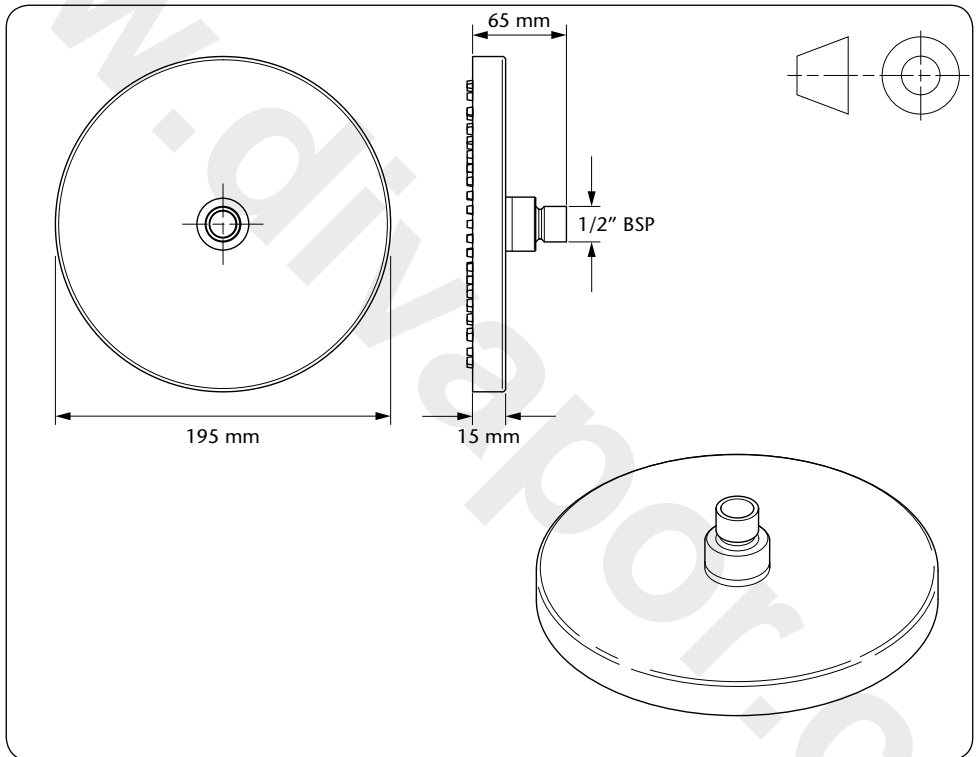


# **ISABEL 3**

## ***fixed showerhead***



## **Installation Instructions**

INSTALLERS PLEASE NOTE THESE INSTRUCTIONS ARE TO BE LEFT WITH THE USER

2181490A - August 2016

## INTRODUCTION

Your shower is supplied with a single mode fixed showerhead, with a rub clean head.

## CLEANING

### WARNING!

**Do not use abrasive or solvent cleaning fluids. The showerhead should be cleaned using a soft cloth and warm water.**

Before cleaning, turn off the unit at the mains supply to avoid the shower being accidentally switched on.

IT IS IMPORTANT TO KEEP THE SHOWERHEAD CLEAN TO MAINTAIN THE PERFORMANCE OF THE SHOWER. The hardness of the water will determine the frequency of cleaning. For example, if the shower is used every day in a very hard water area, it may be necessary to clean the showerhead on a weekly basis.

To clean the nozzles simply rub your thumb over them.

DO NOT use a pin or similar to poke the holes otherwise the efficiency of the shower spray will be impaired.

In extreme cases, remove the showerhead and leave to soak overnight in a mild proprietary descaler. Make sure all traces of scale are removed and thoroughly rinse in clean water afterwards.

Before refitting the showerhead, flush any debris out of the arm.

## SPARES

<i>Ref.</i>	<i>Description</i>	<i>Part No.</i>
1.	Fixed showerhead	88600027

