

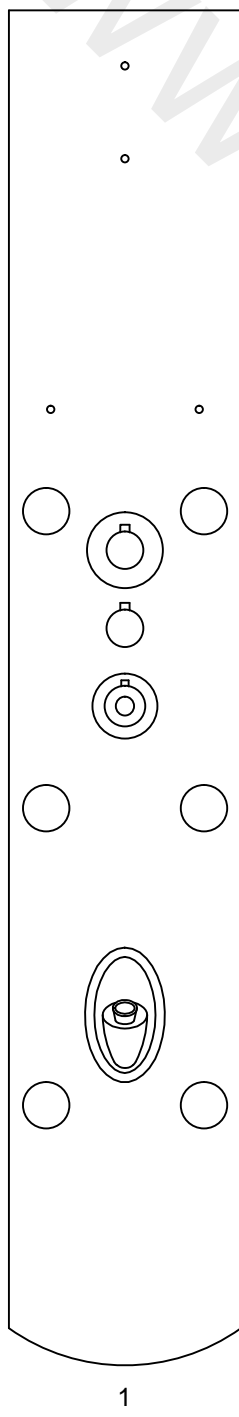
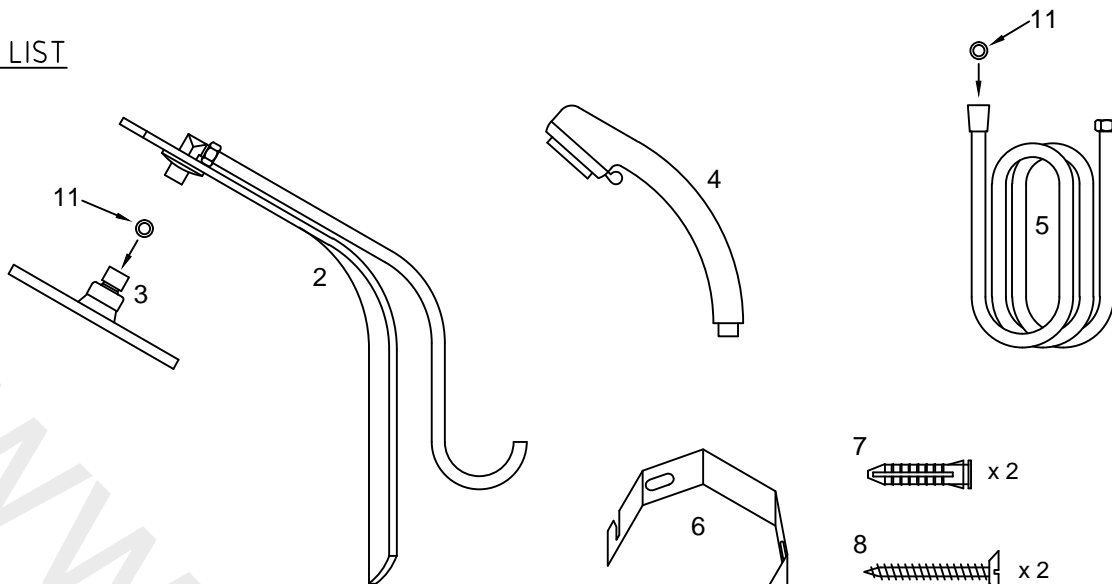
Model No. TRUSP301
Type 1 Shower Panel

Contents

Packing List
Assembly/Technical Data
Installation

TRUSP301 Type 1 Shower panel

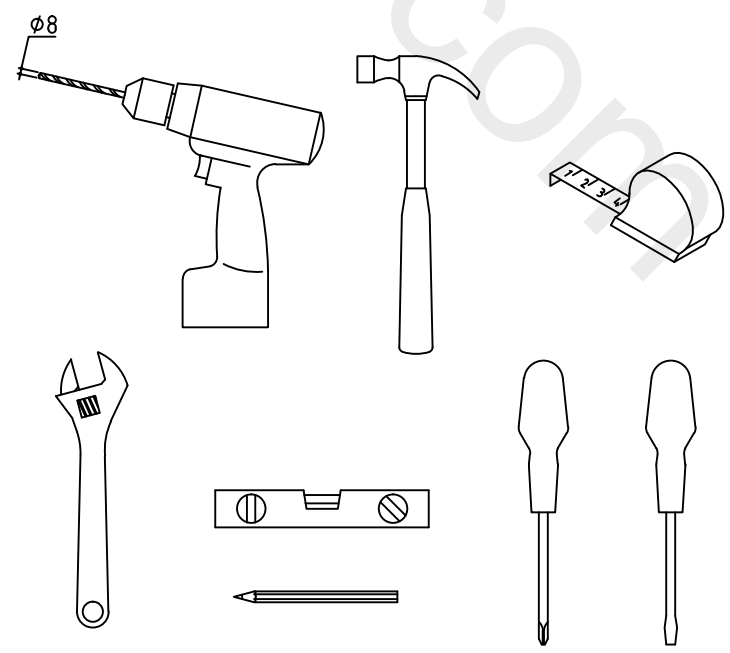
PARTS LIST



- 9 x 2
- 10 x 2
- 11 x 2
- 12
- 15 x 2

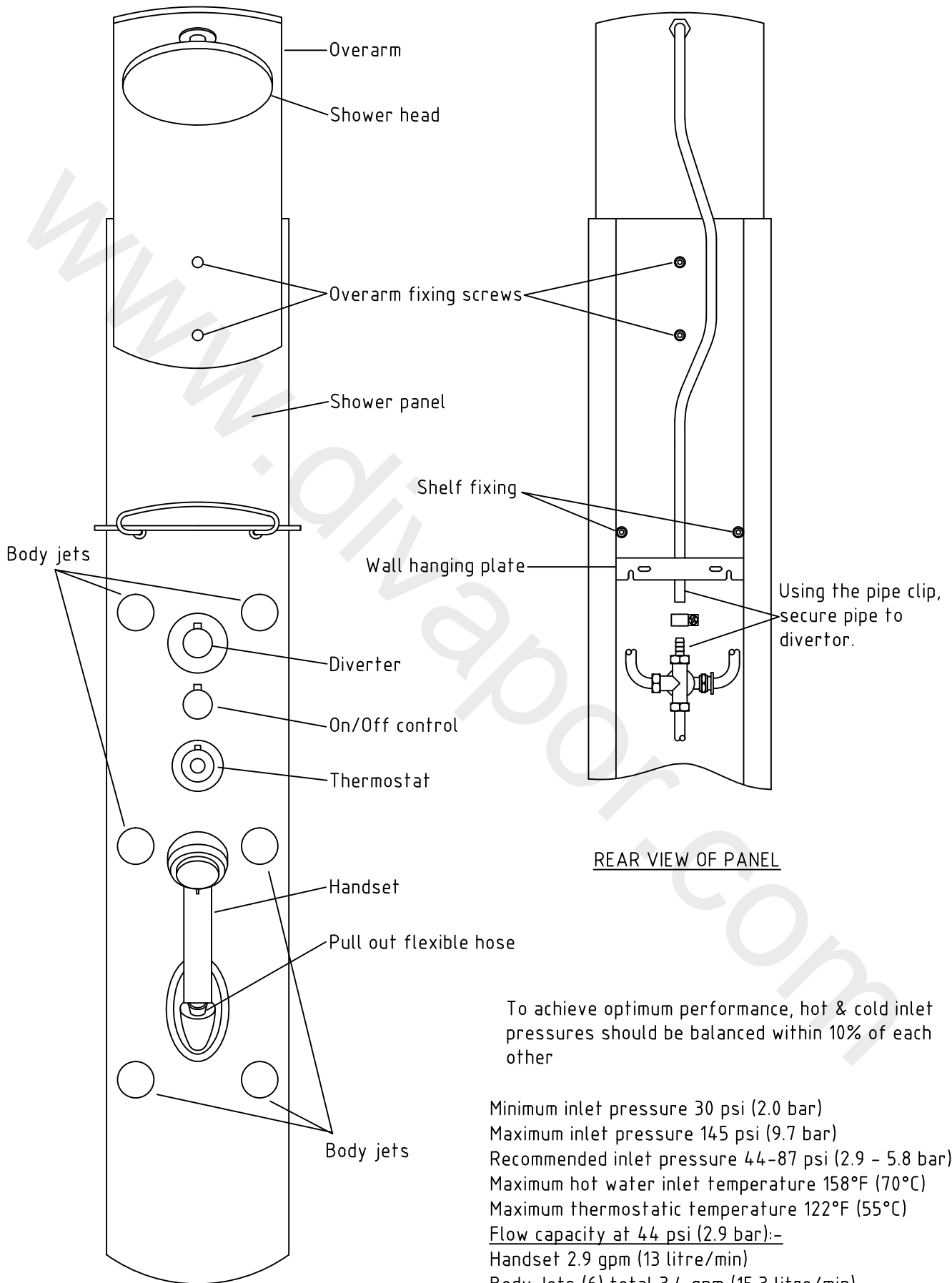
- 1. Shower panel
- 2. Overarm
- 3. Shower head
- 4. Handset
- 5. Flexible hose (fitted to panel)
- 6. Corner mounting bracket
- 7. Wall plug (2)
- 8. Screw (2)
- 9. Overarm fixing screws (2)
- 10. Gauze filter (2)
- 11. Rubber seal (2)
- 12. Pipe clip
- 13. Shelf support
- 14. Shelf
- 15. Blanking plug (2)

TOOLS REQUIRED



TRUSP301 Type 1 Shower Panel

ASSEMBLY & TECHNICAL DATA

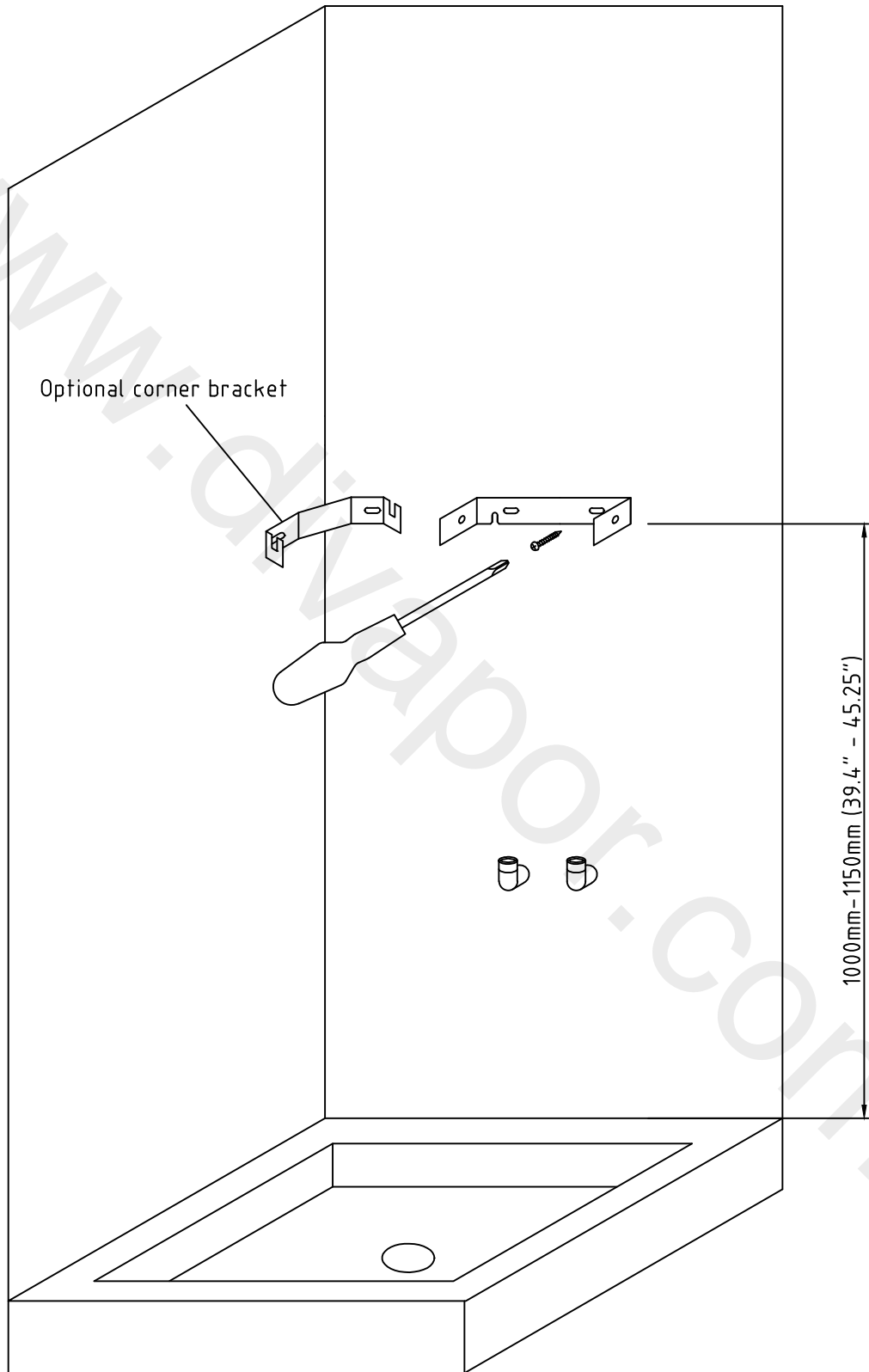


To achieve optimum performance, hot & cold inlet pressures should be balanced within 10% of each other

- Minimum inlet pressure 30 psi (2.0 bar)
- Maximum inlet pressure 145 psi (9.7 bar)
- Recommended inlet pressure 44-87 psi (2.9 - 5.8 bar)
- Maximum hot water inlet temperature 158°F (70°C)
- Maximum thermostatic temperature 122°F (55°C)
- Flow capacity at 44 psi (2.9 bar):-
- Handset 2.9 gpm (13 litre/min)
- Body Jets (6) total 3.4 gpm (15.3 litre/min)
- Showerhead 2.9 gpm (13 liter/min)

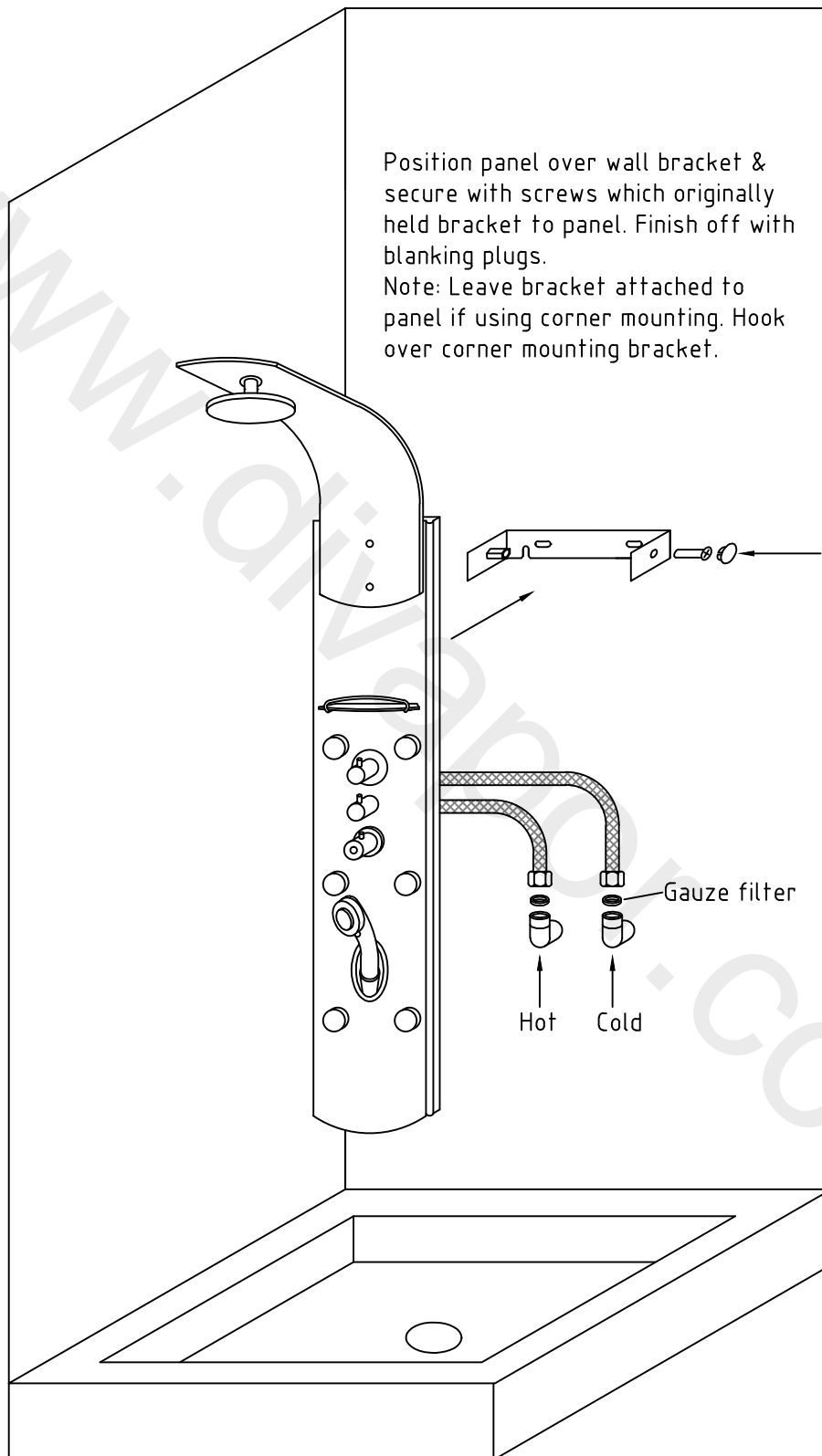
TRUSP301 Type 1 Shower Panel

INSTALLATION (1)



TRUSP301 Type 1 Shower Panel

INSTALLATION (2)



Temperature Setting & Calibration:

Pre-set temperature

- The panel temperature is pre-set at 38°C (100°F), but on certain installations the setting may need to be calibrated.

Calibration

- Fully turn on the panel water flow.

Note: Ensure the hot water is above 60°C (140°F) and you have more than 2 bar (30 psi) pressure.

- Set the temperature control handle at the 38°C position.
- Remove the temperature control handle by loosening the fixing screw.
- Relocate the temperature control handle approximately 3mm back onto the splined shaft.

Hold in position

- If the pre-set temperature is too hot turn the temperature control handle anti-clockwise to obtain the 38°C (100°F). Allow the temperature to stabilise for 10 seconds after each movement.
- If the pre-set temperature is too cold turn the temperature control handle clockwise to obtain the 38°C (100°F). Allow the temperature to stabilise for 10 seconds after each movement.
- When set at 38°C (100°F) carefully remove the temperature control handle on the splined shaft aligning the 38°C (on the handle) with the line located on the panel.
- Secure the temperature control handle with the fixing screw.