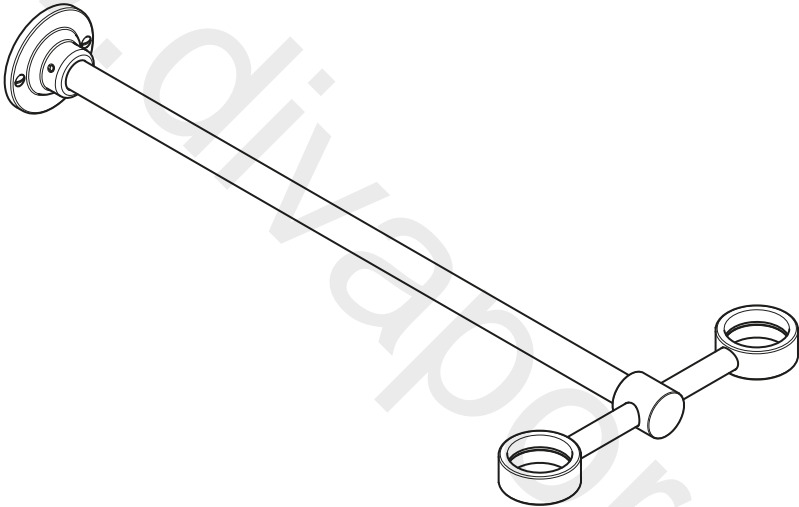


TT 2112
BATH SUPPORT BRACKET
FOR STANDPIPES
INSTALLATION GUIDE



LEFROY BROOKS

IMPORTANT INFORMATION

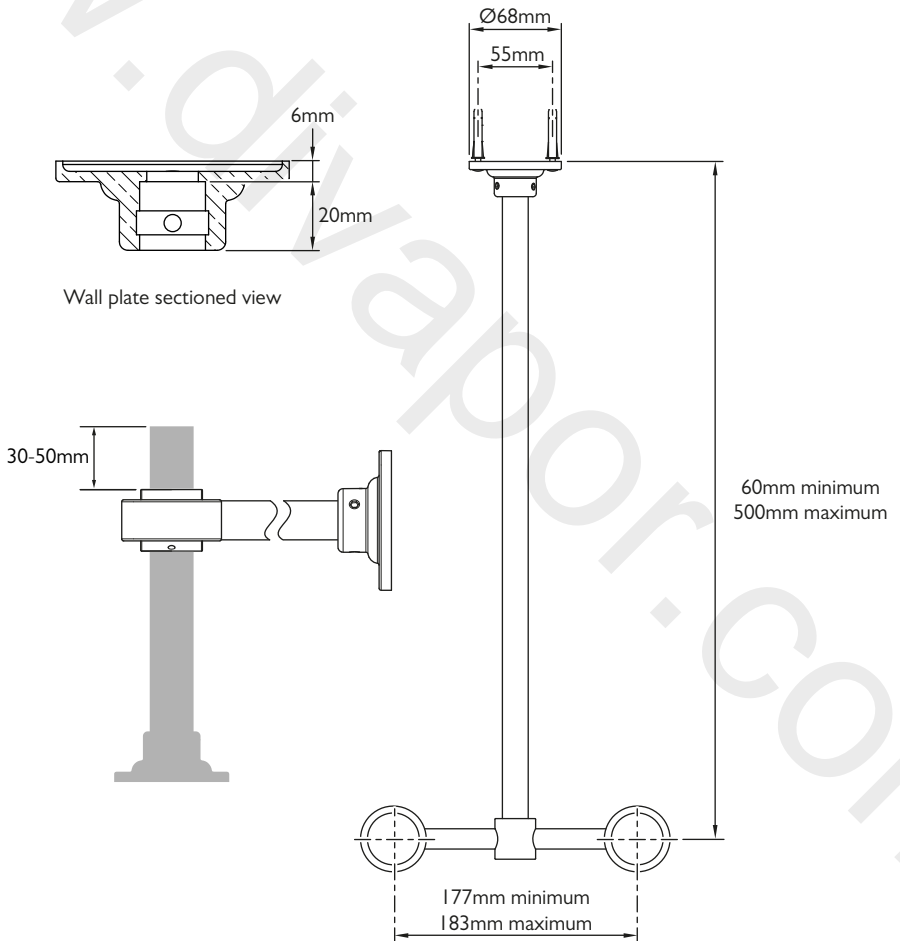
Professional installation

We recommend that our products are fitted by a fully qualified plumber. They should be installed correctly and in accordance with all local water regulations. All products should be accessible for routine servicing.

Important

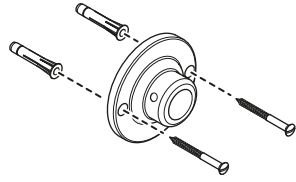
The standpipe support must be fitted at the same time as the standpipes **before** the bath filler or bath shower mixer is fitted.

DIMENSIONS

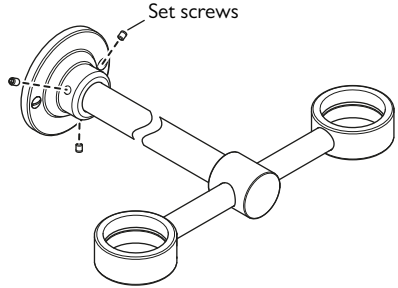


INSTALLING THE SUPPORT

- 1 Place the wall plate against the wall with the screw holes horizontal and level.
- 2 Mark the screw hole locations.
- 3 Drill suitable sized holes in the wall for the wall plugs. Fit the wall plugs.
- 4 Secure the wall plate using the two screws supplied.



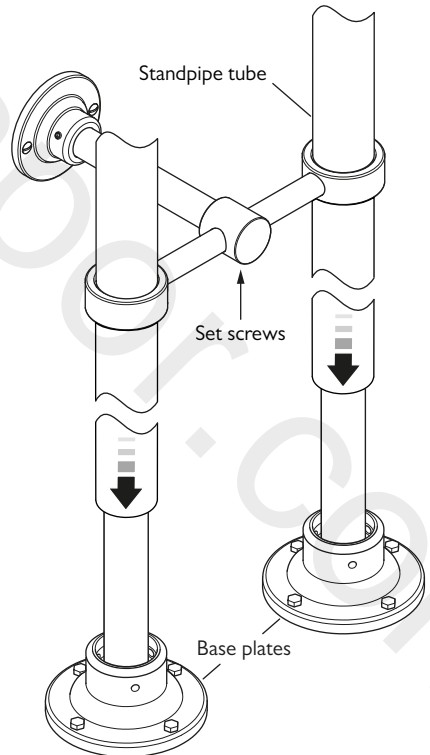
- 5 Cut the tail of the support arm to the required length.
- 6 Locate the support arm into the wall plate and secure using the three set screws and hexagonal key supplied.



- 7 Carefully pass the standpipes through the support arm and locate them into the floor mounted base plates.

IMPORTANT: Do not secure the standpipes at this stage. Continue to install the standpipes as shown in the guide supplied with them.

To adjust the centres, loosen the set screws on the underside of the support, adjust the side arms to required position and then tighten the set screws to secure.





CONTRACT ENQUIRIES

+44 (0)1992 708 316

info@lestroybrooks.co.uk

CUSTOMER SERVICE, SPARES & TECHNICAL ENQUIRIES

+44 (0)1902 390 894

technical@lestroybrooks.co.uk

LEFROYBROOKS.CO.UK

Whilst every effort is made to ensure the accuracy of these, they are subject to change without notice as part of the company's product development process. The use of trademarks, product design and artwork is subject to licence or agreement with LBIP Ltd. The design registrations, trademark registrations and copyrights are protected by law and the use or reproduction outside the terms of an agreement is prohibited. The right to modify designs and dimensions is reserved. LBIP Ltd is a member of ACID (Anti Copying in Design). E&OE