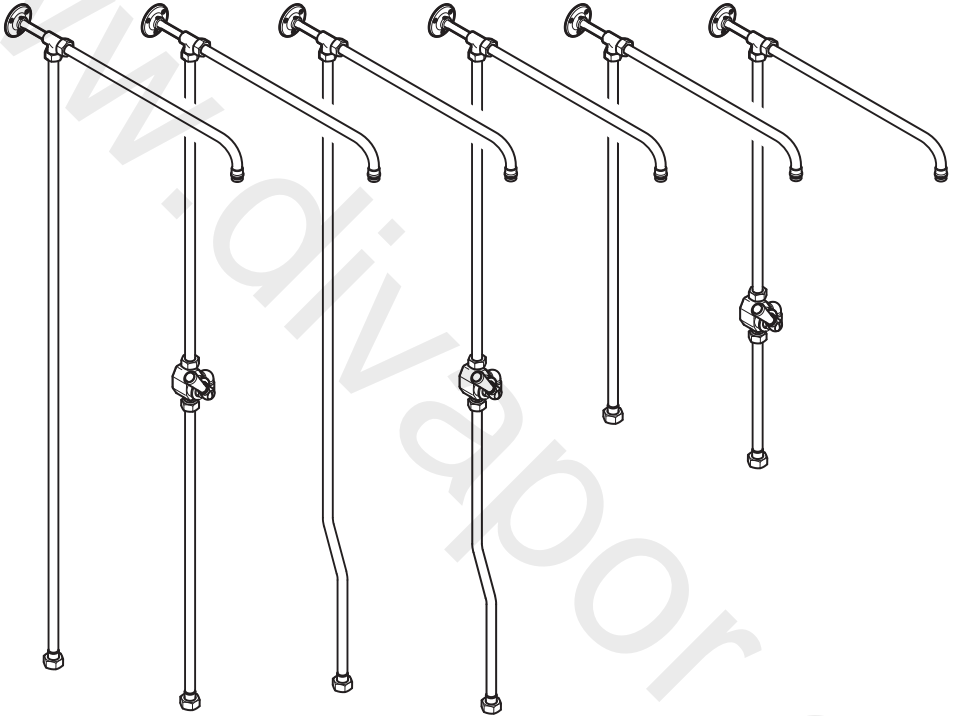


RISER PIPE, SHOWER ARM, ADJUSTABLE BRACKET & 2 WAY RISER DIVERTER ASSEMBLIES

INSTALLATION GUIDE



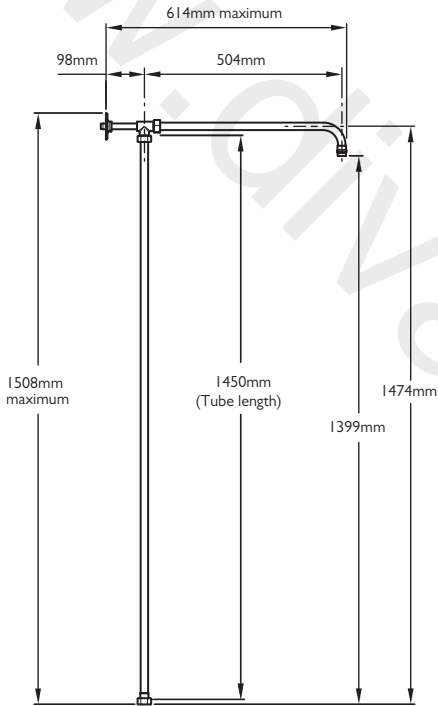
LEFROY BROOKS

DIMENSIONS

Riser pipes for wall mounted bath shower mixers

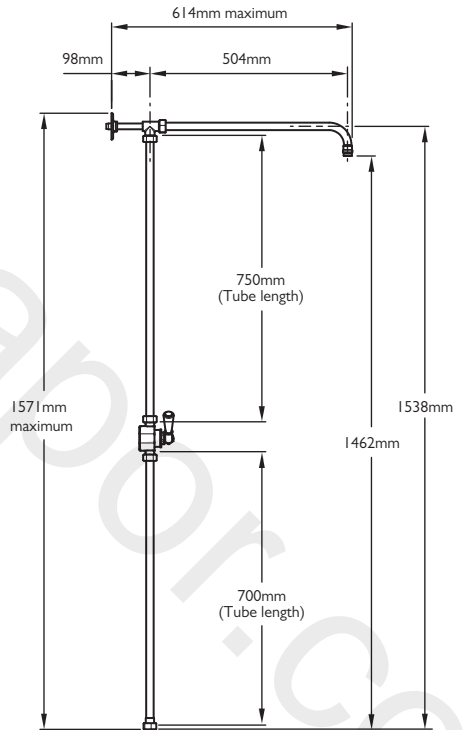
The pipes are $\varnothing 19\text{mm}$ and connections are made with compression nuts and $\varnothing 19\text{mm}$ olives (supplied), except the connection with the mixer which is nut and fibre washer.

PSA001



PSA002 – Classic black lever (BL)
Classic white lever (WL)
Classic metal lever (MTL)

PSA012 – Mackintosh lever (ML)
Mackintosh black lever (MB)
Janey Mac lever (JL)
Crystal lever (CR)



Shown with classic white lever

DIMENSIONS

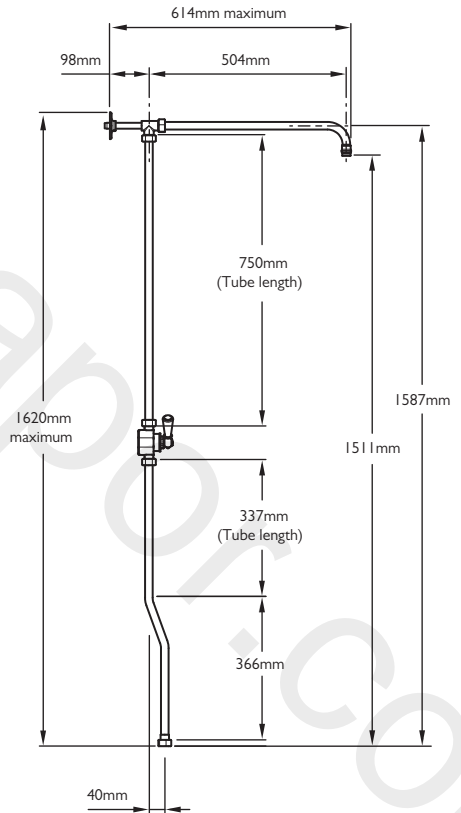
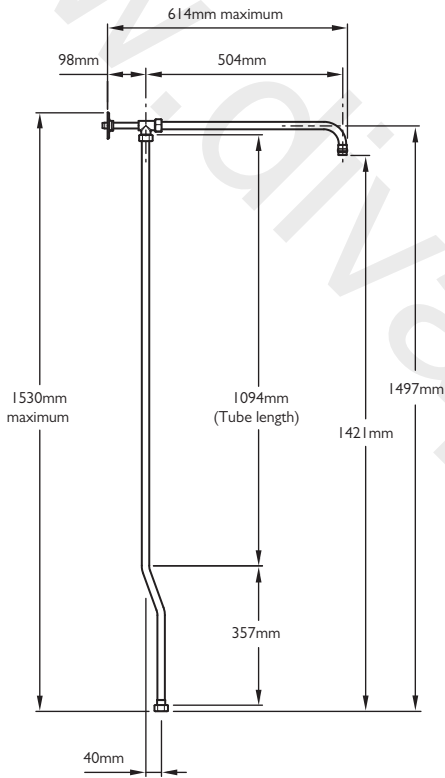
Riser pipes for deck mounted bath shower mixers

The pipes are $\varnothing 19\text{mm}$ and connections are made with compression nuts and $\varnothing 19\text{mm}$ olives (supplied), except the connection with the mixer which is nut and fibre washer.

PSA003

PSA004 – Classic black lever (BL)
 Classic white lever (WL)
 Classic metal lever (MTL)

PSA013 – Mackintosh lever (ML)
 Mackintosh black lever (MB)
 Janey Mac lever (JL)
 Crystal lever (CR)



Shown with classic white lever

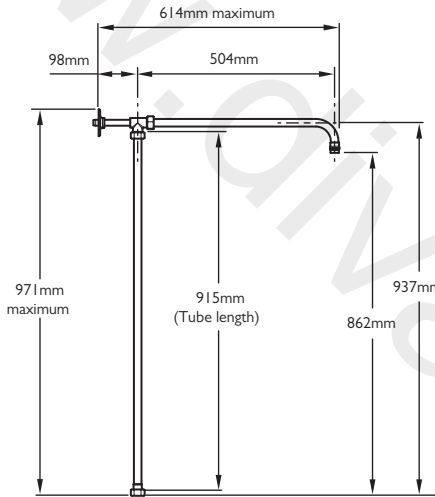
Not to scale

DIMENSIONS

Riser pipes for exposed wall mounted shower mixers

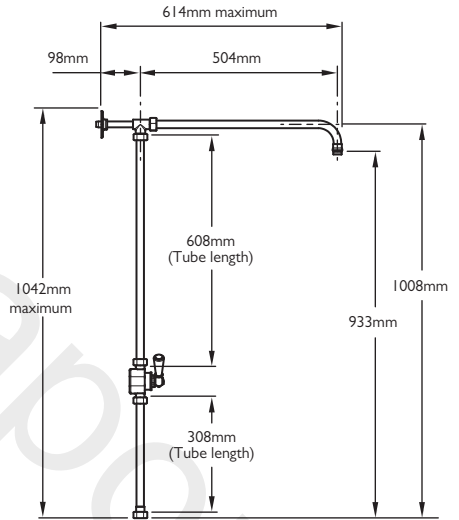
The pipes are $\varnothing 19\text{mm}$ and connections are made with compression nuts and $\varnothing 19\text{mm}$ olives (supplied), except the connection with the mixer which is nut and fibre washer.

PSA005



PSA006 – Classic black lever (BL)
 Classic white lever (WL)
 Classic metal lever (MTL)

PSA007 – Mackintosh lever (ML)
 Mackintosh black lever (MB)
 Janey Mac lever (JL)
 Crystal lever (CR)

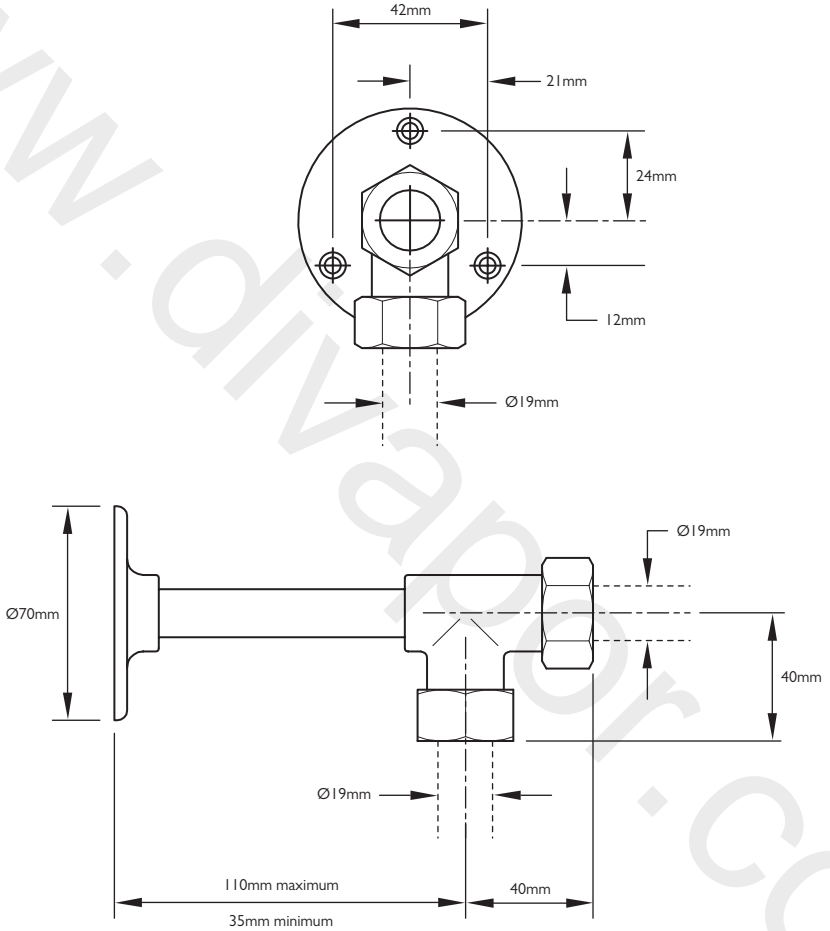


Shown with classic white lever

Not to scale

DIMENSIONS

LBI798



Not to scale

IMPORTANT INFORMATION

Professional installation

We recommend that our products are fitted by a fully qualified professional plumber. They should be installed correctly and in accordance with all local water regulations and the system protected by non-return valves (not supplied). All products should be accessible for routine servicing.

Suits all systems

This Lefroy Brooks product is potentially suitable for every possible application, type of boiler and water supply pressure. However, if your supply pressure is below 1 bar it is advisable to fit a water pump. For systems with combination boilers, it is not advisable to fit pumps (refer to boiler manufacturer).

Riser pipes supplied from manual hot and cold water supplies.

A thermostatic mixing valve (TMV) should be fitted (not supplied) to the hot supply to restrict the temperature to a safe working/maximum temperature to comply with local building regulations, current legislation, relevant standards and codes of practice. Maximum allowed temperatures vary subject to type of installation or specification of building.

Riser pipes supplied from a thermostatic shower control.

There is no need to fit a thermostatic mixing valve (TMV).

Balancing flow

If there is a significant difference in water pressures between hot & cold supplies, we recommend an in-line flow suppressor/regulator (supplied with exposed thermostatic shower valves) be fitted. This should be fitted to whichever has the greater flow rate.

Water quality

In hard water areas, a suitable water treatment system should be provided to prevent limescale deposits (calcium deposits). Exterior surfaces should be gently wiped with a dry soft cloth after use to minimise water stains and limescale deposits.

Flushing system

It is most important to flush out all pipework thoroughly before connecting the product.

Servicing

All serviceable parts are available to maintain your Lefroy Brooks product.

Connections

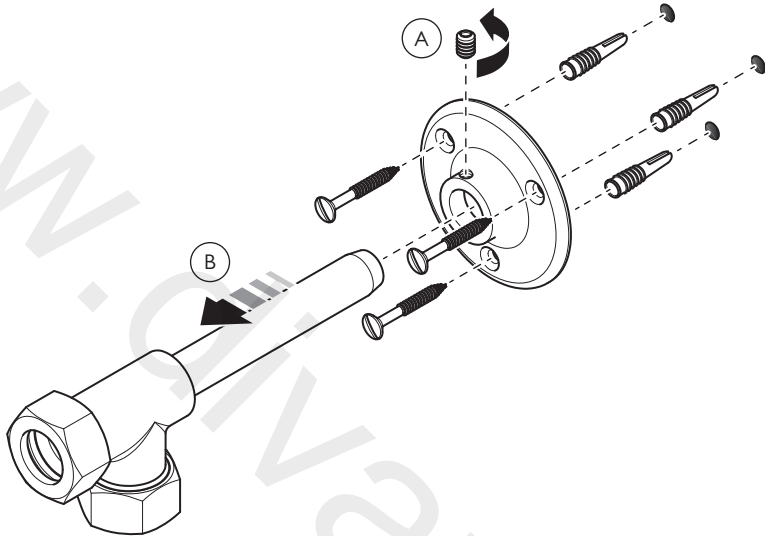
The Ø19mm pipes are to be installed using the compression nuts and Ø19mm olives (supplied).

The connection with the mixer is made using a nut and fibre washer.

The diverter must be installed with the side elbow facing down.

Plated tubes have a smooth surface. For this reason, we recommend that the surface in contact with olives be gently roughened using a suitable abrasive sheet or pad. You are aiming to lightly roughen the plated surface, not remove it. Be careful not to roughen areas that will be visible following assembly.

RISER PIPE BRACKET INSTALLATION

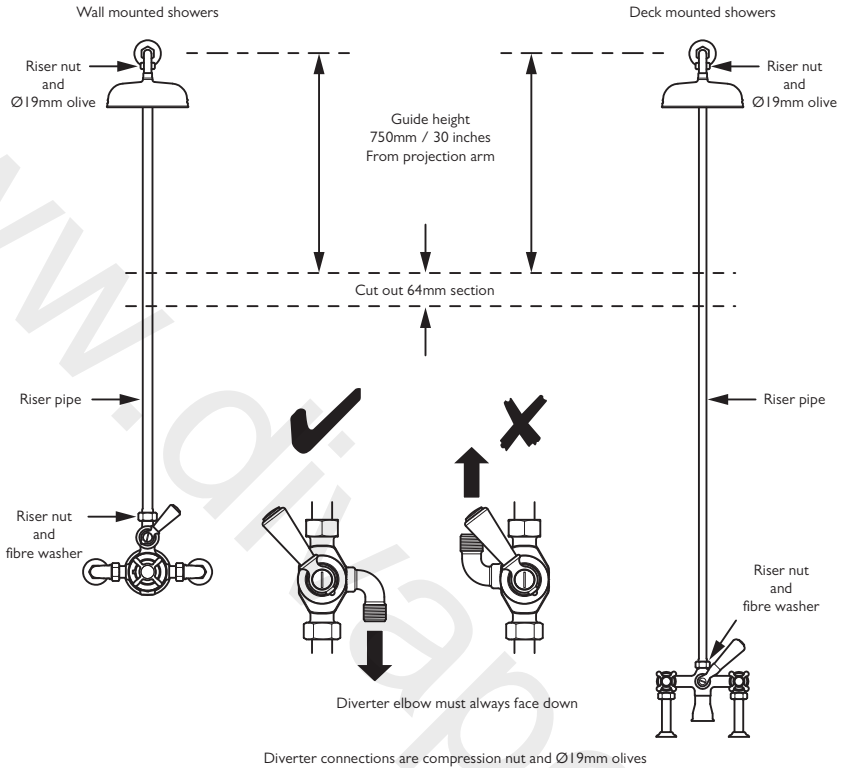


Please note that pipe connections to the riser pipe bracket are made using compression nuts and $\text{\O}19\text{mm}$ olives (supplied). Please refer to 'Connections' in the 'Important Information' section.

- 1 Unscrew the set screw in the top of the wall plate using a 3mm hexagonal key (A). Gently pull the wall plate from the end of the bracket stem (B).
- 2 Where required, the stem of the bracket can be cut to length.

- 3 Mark the hole positions on the mounting surface. Use a spirit level to ensure the upper two holes are level and to check the vertical centre line from the bracket to the outlet of the supply mixer.
- 4 Drill holes using a $\text{\O}6\text{mm}$ drill bit.
- 5 Insert the wall plugs into the holes then secure the wall plate using the screws supplied.
- 6 Insert the bracket into the wall plate and secure with the set screw using a 3mm hexagonal key.

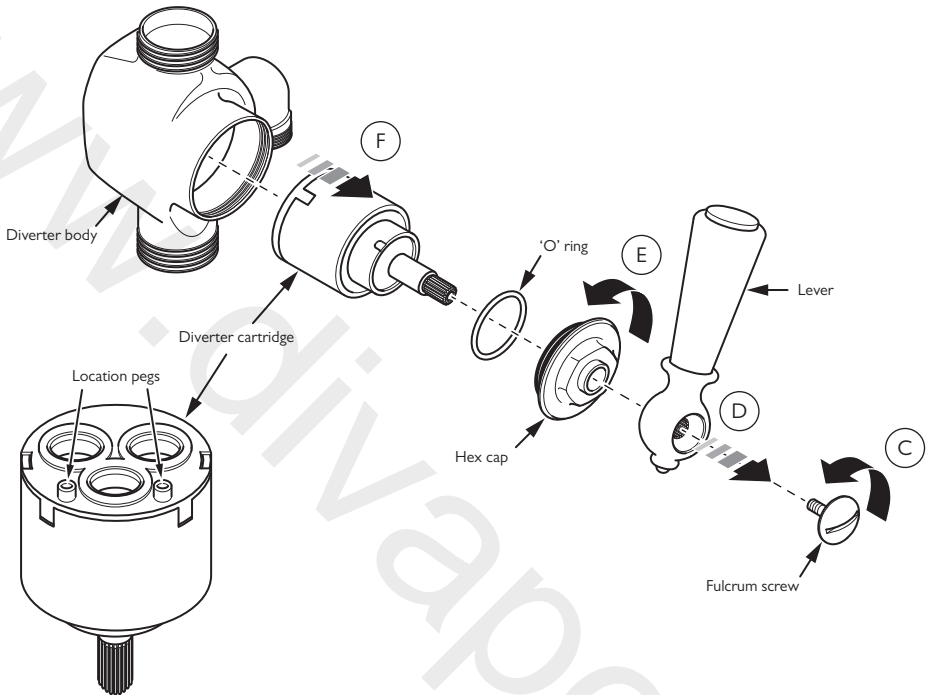
INSTALLATION OF A 2 WAY DIVERTER INTO AN EXISTING RISER PIPE



- 1 Fully unscrew the riser nuts in a counter clockwise direction using a 30mm spanner. This will release the riser pipe. We recommend wrapping the flats of the spanner with suitable tape to prevent marking the decorative finish of the nuts.
- 2 Measure and mark the riser pipe.
- 3 Cut a 64mm section out of riser pipe using a hacksaw or pipe cutter.
- 4 Remove any sharp edges. Please refer to 'Connections' in the 'Important Information' section.
- 5 Slide compression nuts & olives onto the two halves of the riser pipes.
- 6 Loosely assemble two halves of the riser pipe with the riser diverter.
- 7 Locate the riser pipe and diverter assembly between the shower body and projection arm bracket. Remember to fit the fibre washer between the mixer and riser pipe.
- 8 Tighten all joints and water test.

SERVICING – DIVERTER CARTRIDGE REPLACEMENT

Shown with current Classic white lever cartridge. Please see following page for diverter cartridge variations.



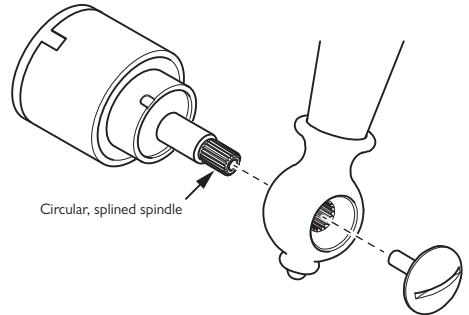
Diverter cartridge replacement is only necessary if water flows from both outlets at the same time or the cartridge is difficult to operate. If either outlet is 'dripping', replace the 'on/off' cartridge(s) or washer(s) in the supply mixer as appropriate.

- 1 Remove the fulcrum screw in a counter clockwise direction using a flat bladed screw driver (C). Mackintosh and Janey Mac models have a 3mm set screw in the underside of the lever. Remove the set screw in a counter clockwise direction using a 1.5mm hexagonal key.
- 2 Pull the lever off the spindle (D).
- 3 Remove the hex cap in a counter clockwise direction using a 28mm spanner (E). We recommend wrapping the flats of the spanner with suitable tape to prevent marking the decorative finish of the nuts.
- 4 Pull the diverter cartridge from the diverter body (F).
- 5 Fit a replacement diverter cartridge. There are two location pegs on the underside of the cartridge, locate these into the two holes in the diverter body.
- 6 Replace the hex cap and lever in the reverse order. The hex cap has an 'o' ring fitted to the slot in its base. Ensure the 'o' ring is in place before fitting the hex cap.

SERVICING – DIVERTER CARTRIDGE VARIATIONS

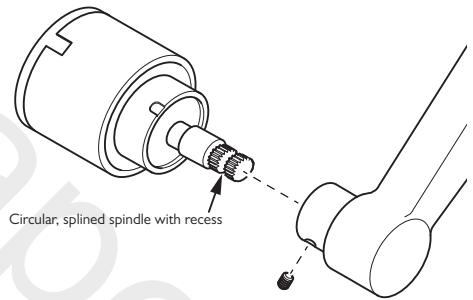
Current cartridge used for Classic range since mid 2007

- PSP011 – Diverter cartridge
- PSP027 – Classic white lever
- PSP028 – Classic black lever
- PSP059 – Classic all metal lever



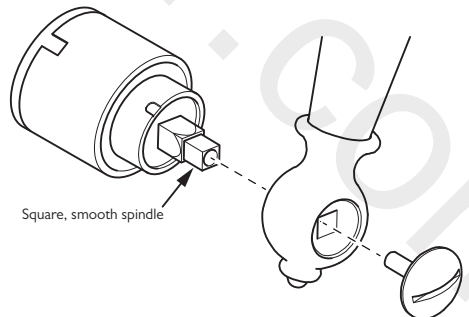
Cartridge used for Mackintosh lever, Mackintosh black lever, Janey Mac and Crystal lever

- PSP038 – Diverter cartridge
- PSP039 – Mackintosh lever
- PSP048 – Mackintosh black lever
- PSP039 – Janey Mac lever
- PSP058 – Crystal lever

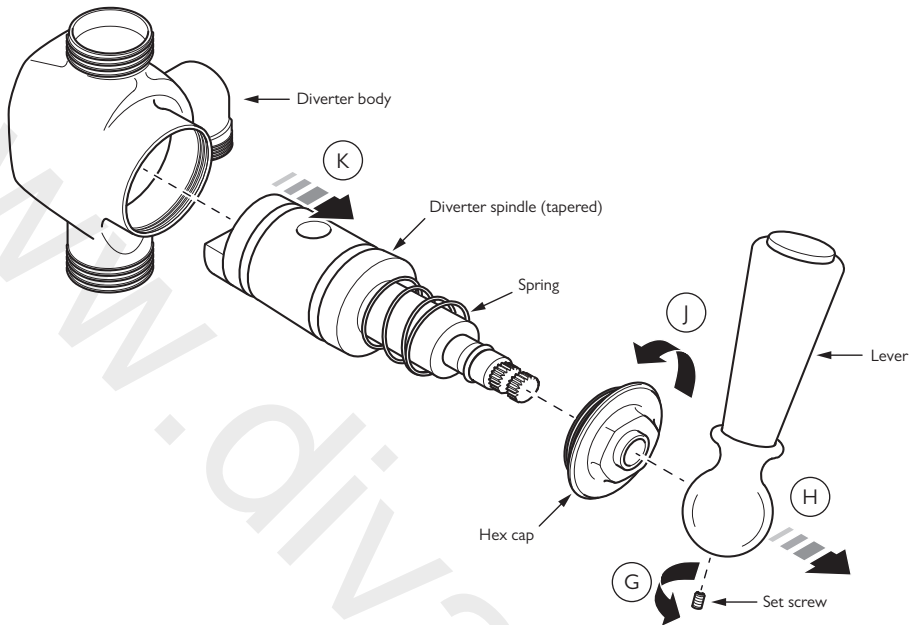


Cartridge used for Classic range from 2004 to mid 2007

- PSP001 – Diverter cartridge
- PSP002 – Classic white lever
- PSP003 – Classic black lever



SERVICING – OLDER MODELS (PRE 2004)



The diverter spindle is tapered (pre 2004). This creates a metal to metal seal against the diverter body. Limescale deposits may form within the seal causing water to pass through both outlets simultaneously or make the lever stiff during operation. The limescale deposits need to be removed as there are no longer replacement parts available for models of this age. To do this please follow the below:

- Unscrew the set screw from the bottom of the lever in an counter clockwise direction.
- Pull the lever from the splined spindle of the diverter.
- Unscrew and remove the hex cap from the diverter body.
- Pull the diverter spindle from the diverter body. If this is not possible then see *.

- Use a 'green scouring' pad or a fine 'wet and dry' abrasive to clean limescale from the diverter spindle and inside the diverter body.
- Once clean, smear the tapered sealing surfaces with silicon grease and assemble in reverse order.

*

- Remove the spring from the diverter spindle.
- Gently tap the spindle with a mallet to release – do not hit too hard as you may bend the end of the spindle.

If this does not release the diverter spindle it may be advisable to remove the diverter from the riser pipes and fill its bores with a de-scaling solution, taking care not to damage electroplated surface finish, before trying again.

FAULT FINDING

Leaks from joints.

- Connections not tight.
- Washers not fitted or damaged.

Water flows from both outlets simultaneously.

- Replace diverter cartridge (see 'servicing – diverter cartridge replacement' section).

Water drips from either outlet.

- This is not a fault with the diverter. Replace the 'on/off' flow cartridge(s) or washer(s) in the mixer as appropriate.
-

REPLACEMENT PARTS

Diverter cartridges (see servicing – diverter cartridge variations).

Current diverter cartridge used for Classic range since mid 2007 (Circular splined spindle).

- PSP011 – Diverter cartridge
- PSP027 – Classic white lever
- PSP028 – Classic black lever
- PSP059 – Classic all metal lever

Diverter cartridge for Mackintosh lever, Mackintosh black lever, Janey Mac and Crystal lever (Circular splined spindle with recess).

- PSP038 – Diverter cartridge
- PSP039 – Mackintosh lever
- PSP048 – Mackintosh black lever
- PSP039 – Janey Mac lever
- PSP058 – Crystal lever

Diverter cartridge used from 2004 to mid 2007 (Smooth square spindle).

- PSP001 – Diverter cartridge
- PSP002 – Classic white lever
- PSP003 – Classic black lever



CONTRACT ENQUIRIES

+44 (0)1992 708 316

info@lefroybrooks.co.uk

CUSTOMER SERVICE, SPARES & TECHNICAL ENQUIRIES

+44 (0)1902 390 894

technical@lefroybrooks.co.uk

LEFROYBROOKS.CO.UK

Whilst every effort is made to ensure the accuracy of these, they are subject to change without notice as part of the company's product development process. The use of trademarks, product design and artwork is subject to licence or agreement with LBIP Ltd. The design registrations, trademark registrations and copyrights are protected by law and the use or reproduction outside the terms of an agreement is prohibited. The right to modify designs and dimensions is reserved. LBIP Ltd is a member of ACID (Anti Copying in Design). E&OE