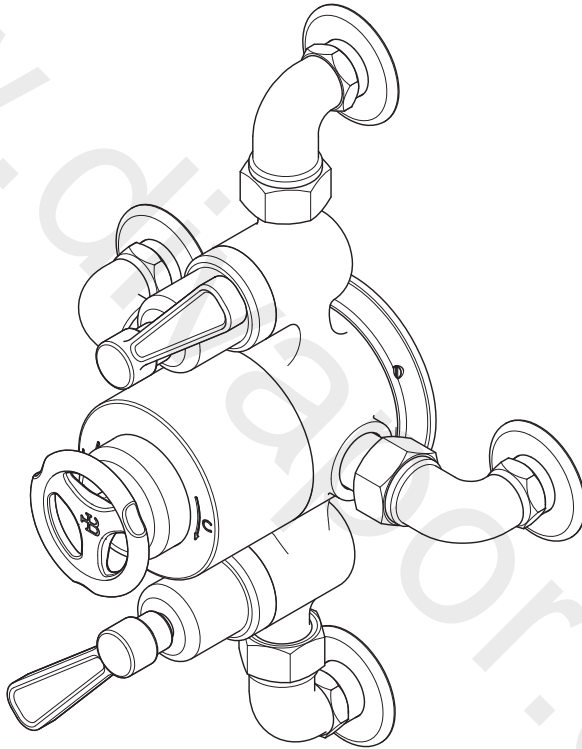
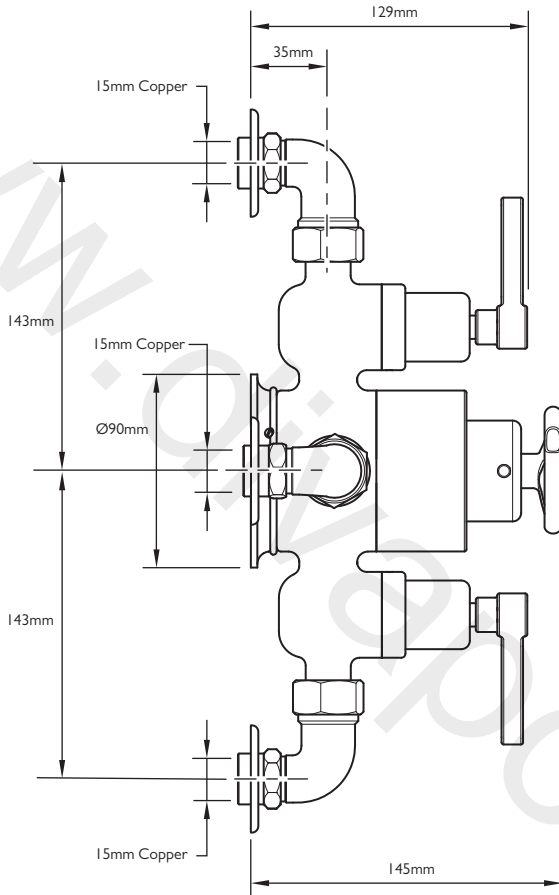


TT 8746
TEN TEN EXPOSED DUAL CONTROL
THERMOSTATIC SHOWER VALVE
INSTALLATION GUIDE



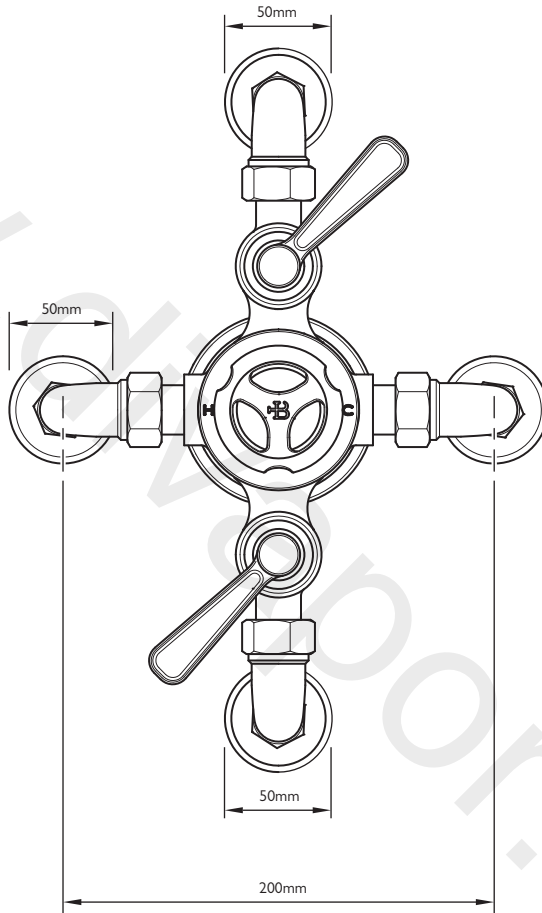
LEFROY BROOKS

DIMENSIONS



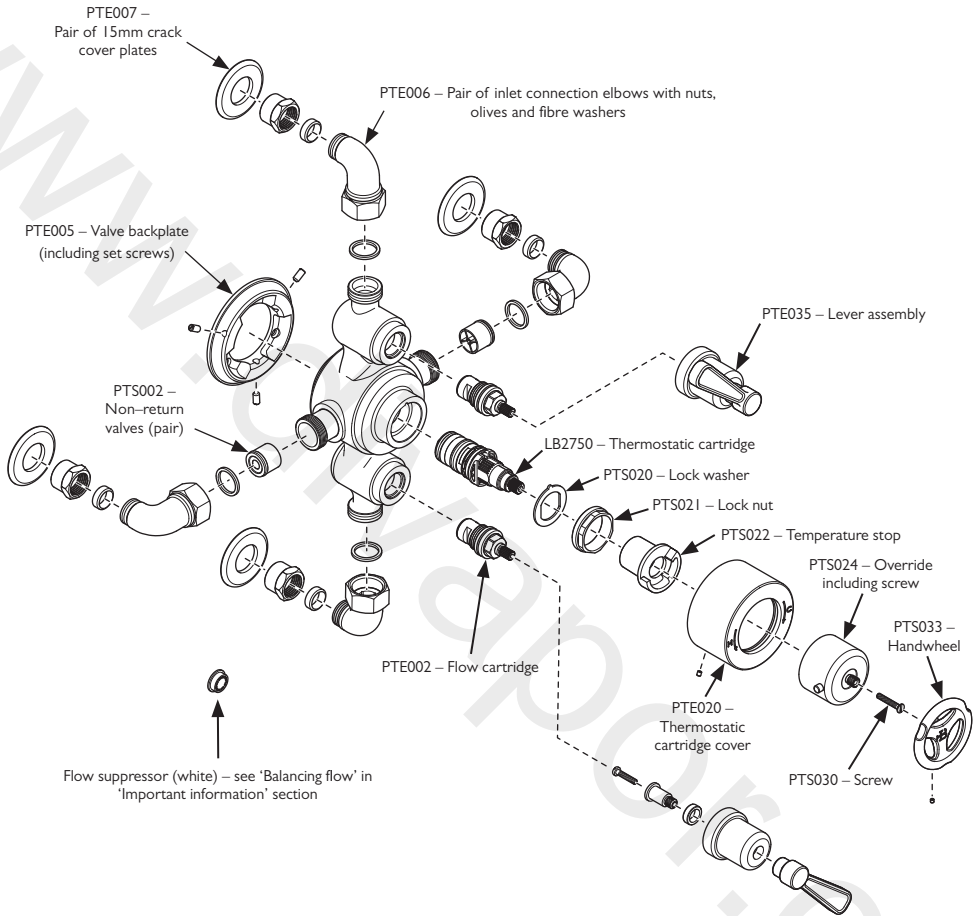
Not to scale

DIMENSIONS



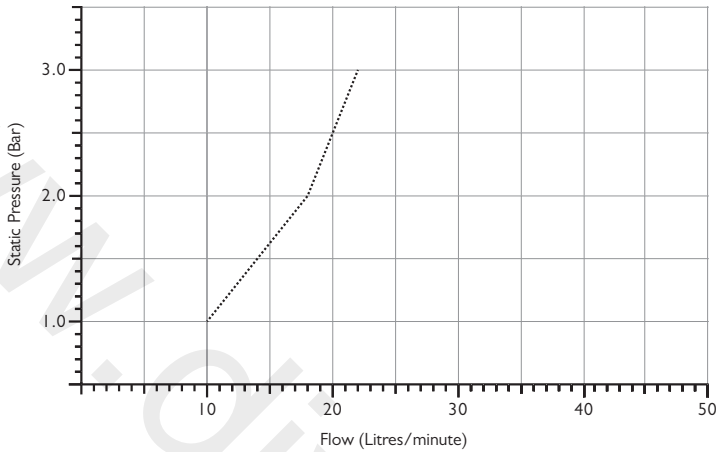
Not to scale

EXPLODED VIEW



TYPICAL FLOW RATES

The flow rate indicated is for one outlet only.



Note: Balance pressures shown are applied directly to the hot and cold inlets; flow rates indicated are free flowing and may vary subject to restrictions created by installation, pipework, layout or application. The outlet temperature during testing was 38°C.

IMPORTANT INFORMATION

Professional installation

We recommend that our products are fitted by a fully qualified professional plumber. They should be installed correctly and in accordance with all local water regulations. All products and connections should be accessible for routine servicing.

Suits all systems

This Lefroy Brooks product is potentially suitable for every possible application, type of boiler and water supply pressure. However, for full 'power' shower performance it is advisable to fit a water pump if the supply pressure is below 1 bar. For systems with combination boilers, it is not advisable to fit pumps (refer to boiler manufacturer).

Recommended supply temperatures

HOT = 60/65°C

COLD = 10/15°C

Water quality

In hard water areas, a suitable water treatment system should be provided to prevent limescale deposits (calcium deposits) which may effect the long term performance of the thermostatic cartridge and ceramic cartridge. Exterior surfaces should be gently wiped with a dry soft cloth after use to minimise water stains and limescale deposits.

Servicing

All serviceable parts are available to maintain your Lefroy Brooks product. We recommend periodic servicing to help maintain the best performance from your shower ('servicing the thermostatic cartridge', 'replacing the flow cartridge' & 'replacing the non-return valve' sections). Time between servicing can vary as it is subject to usage and water quality. Servicing kits are available (reference code PTE024) or refer to exploded view for individual items.

Flushing system

It is most important to flush out all pipework thoroughly before connecting the product. This is the single most common cause of ceramic cartridge and thermostatic cartridge failure.

Supply connections

The hot water supply must be connected to the left inlet elbow and cold water supply to the right inlet elbow, as viewed from the front.

Balancing flow

If there is a significant difference in water pressures between hot & cold supplies, we recommend an in-line flow suppressor/regulator (supplied) be fitted.

Safety/Anti-scald

This thermostatic valve not only maintains a constant temperature to approximately plus or minus 1°C, but will automatically shut down completely on failure of hot or cold supplies.

Temperature setting

Once the installation has been completed the 'safe temperature' must be checked and set in accordance with the setting instructions (see following 'setting safe temperature' & 'fitting the temperature override' sections). The valve is factory set but the working temperature may differ subject to the hot & cold water temperatures being supplied to the valve.

Fixing the valve backplate to a wall

When locating and securing the valve backplate (see exploded view) to a wall, it is important to use No. 8 screws. Before marking mounting hole locations, ensure that one of the set screws mounted in the valve backplate is at the bottom.

Non–return valves

To protect your water system, non–return valves are fitted inside the inlet elbows to the sides of the valve body. These can be removed and cleaned if required.

Testing

It is important to pressure check all connections. During manufacture the internal components and external joints of the valve are pressure tested to 5 bar. However, installation can affect the external joints. For this reason we recommend that all connections to and from the valve are pressure tested.

Access

It is important to leave suitable clearance and access to the valve and connections for future servicing.

Setting the 'safe temperature'

To avoid damage, when setting the 'safe temperature' the thermostatic cartridge spindle must be turned by hand only. The spindle will require only minor adjustment. Turning the spindle to the end of its travel and forcing it beyond this point will cause internal damage to the thermostatic cartridge.

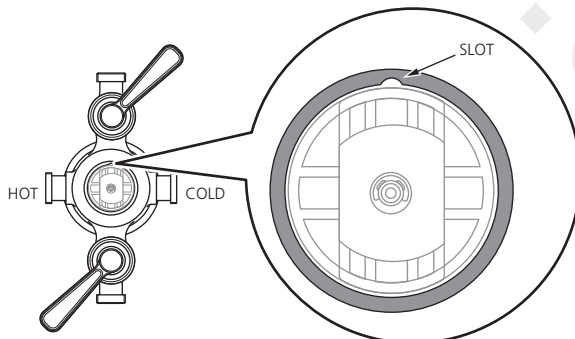
Always fit the black plastic 'temperature stop' before fitting the 'override'. One of the functions of the temperature stop is to prevent the thermostatic cartridge spindle being turned beyond the end of its travel. **Not fitting the temperature stop will result in damage to the thermostatic cartridge.**

WATER SUPPLY CONNECTIONS

Important note:

To ensure correct operation the hot and cold water supplies must be connected to the correct sides of the thermostatic valve. The rear of the valve is fitted with a label indicating the hot and cold inlets.

If the orientation of the valve is unclear, the locking washer slot in the valve body located above the thermostatic cartridge can be used to identify the top of the valve. With the slot located above the thermostatic cartridge the hot will be on the left and the cold on the right side of the valve. The hand–wheel, override, thermostatic cartridge cover and locking nut will require removal to view the slot.



SETTING 'SAFE TEMPERATURE'

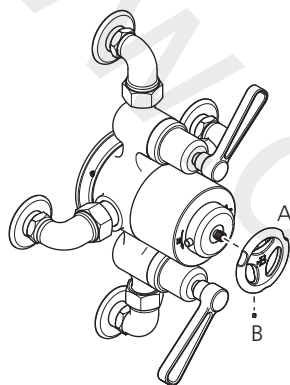
Recommended safe temperature settings:

General domestic: 38 °C

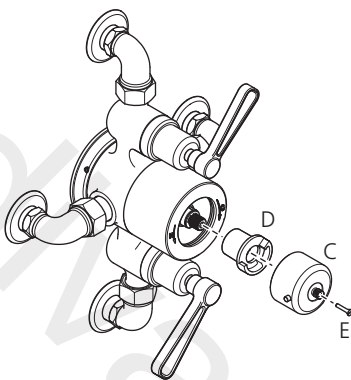
Young children or elderly: 37 °C

For specific details please refer to local building regulations, current legislation, relevant standards and codes of practice.

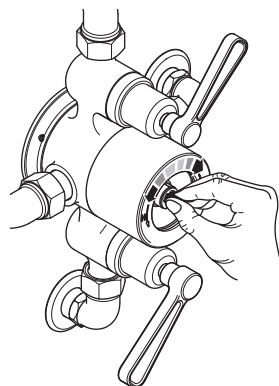
This valve is designed to be set at the required safe operating temperature, but is fitted with an override button which allows the user to select higher temperatures if required. The override control is to be returned to the 'safe temperature' setting after use.



Remove the thermostatic control handwheel (A) by unscrewing set screw (B) using a 2mm hexagonal key.



Remove the override (C) and temperature stop (D) by unscrewing and removing screw (E). Fitting handwheel (A) and set screw (B) will aid with removal of override (C).



Adjust the cartridge spline whilst measuring the temperature of the water. Ideally the temperature measurement should be taken using a digital thermometer.

Duty of care

Legislation dictates recommendations and guidelines on health and safety, including safe hot water temperatures. The emphasis is on regulatory and design criteria, with responsibility for meeting such guidelines being that of a suitably appointed responsible person.

How hot water temperatures affect the skin

65°C A partial thickness burn in about 2 seconds

60°C A partial thickness burn in about 5 seconds

55°C A partial thickness burn in about 15 seconds

50°C A partial thickness burn in about 90 seconds

Safe temperature

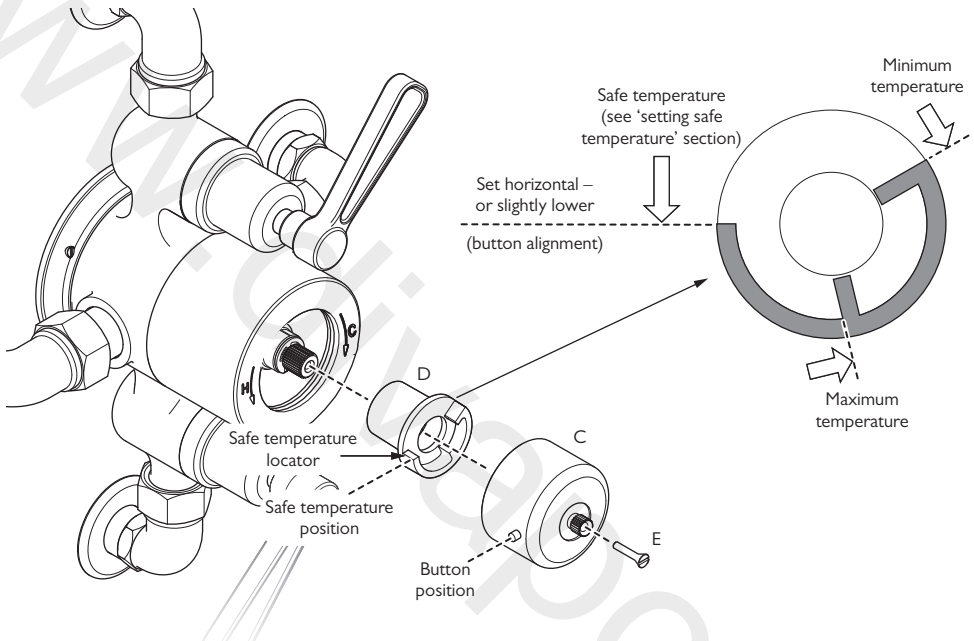
The age, mental and physical capabilities of persons occupying the property will effect the 'safe temperature' setting of the thermostatic valve. For specific details please refer to local building regulations, current legislation, relevant standards and codes of practice.

FITTING THE 'TEMPERATURE OVERRIDE'

Once the safe operating temperature has been set, the next stage is to correctly assemble the temperature stop (D) & override (C). The temperature stop and 'safe temperature' button can be positioned to customer requirements. The below setting is suitable for right handed operation.

Three typical settings are shown on the next page.

Temperature stop (D) orientation



- 1 Locate the temperature stop (D) onto the cartridge spline with the 'safe temperature' locator in a horizontal or slightly lower position. This is dependent on the orientation of the splines (as shown above). Do not set higher as this will effect the position of the button on the override (C). Once located in a suitable position push the temperature stop in fully.
- 2 Locate the override (C) with the button positioned horizontally and to the left. Slide the override carefully onto the smaller cartridge spline. There may be a small amount of rotation required to align the override mechanism with the safe temperature position.
Note: The button may not be perfectly horizontal depending on the orientation of the cartridge splines.
- 3 Secure with screw (E). It is important to check the water temperature.
- 4 Fit the temperature control handwheel (A) then tighten set screw (B) using a 2mm hexagonal key to secure.

The temperature stop and safe temperature button can be positioned to customer requirements as below:

Button position



Safe temperature button set to left
(suitable for right handed operation)

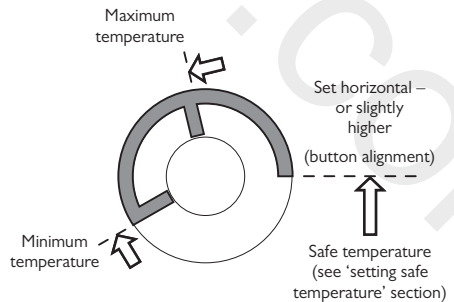
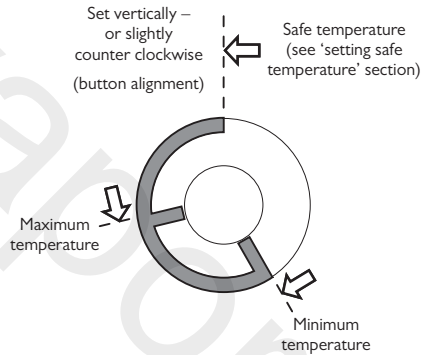
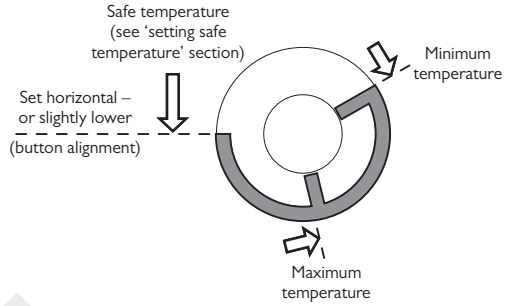


Safe temperature button set to top
(suitable for right and left handed operation)



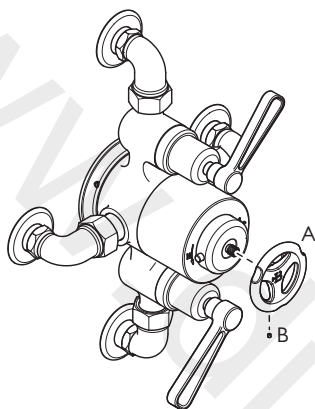
Safe temperature button set to right
(suitable for left handed operation)

Temperature stop position

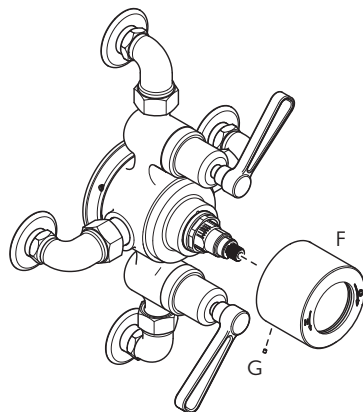


SERVICING THE THERMOSTATIC CARTRIDGE

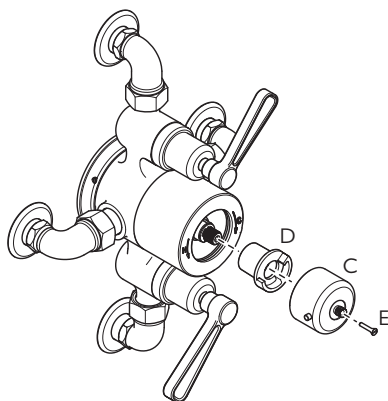
If after a period of time you experience temperature problems with your shower valve, particularly if you are in a hard water area, it is quite common for limescale deposits to have formed in the thermostatic cartridge. We recommend you remove the cartridge and soak it in a descaling fluid which normally resolves the problem. It is difficult to set a regular servicing time scale as it is subject to water conditions and usage.



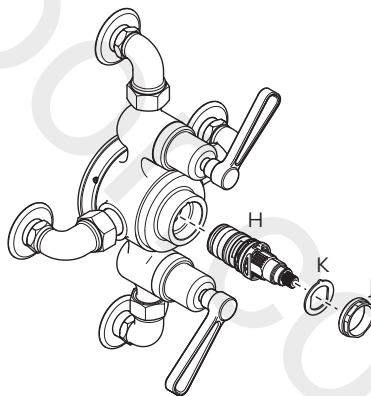
- 1 Isolate the hot and cold water supplies before the shower valve. Remove the thermostatic control handwheel (A) by unscrewing set screw (B) using a 2mm hexagonal key.



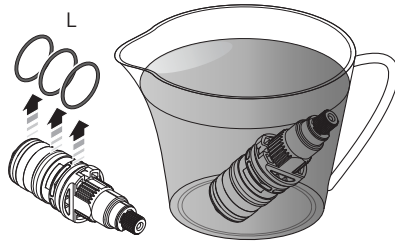
- 2 To remove the thermostatic cartridge cover (F) unscrew the set screw (G) using a 1.5mm hexagonal key and pull the thermostatic cartridge cover away from the valve body.



- 3 Remove the override (C) and temperature stop (D) by unscrewing and removing screw (E). Fitting handwheel (A) and set screw (B) will aid with removal of override (C).

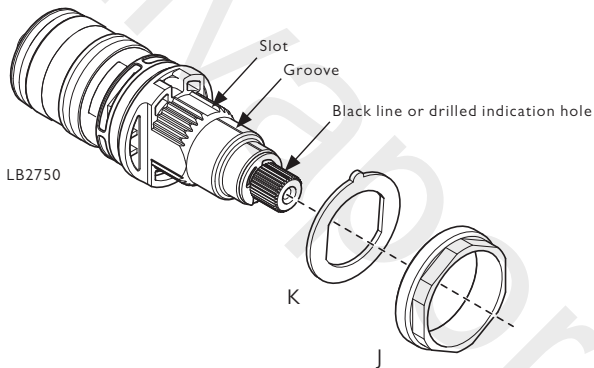


- 4 To remove the thermostatic cartridge (H), unscrew and remove locking nut (J). Remove anti-rotation washer (K) and pull out cartridge. To help with cartridge removal, it is recommended you fit override (C) with screw (E) to make pulling the cartridge out easier.



- 5 Check the 'o' rings (L) for damage (ie. cuts or tears). Remove the 'o' rings before soaking the cartridge in descaling fluid. Soak the cartridge according to the instructions on the descaling fluid packaging. Rinse under cold water before fitting (refer to the 'installing the thermostatic cartridge' section to install).

INSTALLING THERMOSTATIC CARTRIDGE



Important note:

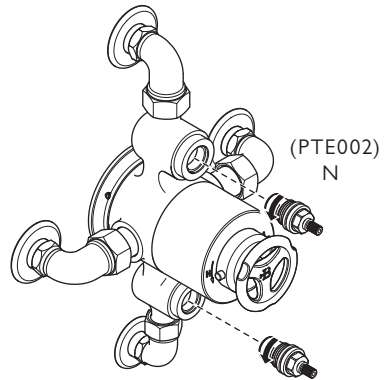
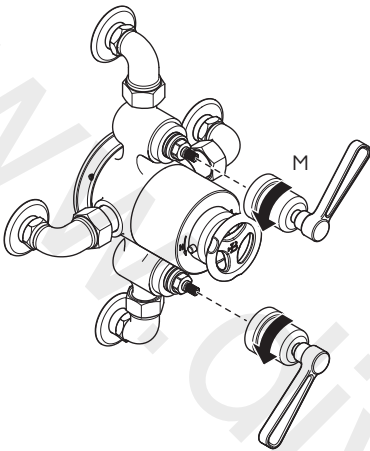
For an approximately 38°C setting, align the 'key setting points' shown. Once assembled, reset the safe temperature by following the setting instruction in the 'setting safe temperature' section. Check the water temperature with a thermometer.

- I Once the 'key setting points' have been aligned and 'o' rings (L) fitted, apply a smear of silicon grease to the 'o' rings and firmly push the thermostatic cartridge (LB2750) into the valve body with the groove pointing upwards.

- 2 Insert the anti-rotation washer (K) so it locates to the 'flats' on the cartridge and fits into the 'notch' cut into the valve body.
- 3 Screw in locking nut (J) and fully tighten using a 32mm a/f spanner to secure the thermostatic cartridge in place.

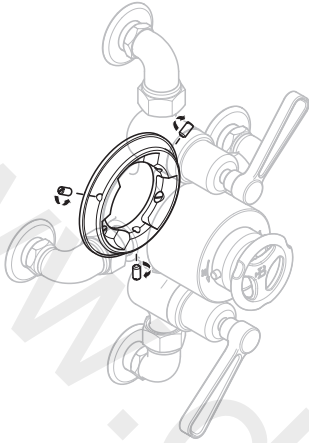
REPLACING FLOW CARTRIDGE(S)

If after a period of time you experience problems with your shower or hand shower developing a regular drip after use, it is normally an indication that a flow cartridge requires replacement.

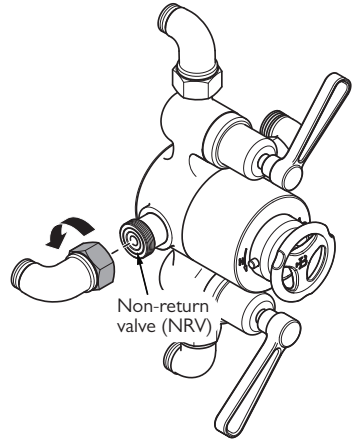


- 1 Remove the lever assembly/assemblies (M) by fully unscrewing in a counter clockwise direction. We recommend wearing a rubber glove such as those used for washing up to improve grip.
- 2 Using a 17mm spanner or socket, unscrew the flow cartridge(s) (N) (counter clockwise) and remove. The replacement cartridge code is PTE002.
- 3 After installing the replacement flow cartridge(s), fit the lever assembly/assemblies.

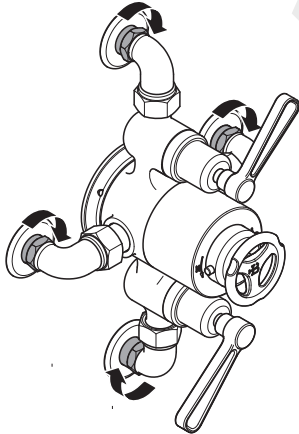
REPLACING THE NON-RETURN VALVES



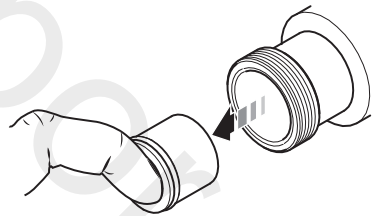
- 1 Isolate the hot and cold water supplies before the shower valve. Unscrew the three set screws from the valve backplate.



- 3 Unscrew the elbow assemblies from the sides of the thermostatic valve body.



- 2 Support the thermostatic valve. Unscrew the four collar nuts in a counter clockwise direction. This will release the thermostatic valve from the mounting surface.



- 4 Place a finger into the end of the non-return valve and pull the non-return valve out of the valve body.
- 5 Assemble in reverse order using replacement non-return valve(s).

DOs

- Check all joints and connections.
- Ensure that the 'safe temperature' has been set.
- Ensure the black plastic 'temperature stop' has been fitted to avoid damage to the thermostatic cartridge and enable the 'safe temperature' to be operational.
- Ensure that the thermostatic valve, connected controls and outlets work satisfactory.
- Instruct the customer how to override the 'safe temperature' setting. Also ensure the customer knows the dangers of overriding the setting and understands that the override control is to be returned to the 'safe temperature' setting after use.
- Hand these instructions along with the cleaning leaflet to the customer.
- Ensure that the valve is suitably protected from damage and decorating materials during installation.

DON'Ts

- Do not use excessive force when turning the thermostatic cartridge spindle. This will damage the cartridge. To avoid damage, when setting the 'safe temperature' the thermostatic cartridge spindle must be turned by hand only. The spindle will require only minor adjustment. Turning the spindle to the end of its travel and forcing it beyond this point will cause internal damage to the thermostatic cartridge.



CUSTOMER SUPPORT

+44 (0)1992 708 316

LEFROYBROOKS.CO.UK

Whilst every effort is made to ensure the accuracy of these, they are subject to change without notice as part of the company's product development process. The use of trademarks, product design and artwork is subject to licence or agreement with LBIP Ltd. The design registrations, trademark registrations and copyrights are protected by law and the use or reproduction outside the terms of an agreement is prohibited. The right to modify designs and dimensions is reserved. LBIP Ltd is a member of ACID (Anti Copying in Design).