

AQUALISA

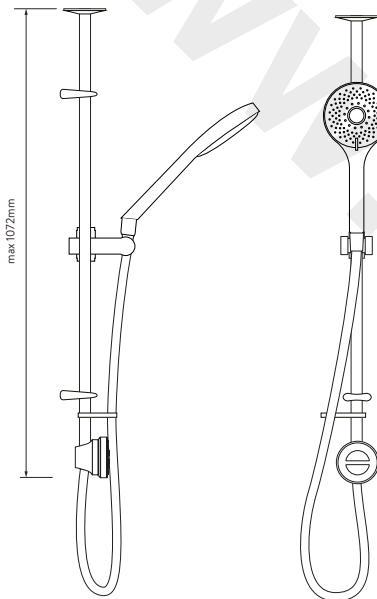
UNITY Q™

UTQ.A1.EV.20

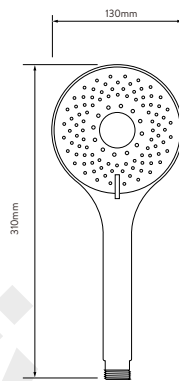
EXPOSED WITH ADJUSTABLE HEAD - HP/COMBI

DIMENSIONAL DRAWINGS

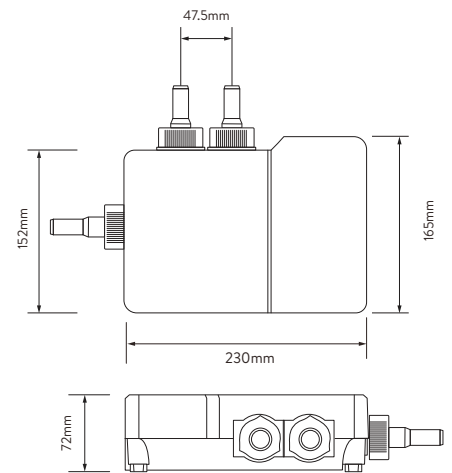
EXPOSED SHOWER RAIL KIT



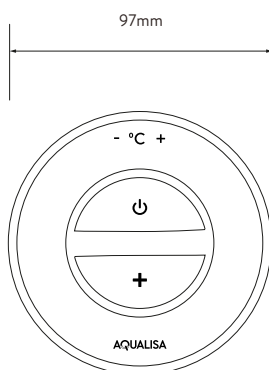
SHOWER HEAD



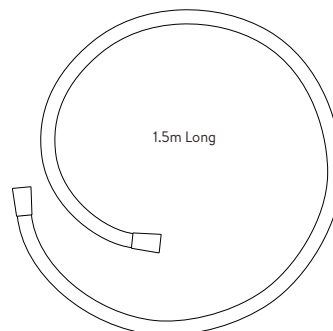
AQUALISA SMARTVALVE™



CONTROLLER



SHOWER HOSE



AQUALISA

UNITY Q™

UTQ.A1.EV.20

EXPOSED WITH ADJUSTABLE HEAD - HP/COMBI

TECHNICAL SPECIFICATIONS

| | |
|---|---|
| Minimum pressure requirements | 1 bar |
| Maximum pressure requirements | 7 bar |
| Aqualisa SmartValve™ inlet fitting connections | 15mm push fit fittings, valve inlet centres 48mm, inlet supply positions – hot right, cold left |
| Aqualisa SmartValve™ outlet fitting connection | 15mm push fit |
| Permissible Aqualisa SmartValve™ siting locations | Loft, airing cupboard, under bath |
| Supply temperature | Cold inlet temperature 1°C (minimum) Cold inlet temperature 15°C (maximum) Hot inlet temperature 65°C (maximum) |
| Water system | HP / Combi / Boosted gravity |
| Features | One touch start/stop control |
| | LED display indicates when pre-selected temperature has been reached |
| | Boost button for enhanced flow |
| | Wi-Fi & App compatible – control your product with your smart phone and smart home device e.g. Alexa |
| | App functions include start/stop, shower timer, user dashboard, usage tracker and help & support |
| | Aqualisa SmartValve™ |
| | 130mm Vita™ shower head with 3 spray patterns |
| Guarantee period | 5-year guarantee - shower unit |
| | 2-year guarantee - shower head and kit |
| Approvals | CE Marking |
| | BEAB |