

SAMUEL HEATH

Product Data Sheet

V709 / V709-A / V710 / V710-A / V719 / V719-A
Single Lever Mixer



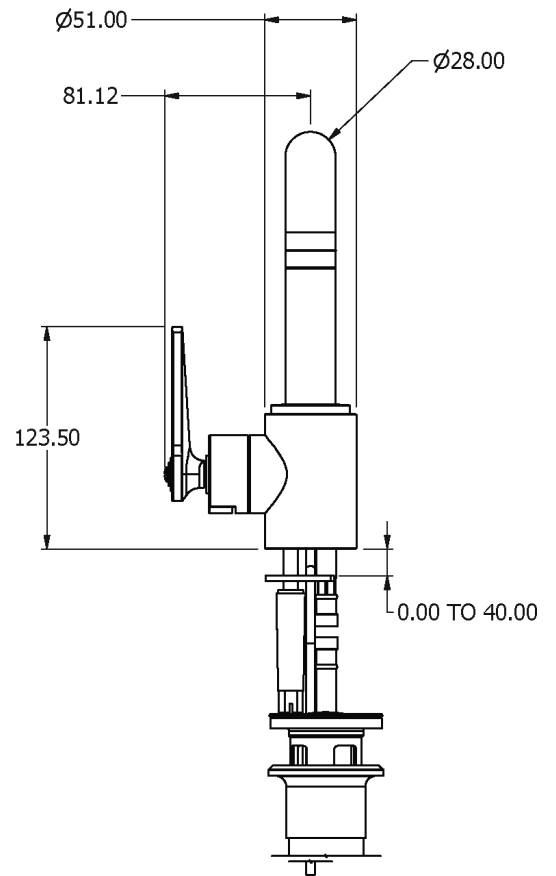
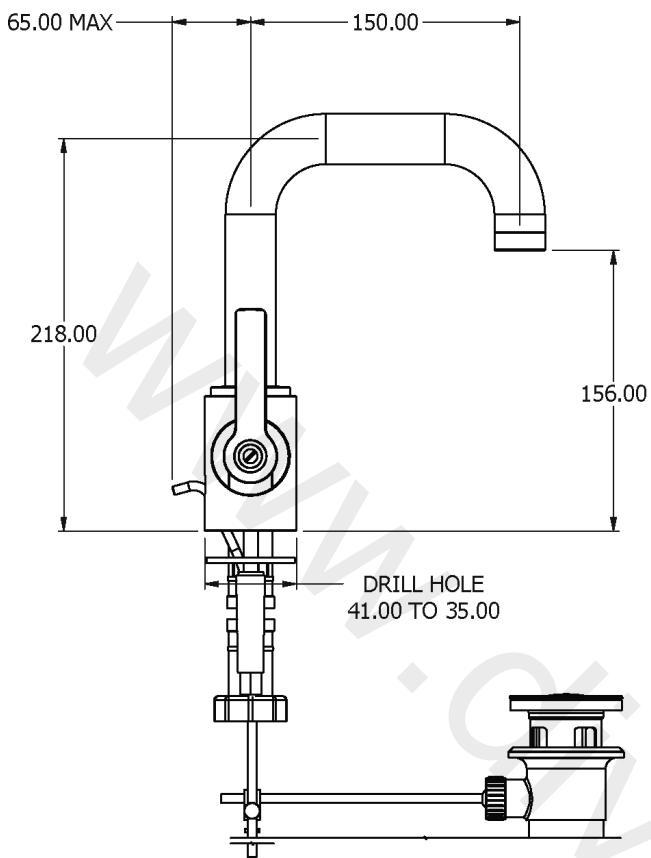
PLEASE NOTE: It is essential to install none return valves as part of the bidet system.

- Available Control Options -

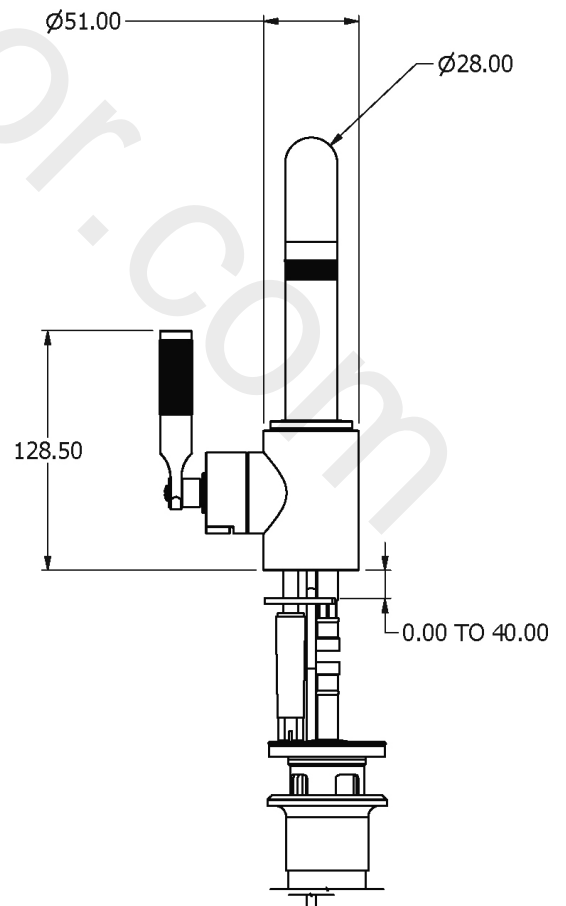
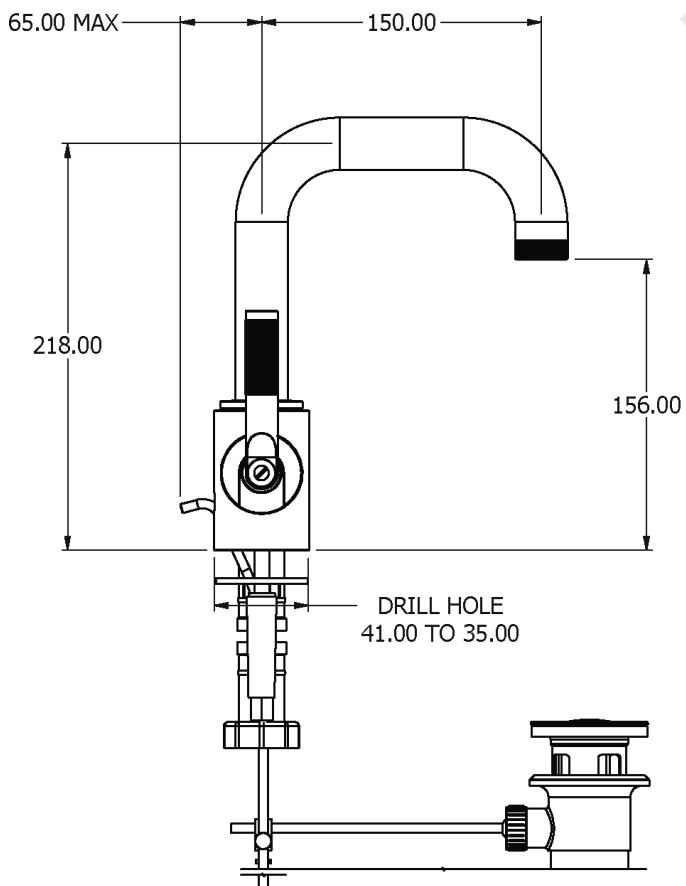
 V7K09LF	 V7K10LF	 V7K19LF
 V7K09LK	 V7K10LK	 V7K19LK

Dimension Key

V7K09LF

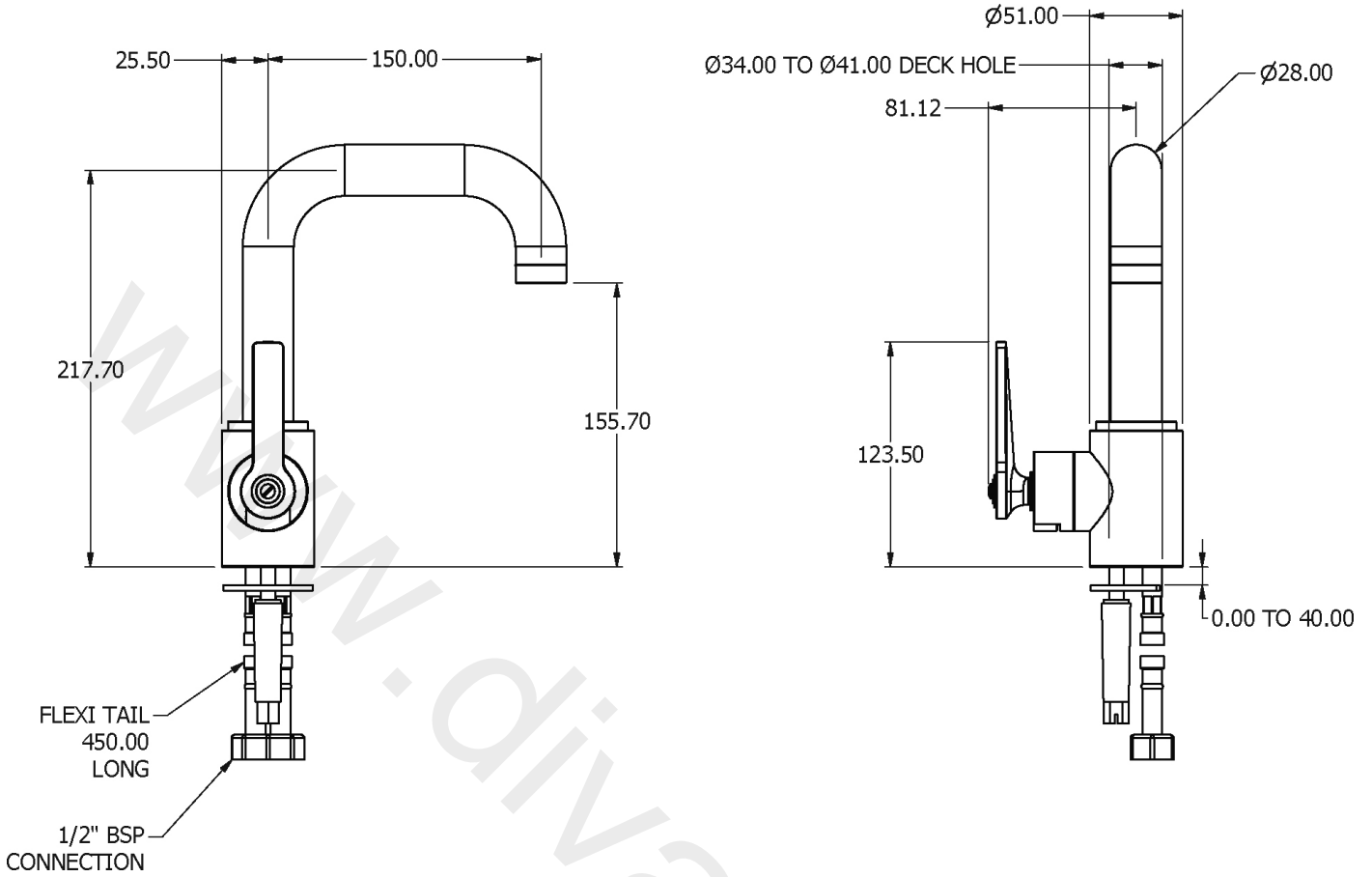


V7K09LK

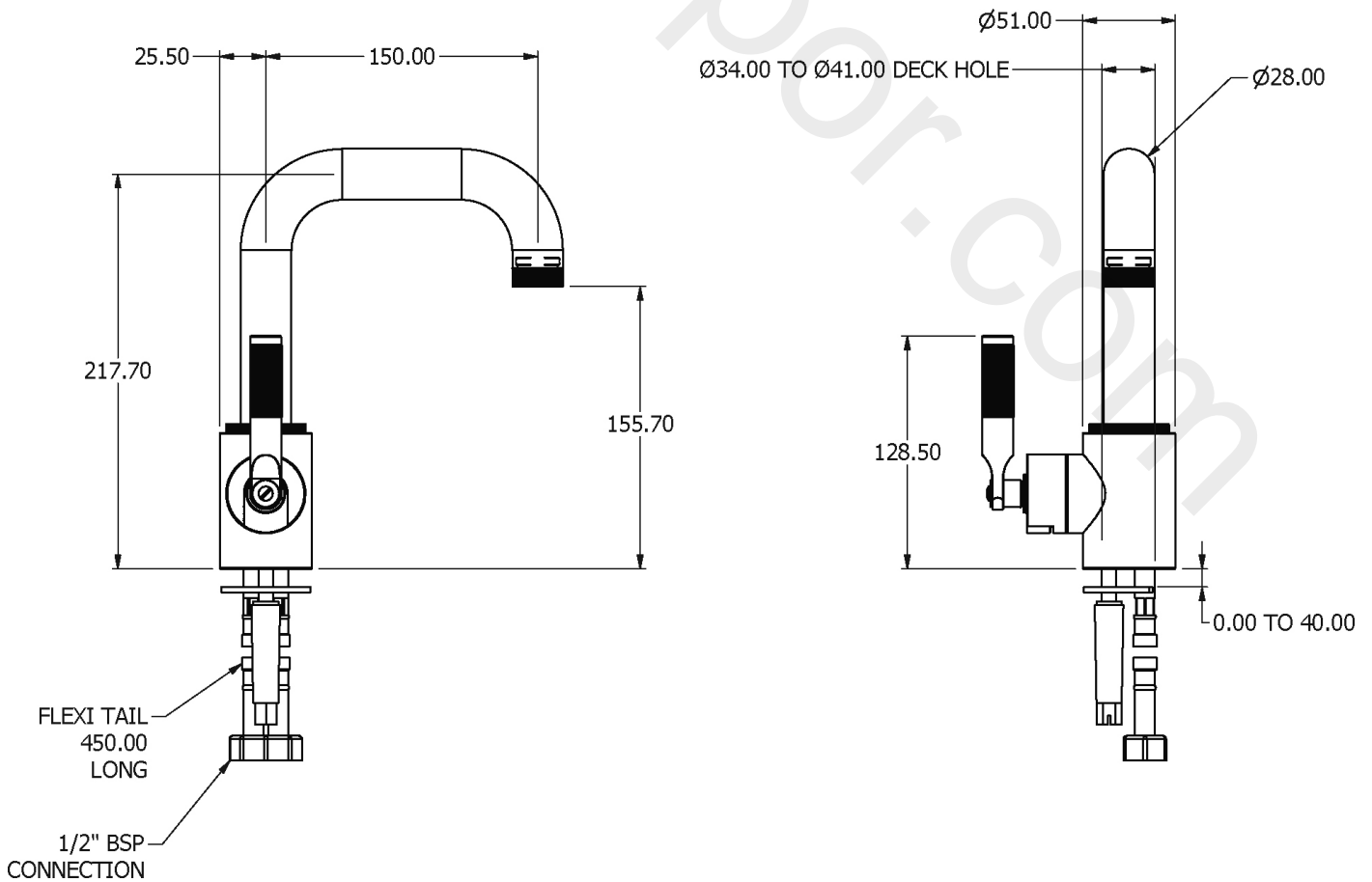


Dimension Key

V7K10LF

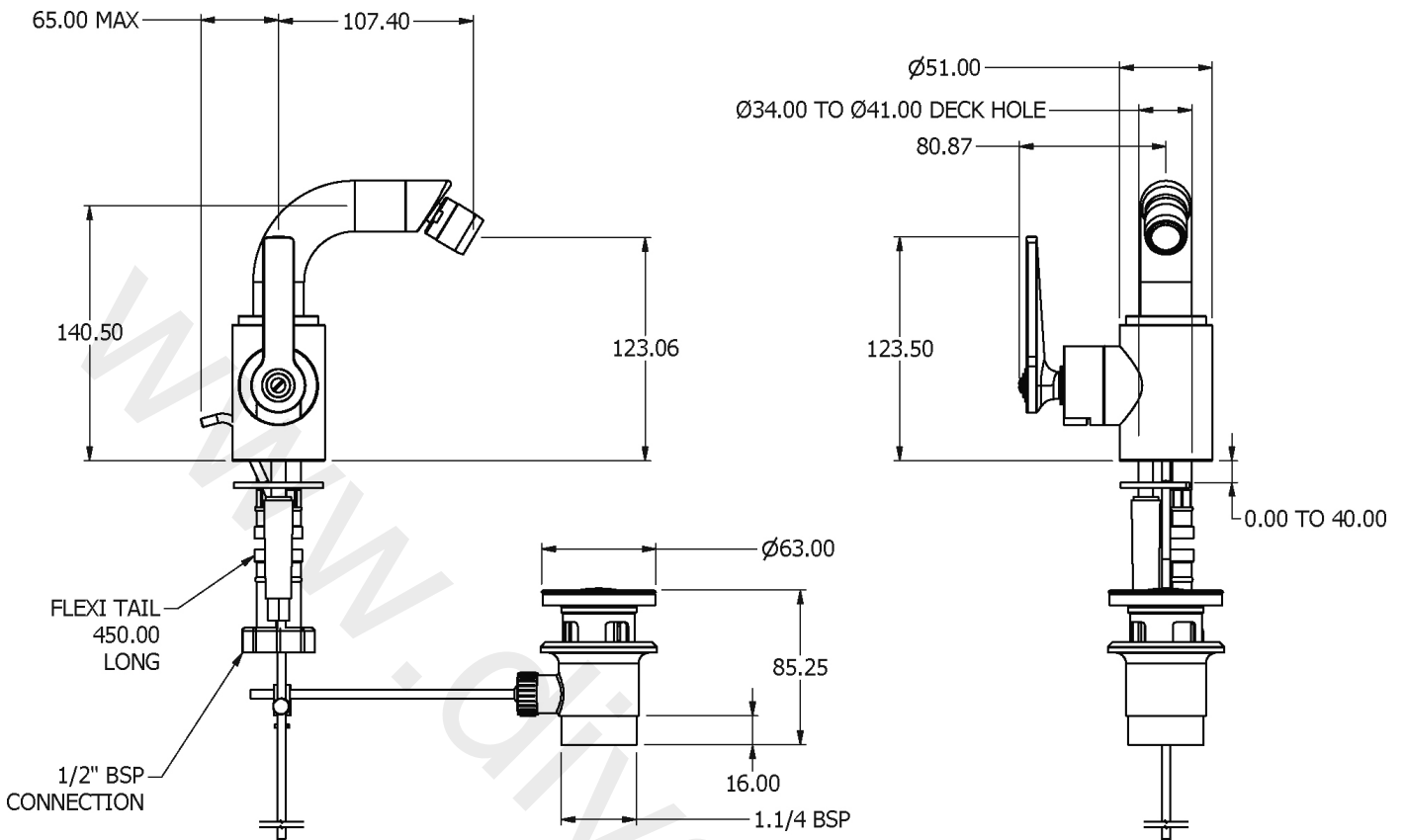


V7K10LK

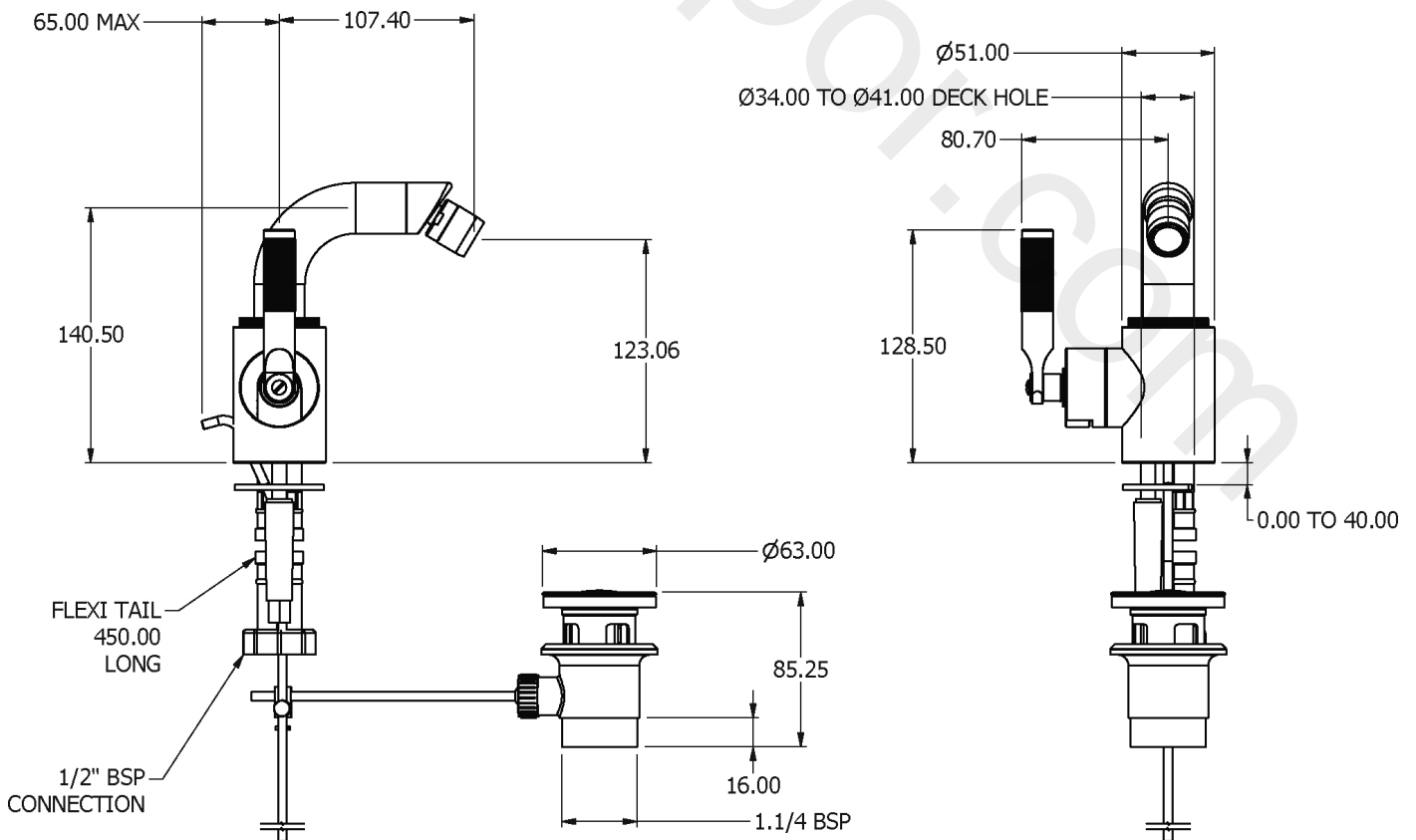


Dimension Key

V7K19LF

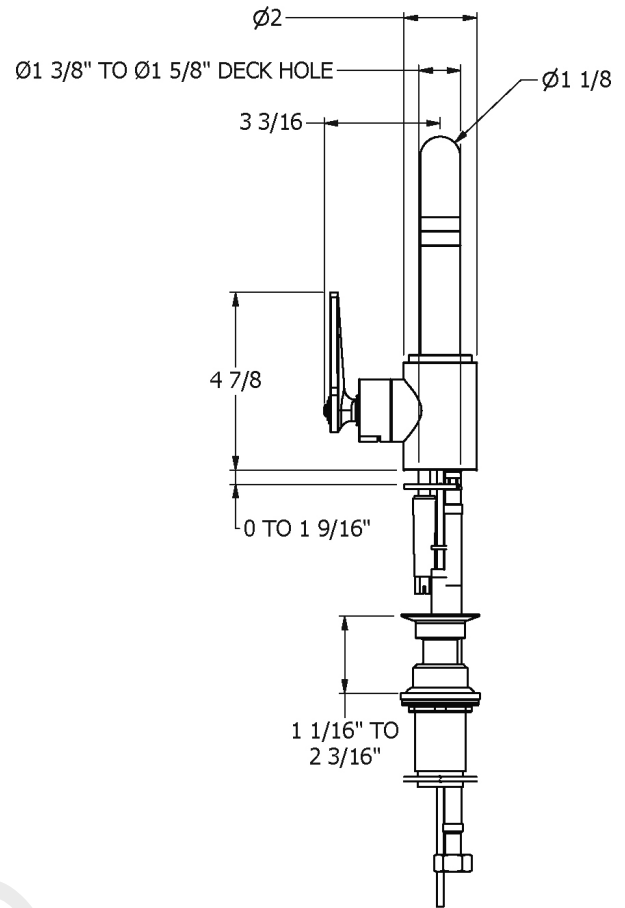
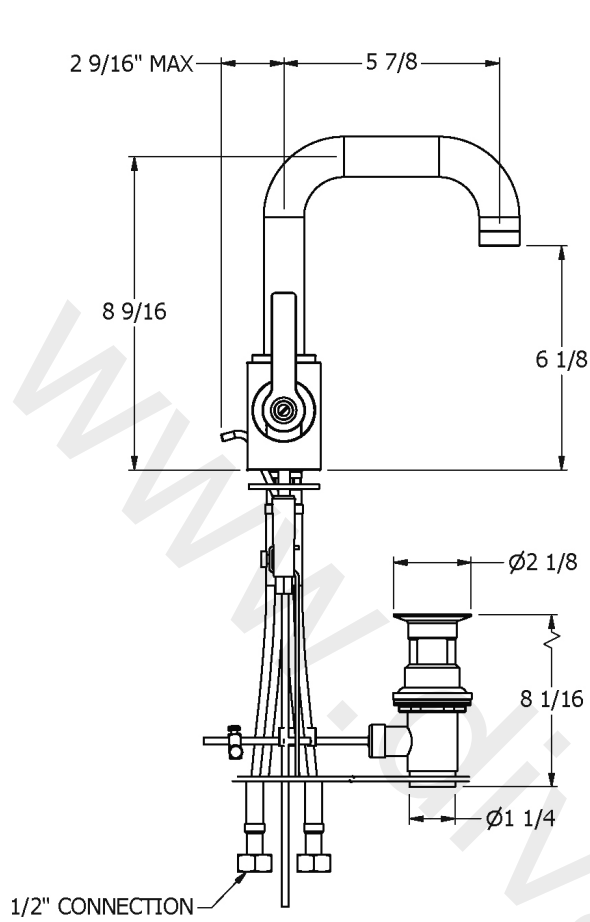


V7K19LK

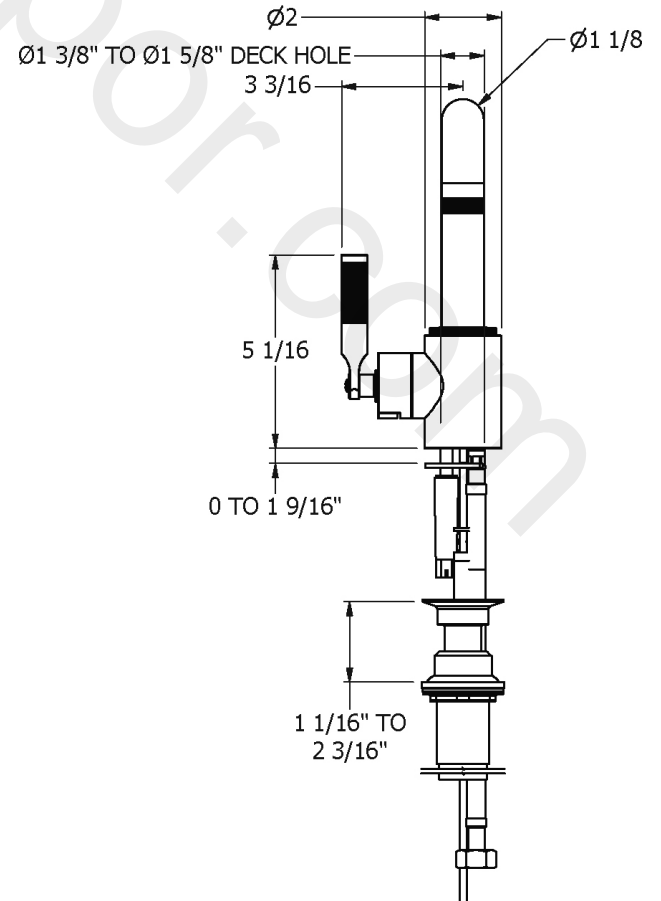
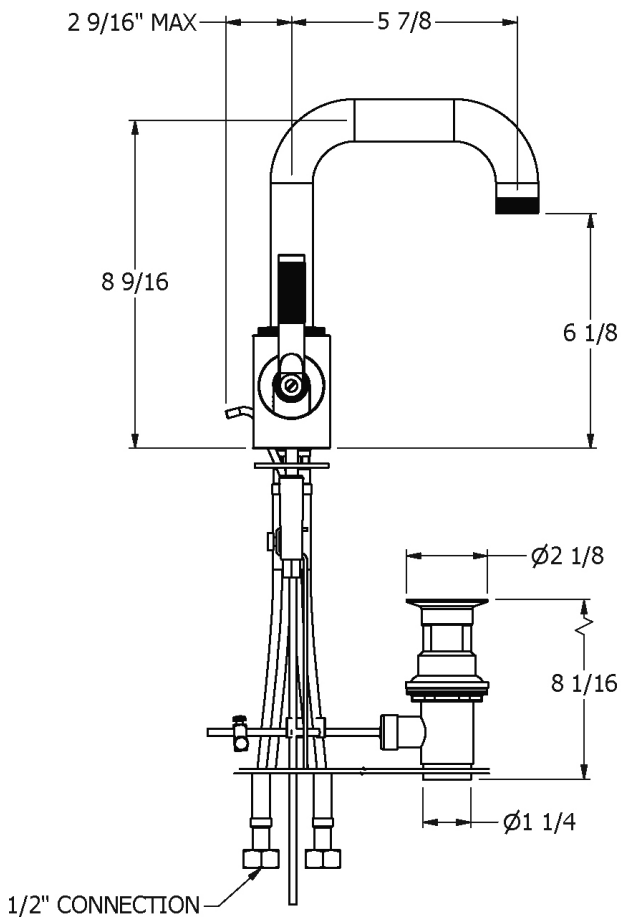


Dimension Key

V7KA09LF

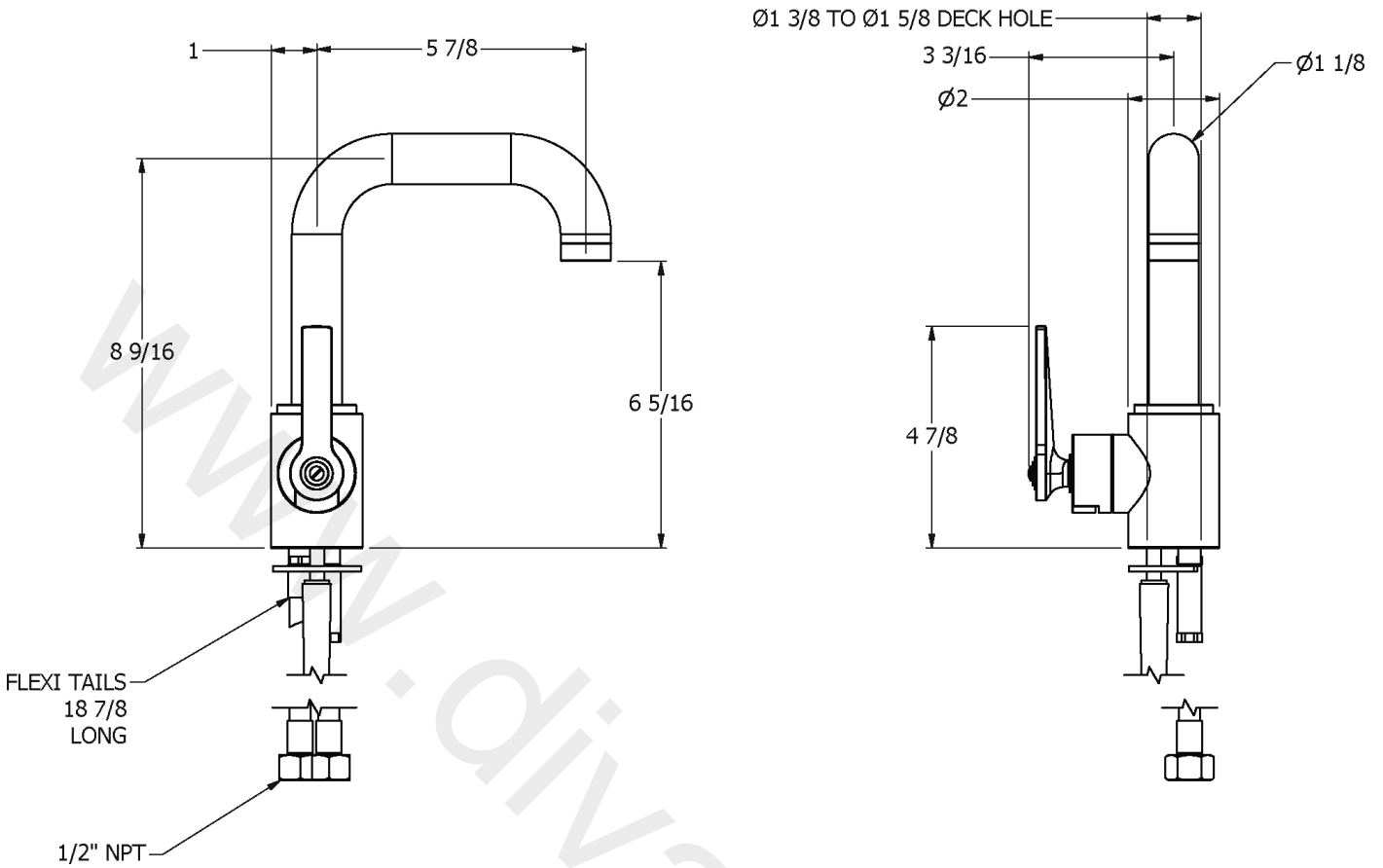


V7KA09LK

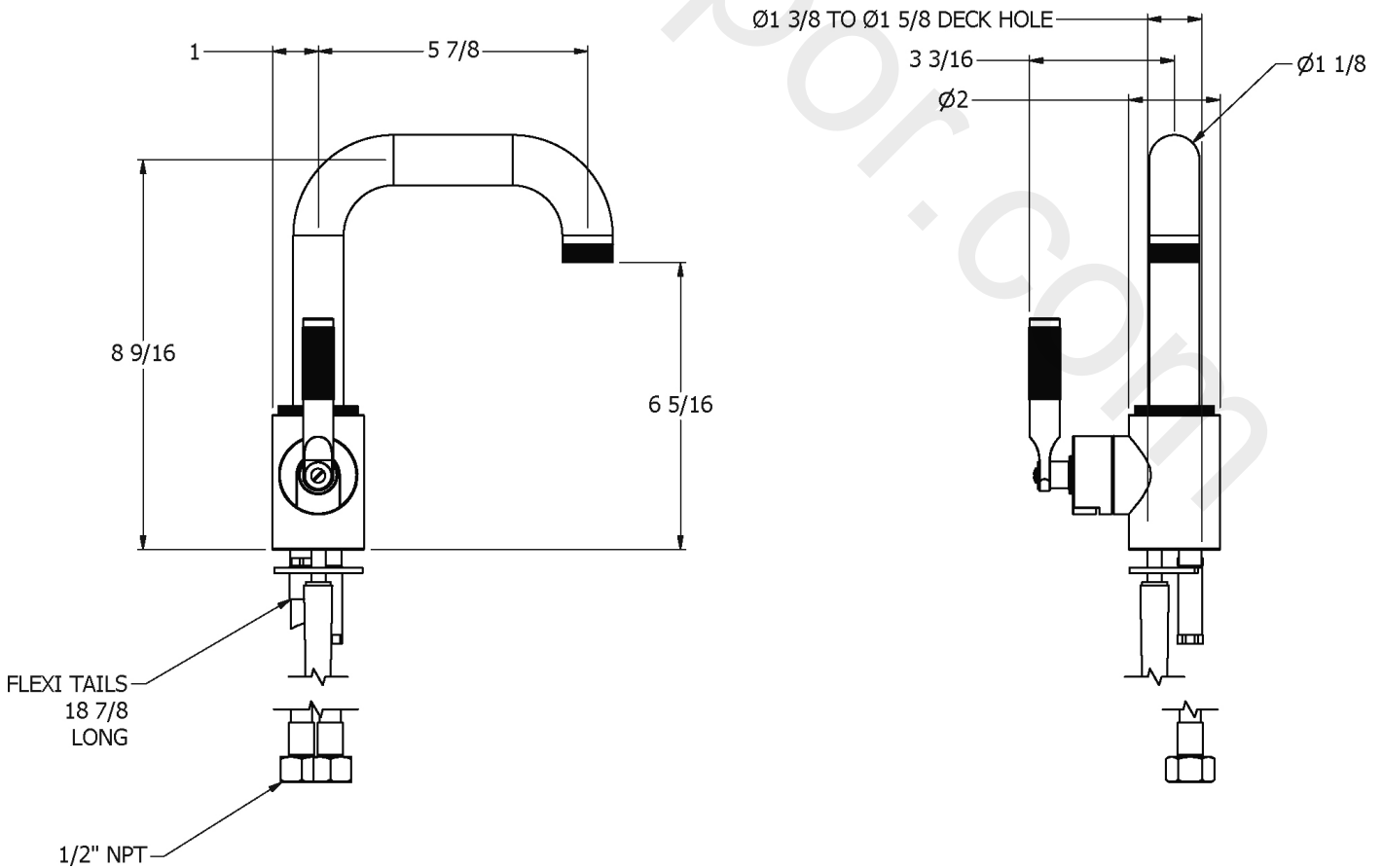


Dimension Key

V7KA10LF

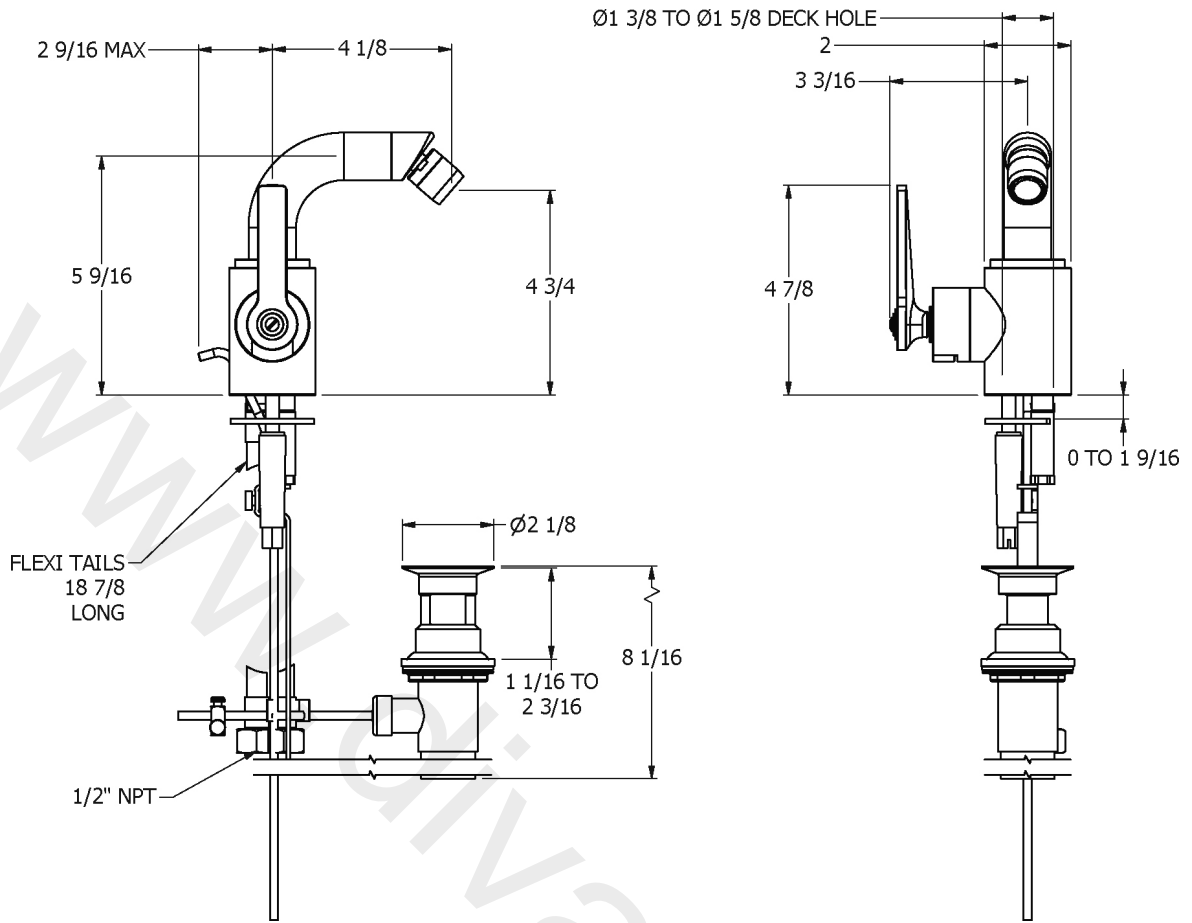


V7KA10LK

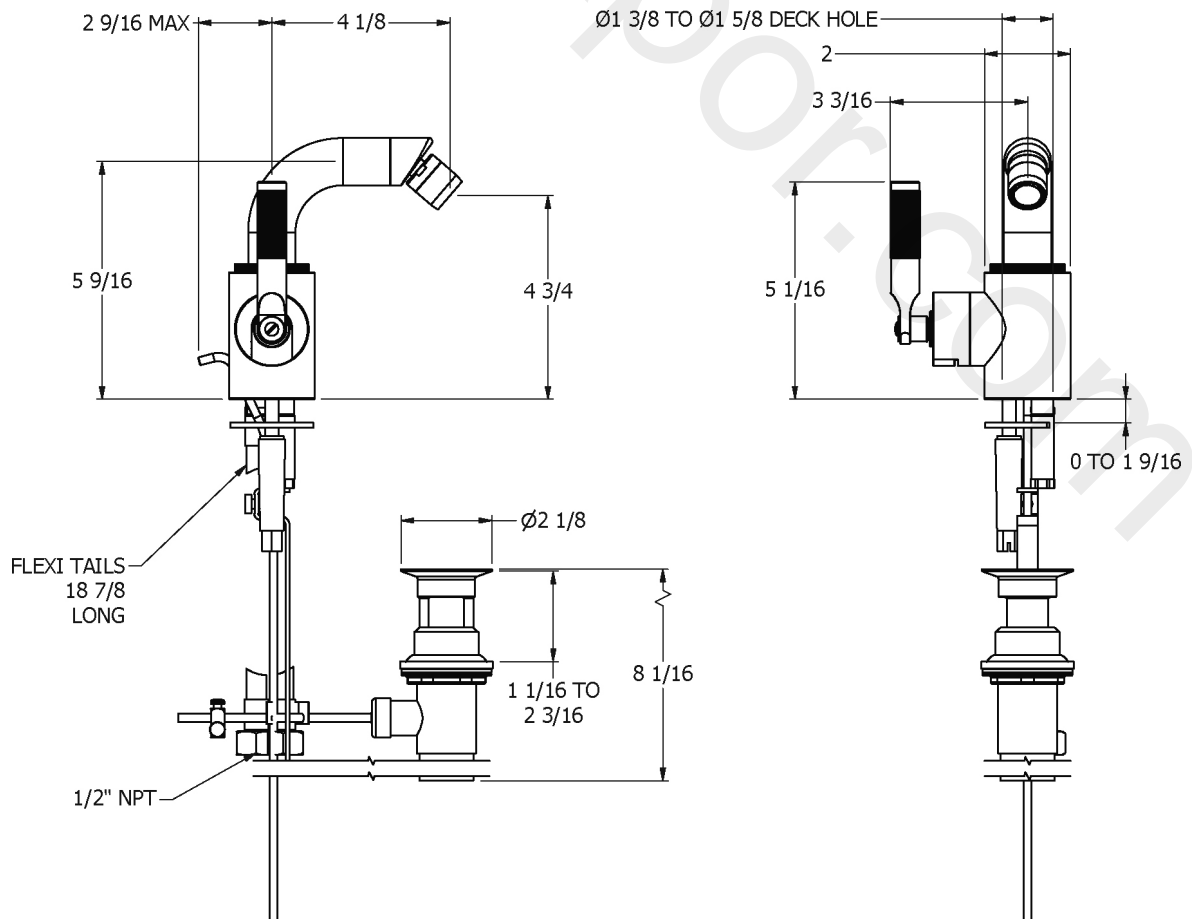


Dimension Key

V7KA19LF

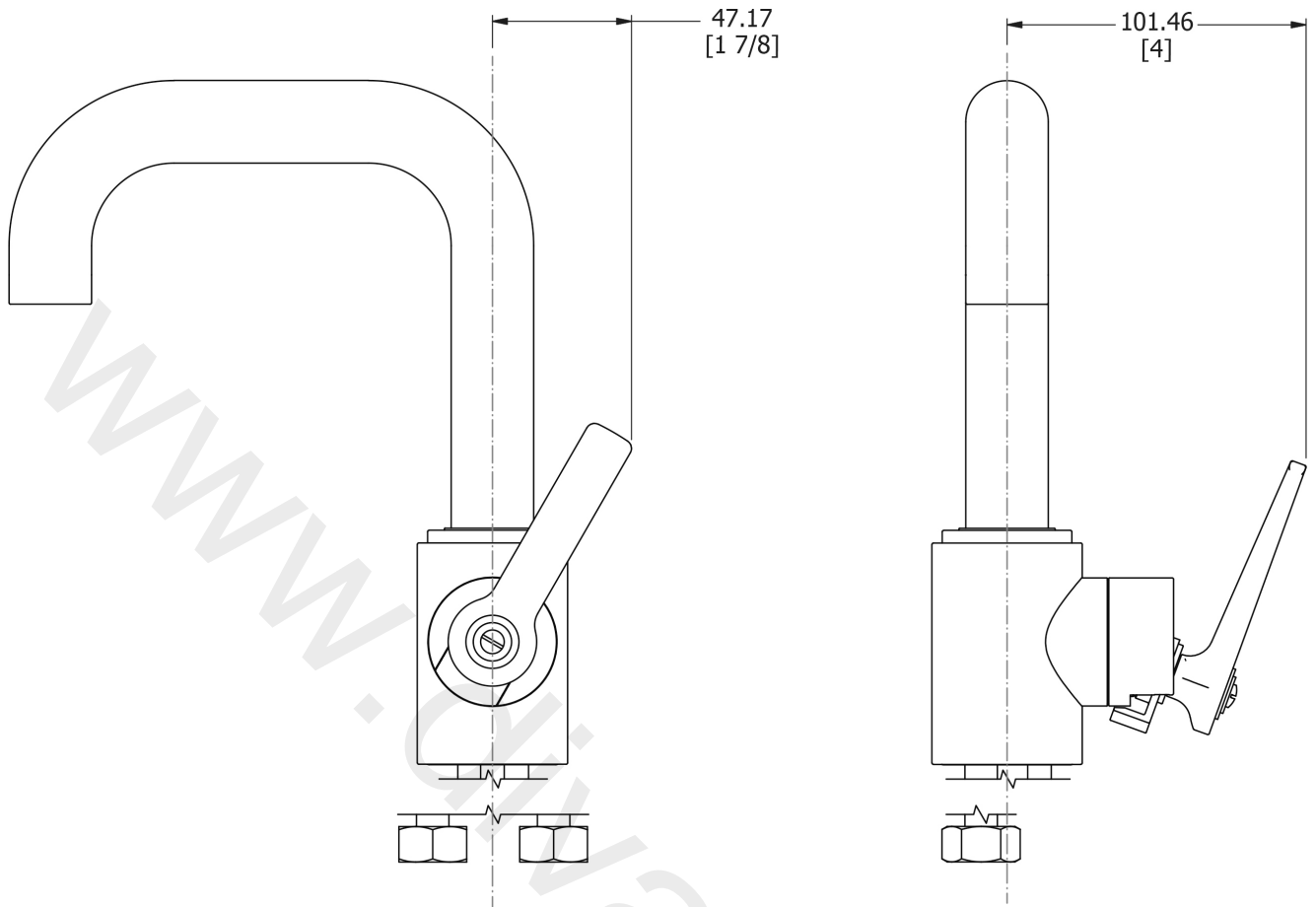


V7KA19LK



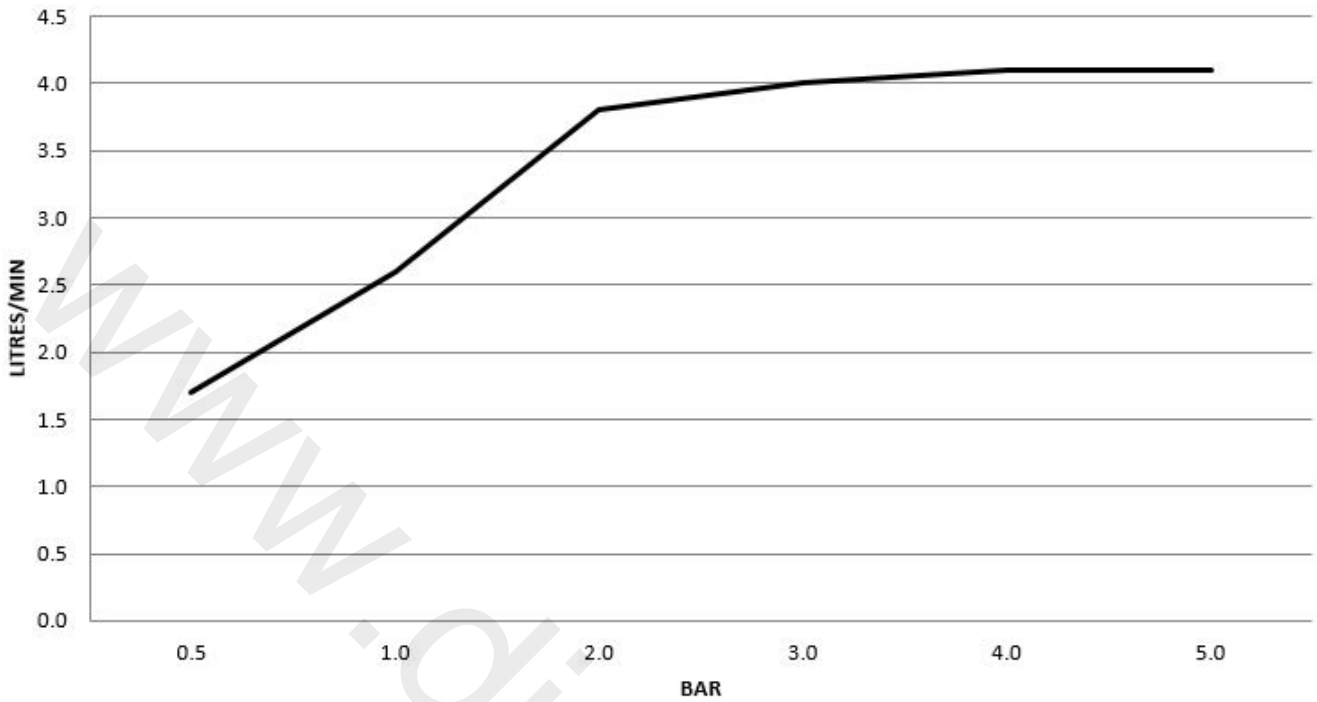
Dimension Key

Single Lever Tap Movement

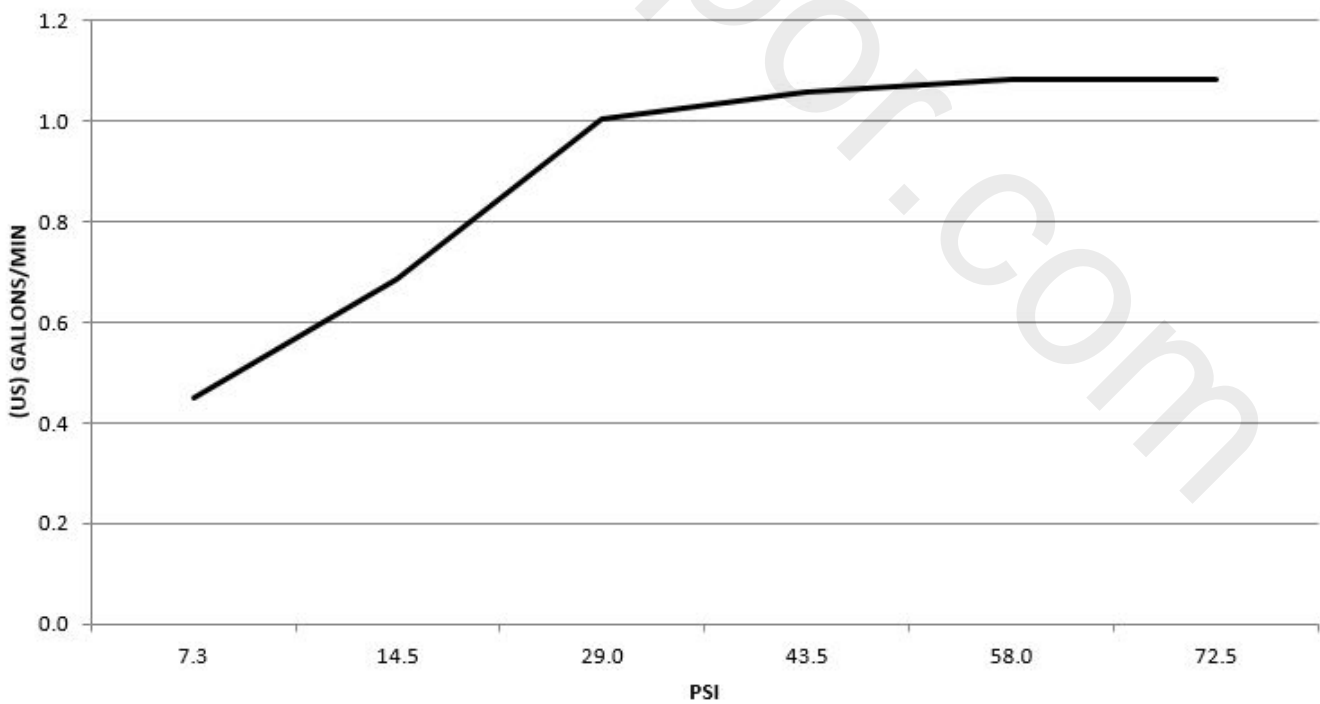


Flow Rates

V709 FLOW RATE LITRES/MIN



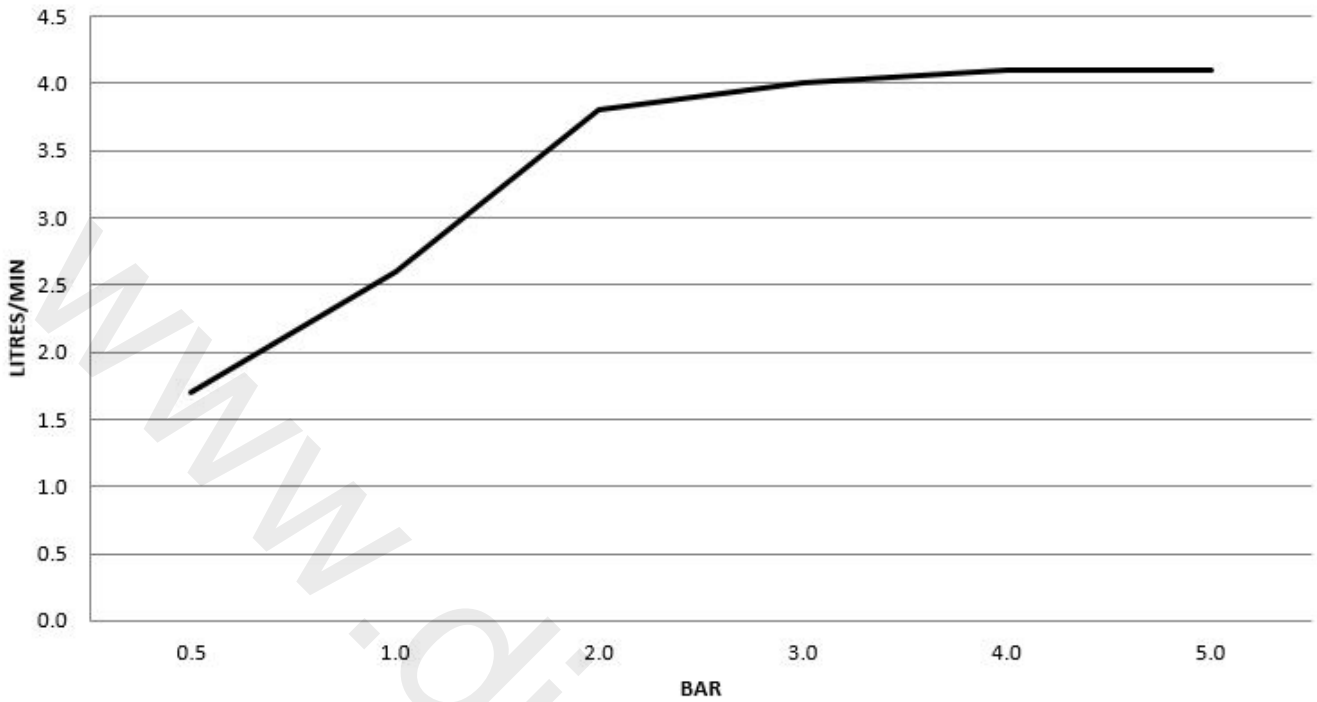
V709-A FLOW RATE (US) GALLONS/PSI



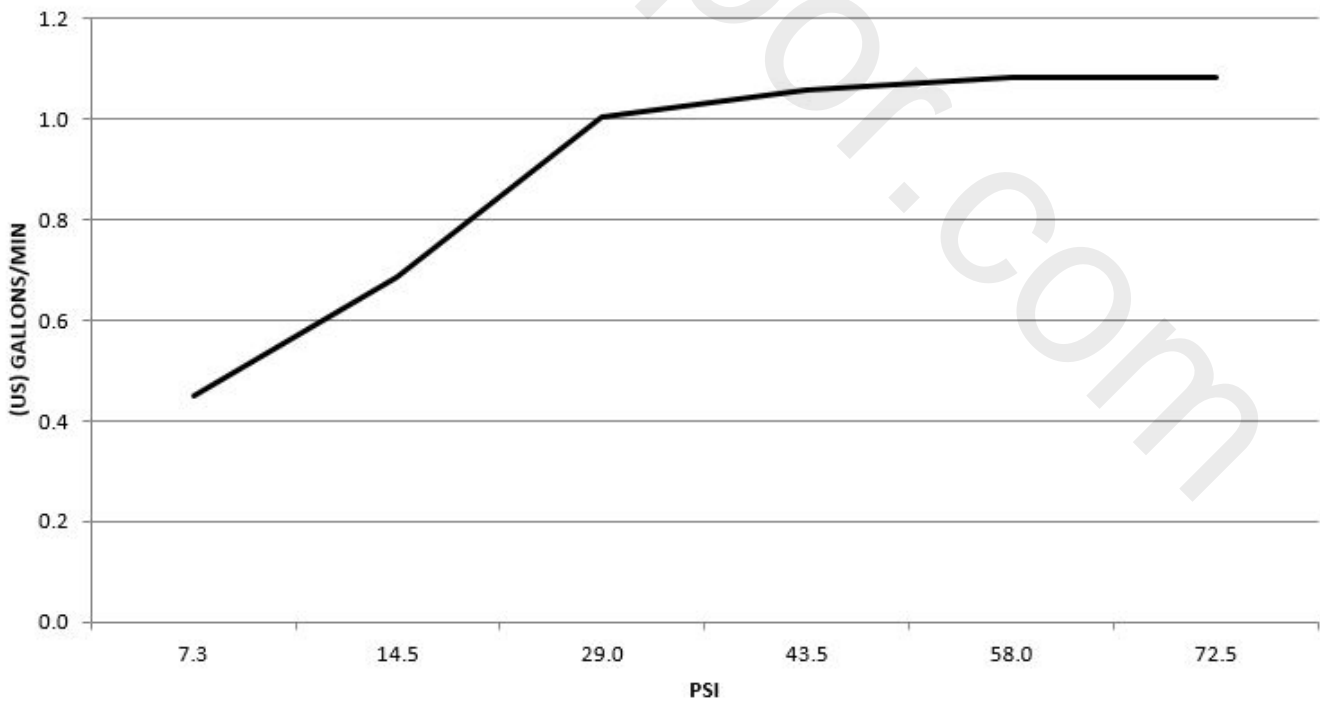
The flow rate data provided in this document is indicative of each product and is given in an open outlet condition. Installation design, external connections and fittings not supplied may affect the data provided.

Flow Rates

V710 FLOW RATE LITRES/MIN



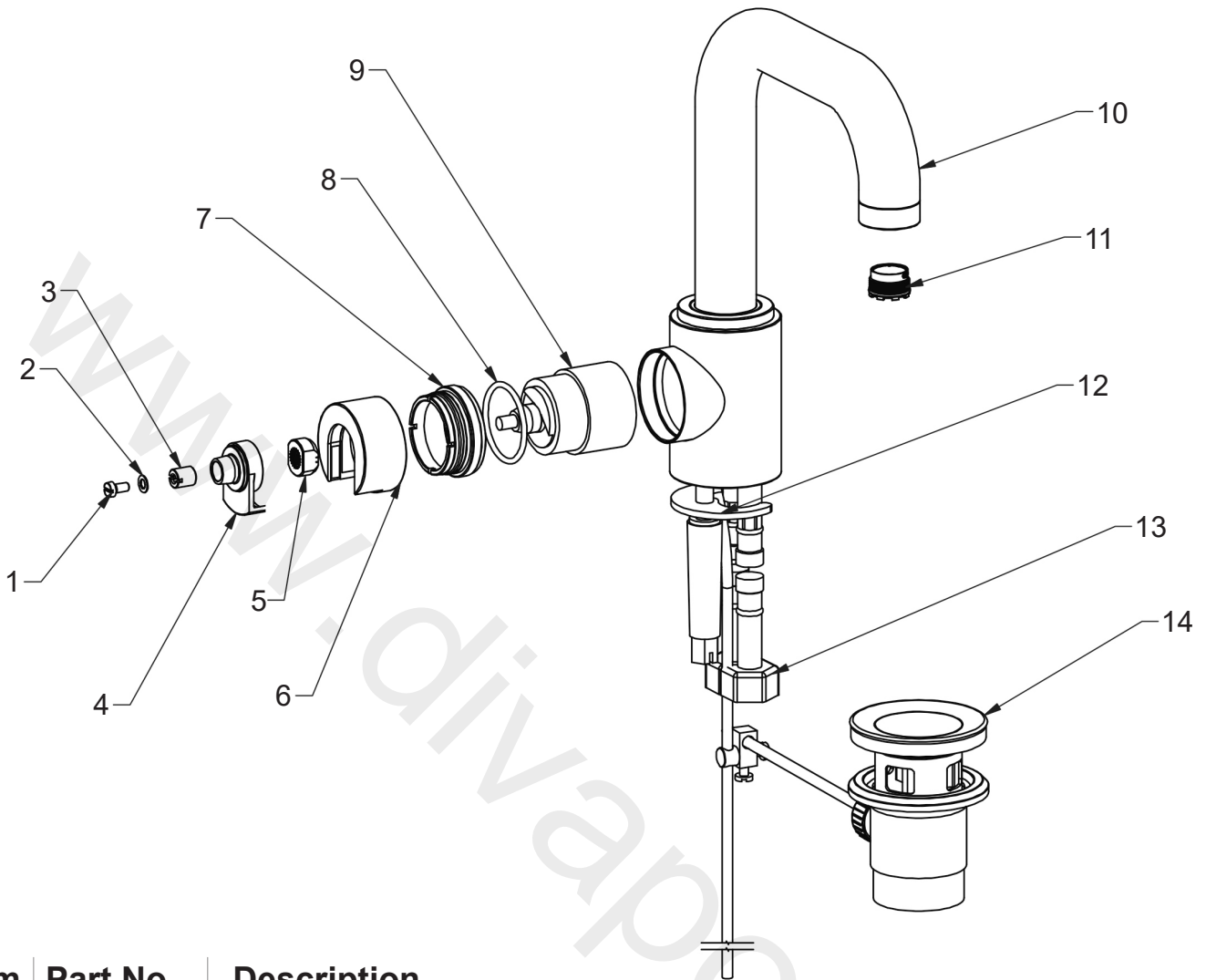
V710-A FLOW RATE (US) GALLONS/PSI



The flow rate data provided in this document is indicative of each product and is given in an open outlet condition. Installation design, external connections and fittings not supplied may affect the data provided.

Spares Information

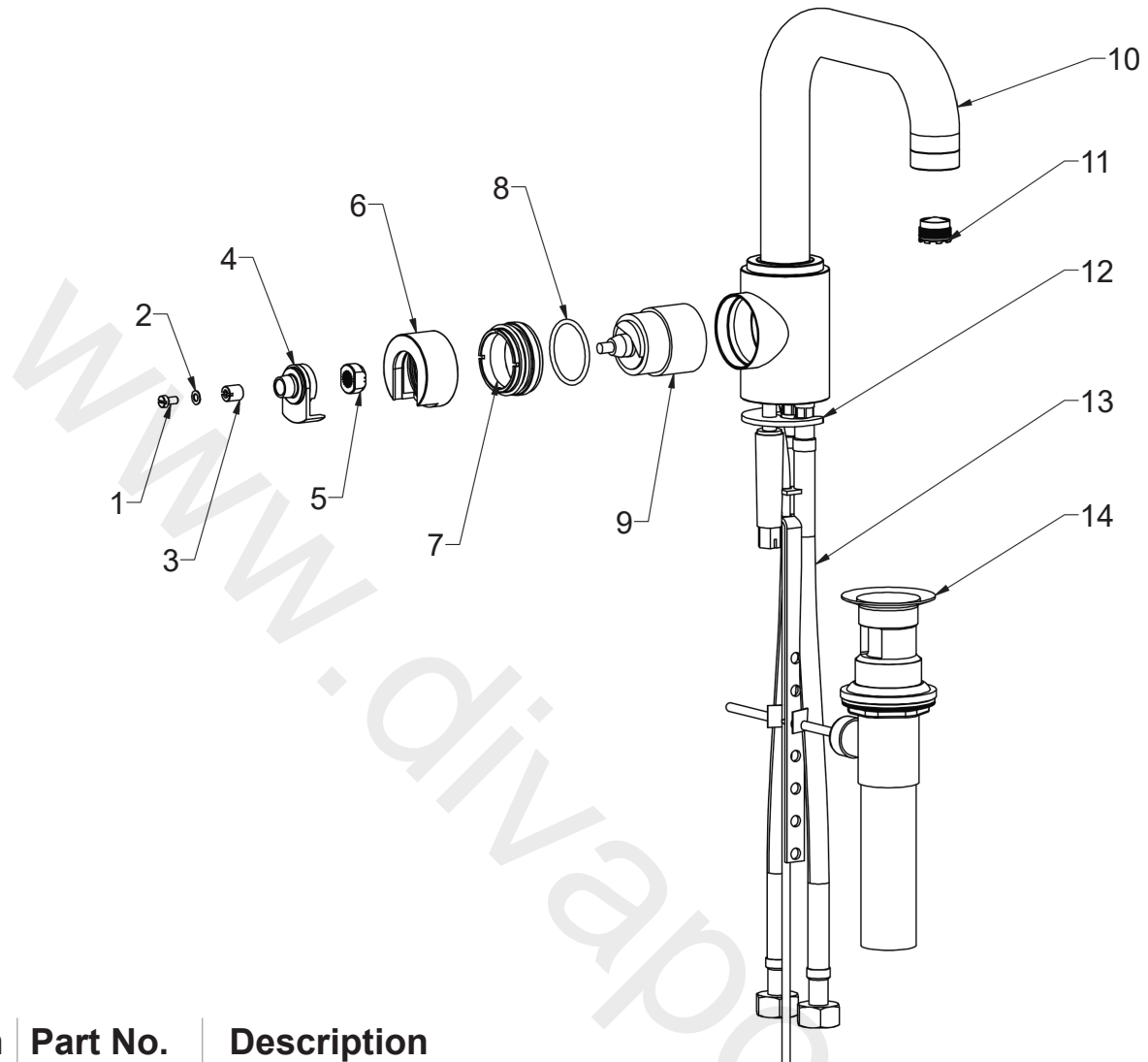
V709 / V710 / V719



Item	Part No.	Description
1	-	Screw
2	-	Washer
3	-	Spindle Lock Nut
4	-	Lever
5	-	Spline Adapter
6	-	Rotating Collar
7	-	Collar Lock Nut
8	-	O-Ring
9	VS56037	Cartridge
10	-	Single Lever Tap
11	-	Aerator
12	-	Washer Kit
13	-	Flexi Tails
14	-	Waste

Spares Information

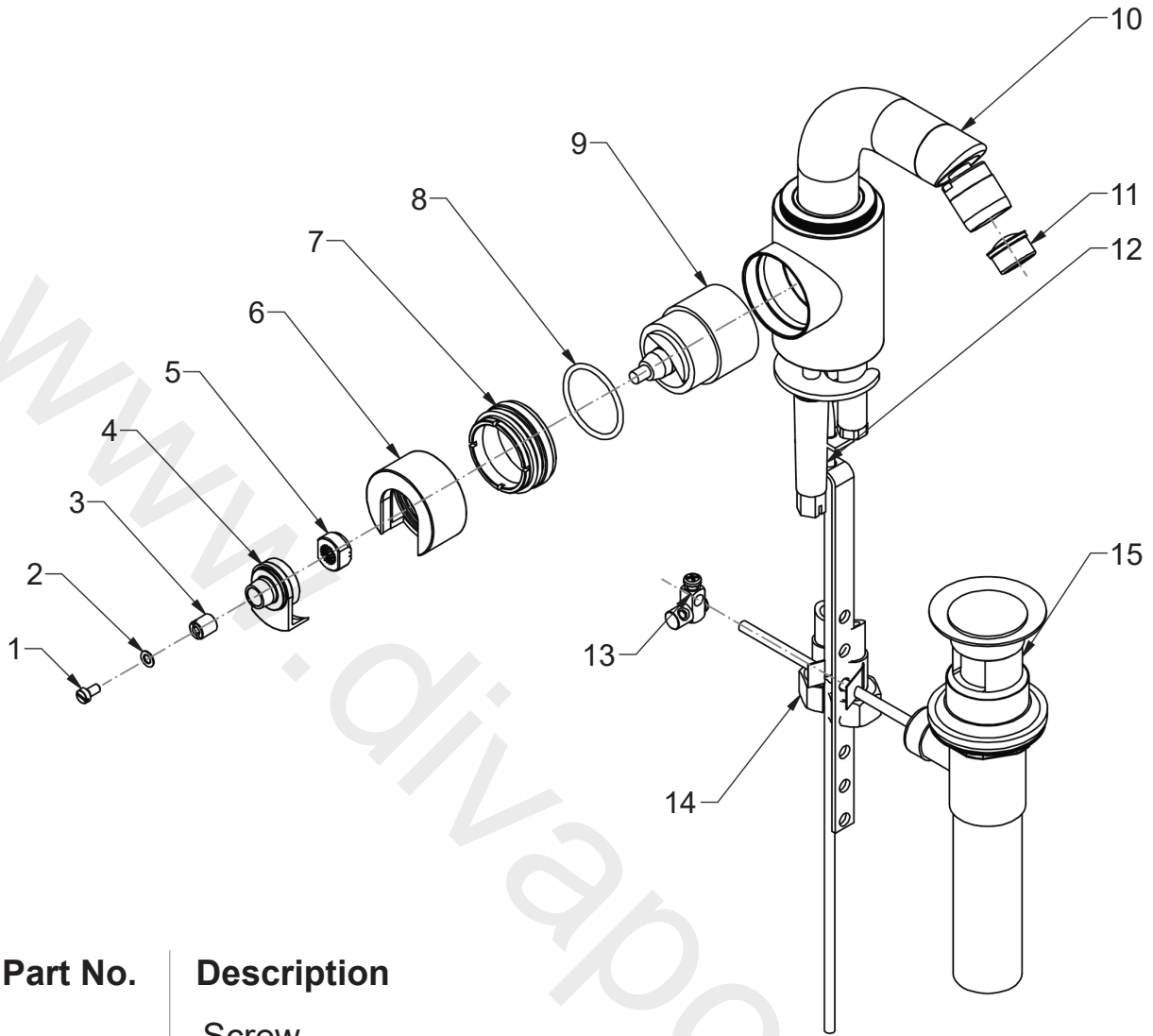
V709-A / V710-A



Item	Part No.	Description
1	-	Screw
2	-	Washer
3	-	Spindle Lock Nut
4	-	Lever
5	-	Spline Adapter
6	-	Rotating Collar
7	-	Locking Collar
8	-	O-Ring
9	VS56037	Cartridge
10	-	Single Lever Faucet
11	-	Aerator
12	-	Washer Kit
13	-	Flexi Tails
14	-	Waste

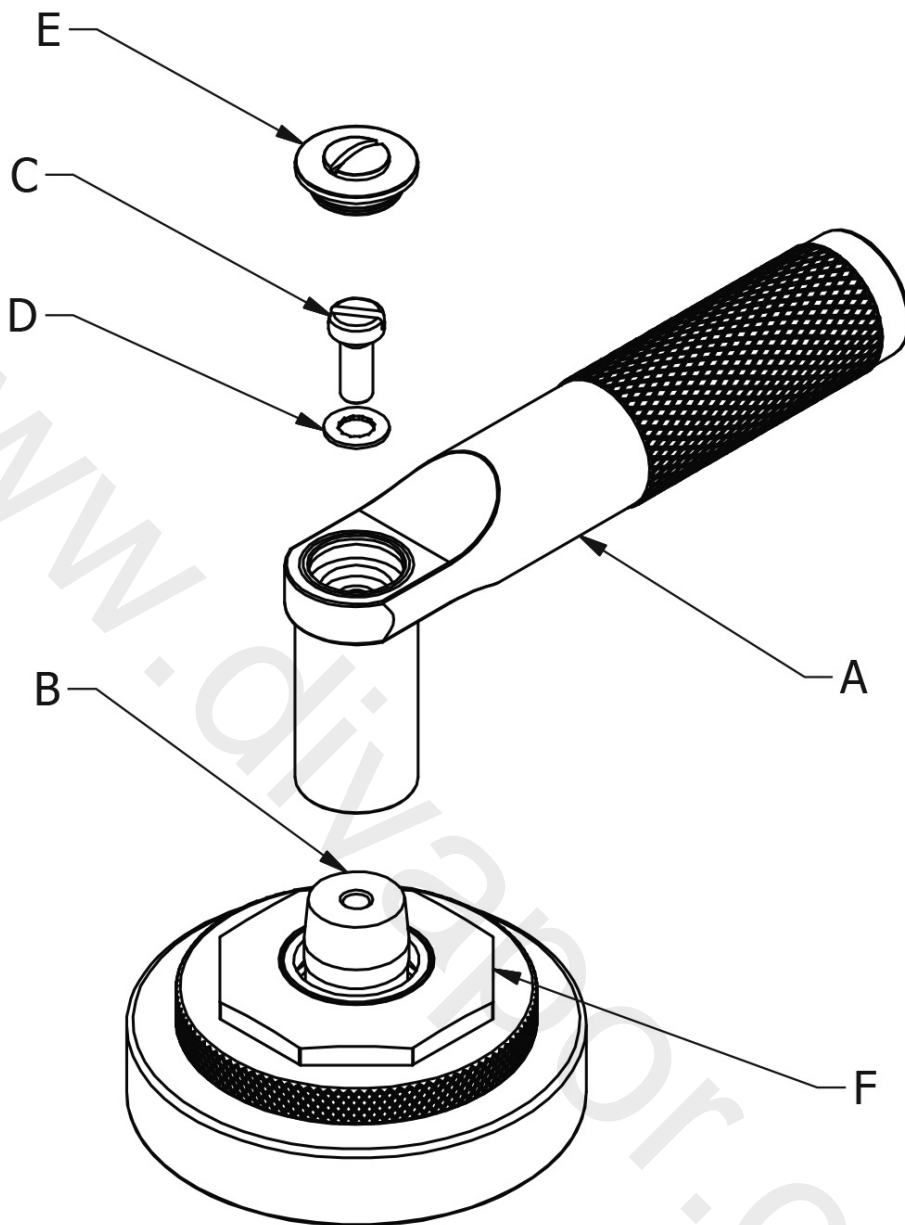
Spares Information

V709-A / V710-A



Item	Part No.	Description
1	-	Screw
2	-	Washer
3	-	Spindle Lock Nut
4	-	Lever
5	-	Spline Adapter
6	-	Rotating Collar
7	-	Locking Collar
8	-	O-Ring
9	VS56037	Cartridge
10	-	Spout Assembly
11	-	Aerator
12	-	C-Washer Kit
13	-	Joining Block
14	-	Flexi Tails
15	-	Waste

Control Assembly Instructions

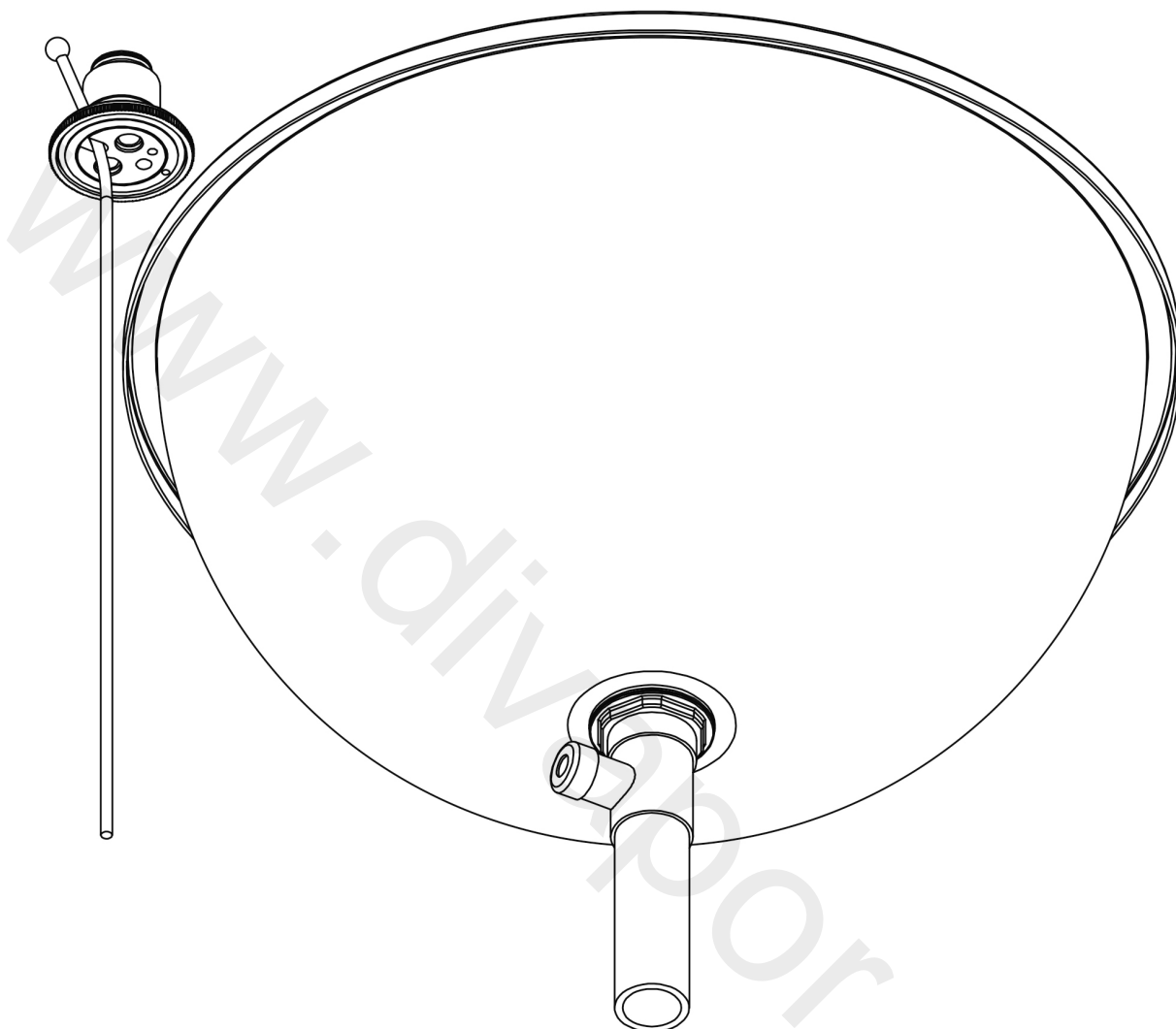


1. Screw handle (A) onto spindle (B) using screw (C) and washer (D).
2. Push indice (E) into the handle option (A) to conceal the fixing.
3. The octagonal nut (F) can be rotated to the desired angle.

Note: The taper on the spindle (B) will lock in to the female taper in the handle option (A).

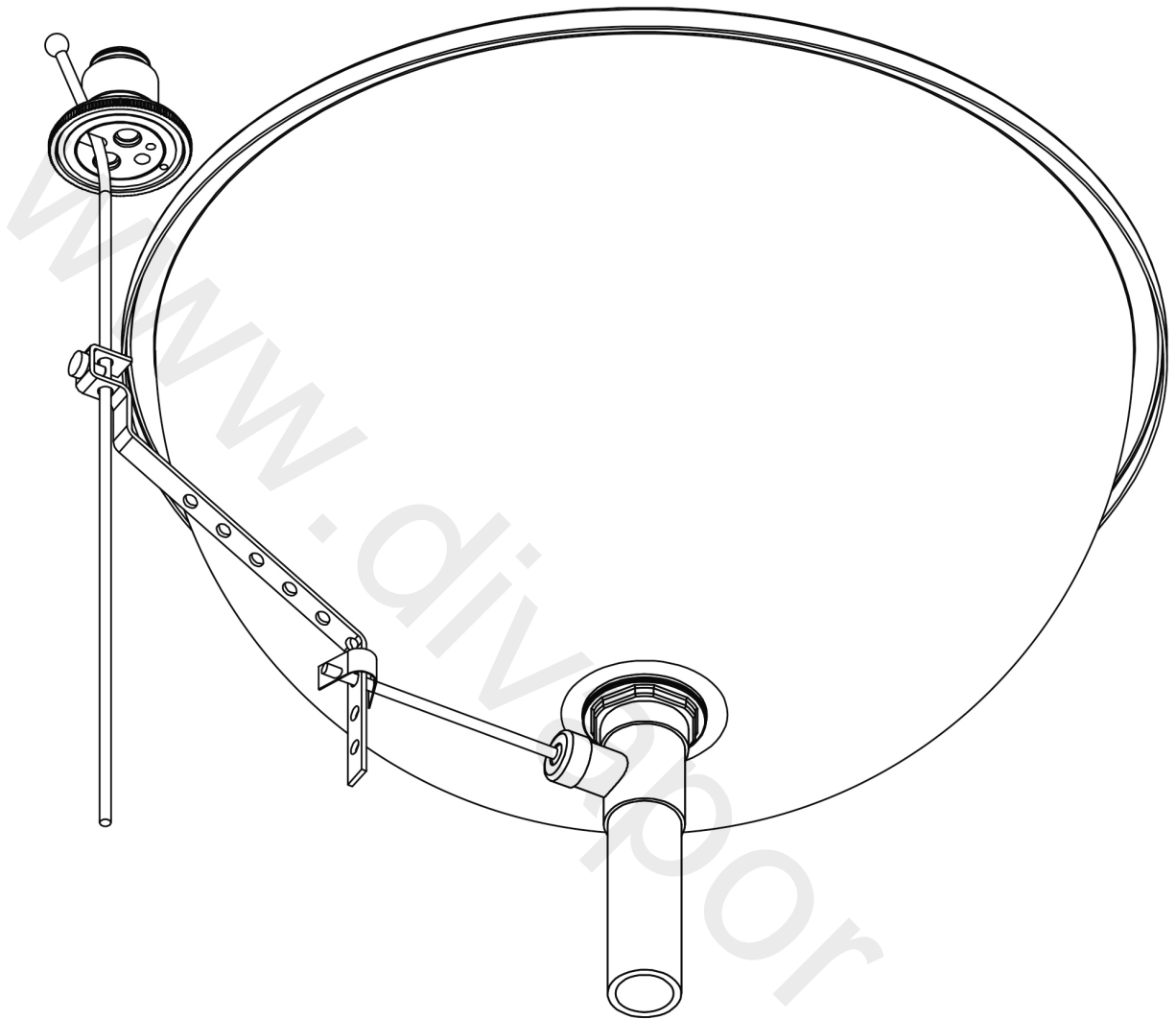
To remove the handle option (A) remove the screw (C) and washer (D). The handle option (A) has an M5 thread through its central fixing hole, by screwing an M5 screw in to this it will push the handle option (A) and the spindle (B) apart.

V709-A / V719-A Waste Set Up



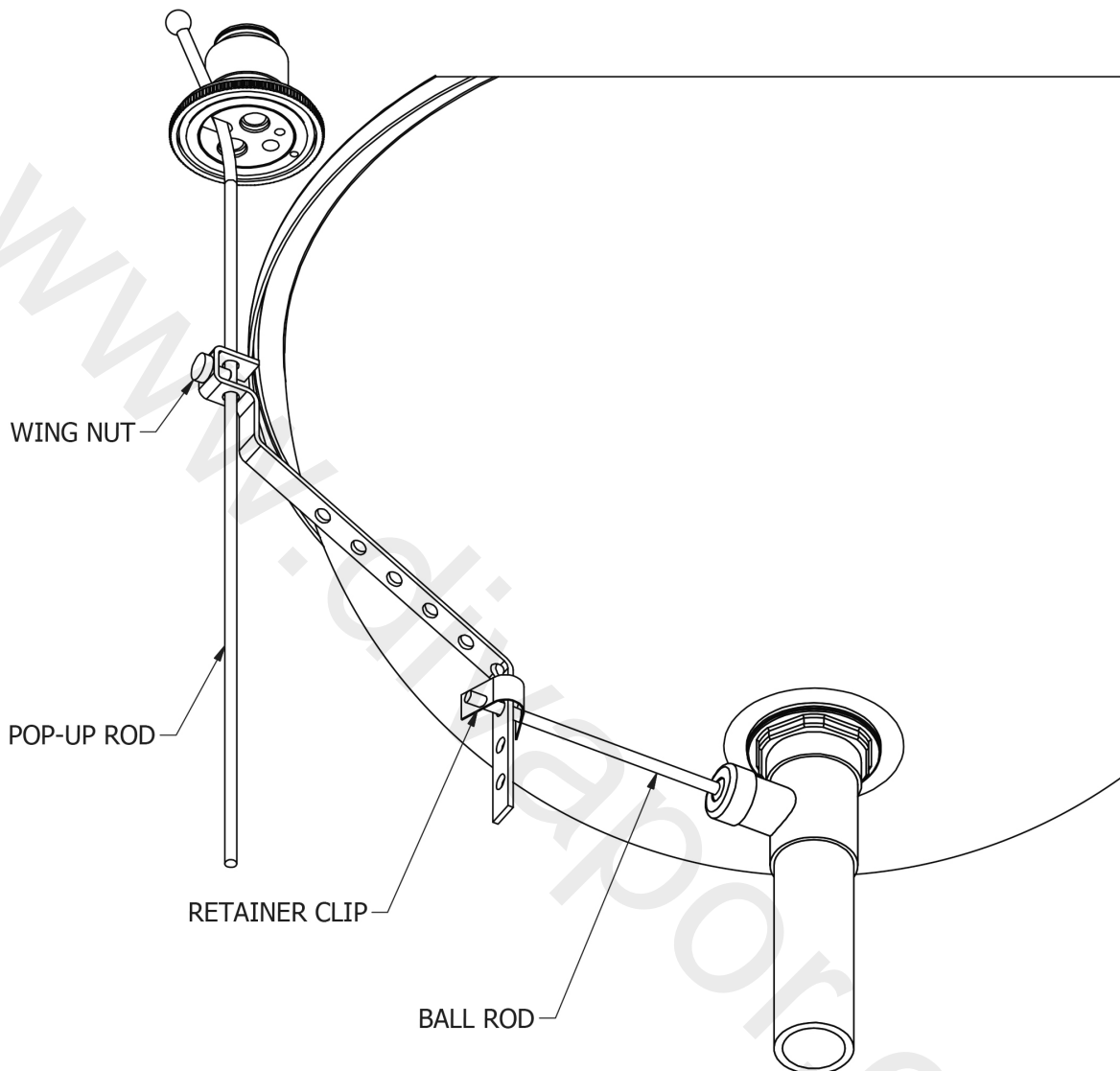
1. Assemble the drain to the basin.
2. Assemble the spout to the deck with the pop-up rod in position as shown above.

V709-A / V719-A Waste Set Up



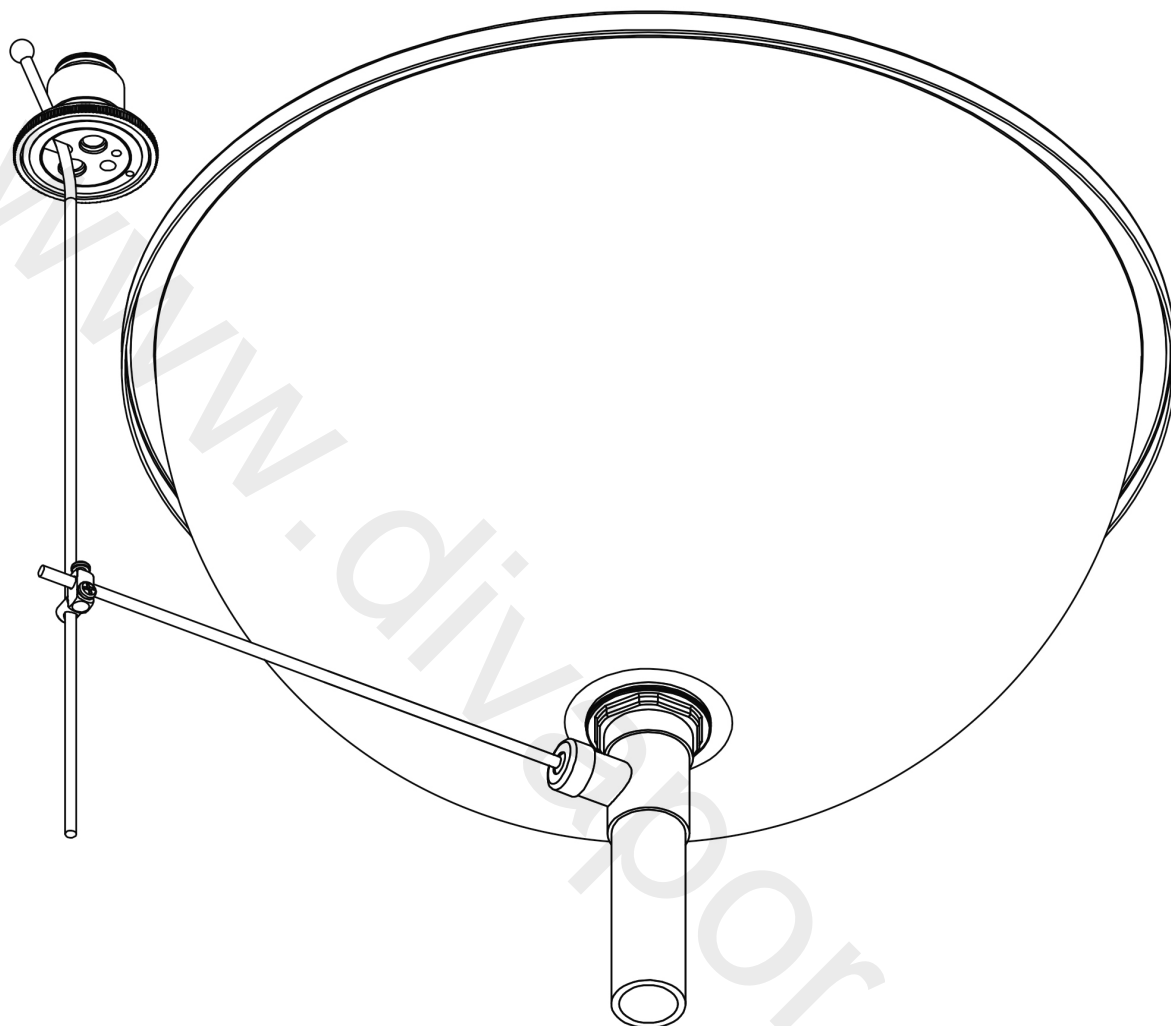
3. Assemble the ball rod to the drain.
4. Bend the metal strap to link the pop-up rod as shown above.
5. Secure the metal strap in place using wing nut and retainer clip.

V709-A / V719-A Waste Set Up



6. Adjust the position of the metal strap to allow the pop-up waste to action correctly.

V709-A / V719-A Waste Set Up



Note: Alternatively, the ball rod and pop-up rod can be joined with the Joining Block (illustrated above).

IMPORTANT NOTES

1. Installation should be carried out by a competent engineer, in accordance with water regulations.
2. Before installation, ensure supply pipes are flushed clean. Debris or loose particles will affect the efficiency of the ceramic disc cartridge.
3. For mixer taps, it is recommended that hot & cold pressures are equally balanced.
4. To help maintain the high quality finish, please clean with a soft damp cloth. Do not use abrasive polish or cleaners. Stains may be removed using undiluted washing up liquid.
5. Ceramic cartridges in hard water areas. To prolong the lifespan and reduce servicing periods of your Samuel Heath tap we recommend that a suitable water softener be fitted. Consult your installer/designer for details.
6. Please note that as with all tap and shower ware it will be necessary from time to time for the products to be serviced, this should be carried out by a qualified Plumbing Engineer.

NOTES IMPORTANTES

1. L'installation doit être faite par un ingénieur qualifié, selon les règlements du Service Eau.
2. Avant l'installation, il faut s'assurer que les tuyaux d'approvisionnement sont complètement purgés. Les déchets flottants auront un effet détrimentaire sur l'efficacité de la cartouche céramique.
3. Il est recommandé que les pressions de l'eau chaude et eau froide des mitigeurs et mélangeurs soient maintenues à un niveau égal.
4. Pour conserver la finition de haute qualité, nettoyer avec un chiffon doux et humide. N'employer jamais de la cire et des produits abrasifs. Les tâches peuvent être enlevées à l'aide de liquide vaisselle pur.
5. Cartouches en céramique dans les régions à eau calcaire. Pour prolonger la durée et réduire l'entretien de votre robinetterie Samuel Heath, nous recommandons d'utiliser un adoucisseur d'eau convenable. Veuillez consulter votre installateur/fournisseur pour plus de renseignements.
6. Veuillez noter qu'un entretien sera nécessaire de temps en temps et doit être effectué par un installateur qualifié.

WICHTIGE HINWEISE

1. Installation sollte durch einen kompetenten Fachmann und nach den üblichen Vorschriften ausgeführt werden.
2. Vor Installation Wasserleitung gründlich durchspülen. Verschmutzung wird die Funktion der Kartusche erheblich einschränken.
3. Für Mischbatterien ist es wichtig, daß Wasser mit gleichem Druck eingeführt wird.
4. Um den optimalen Zustand dieses Produktes zu erhalten, wischen Sie es bitte nur mit einem feuchten, weichen Lappen ab. Auf keinen Fall Scheuermittel verwenden. Flecken lassen sich mit unverdünntem Geschirrspülmittel entfernen.
5. Keramikkartuschen in Hartwasserbereichen. Um die Lebensdauer zu verlängern und Wartungszeiten zu reduzieren empfiehlt Samuel Heath den Einsatz eines geeigneten Wasserenthärter. Fragen Sie Ihren Installateur/Designer um Rat.
6. Bitte merken Sie, dass alle Armaturen ab und zu eine Wartung brauchen. Diese soll durch einen kompetenten Installateur ausgeführt werden.

ATENCION

1. La instalación se debe realizar por un fontanero.
2. Antes de la instalación, deben pulgar las tuberías dejando correr el agua por las tuberías para que arrastren los residuos de montaje/obra, con el motivo de que no afecte la eficacia del cartucho de cerámica.
3. Para grupo baño/ducha se recomienda que las presiones del agua caliente y frío sean equilibradas.
4. Para ayudar a mantener el acabado de este producto, limpiar con un paño húmedo suave. No se debe emplear productos abrasivos de baño. Las manchas se pueden quitar empleando líquido lava-vajillas puro.
5. Cartuchos cerámicos en áreas de aguas duras. Para prolongar su vida útil y reducir los periodos de reparación de su grifo SamuelHeath recomendamos la instalación de un descalcificador de agua. Consulte a su instalador para más detalles.
6. Igual que con todo tipo de grifería y duchas, de vez en cuando será necesario llevar a cabo una revisión al producto; esto debería ser realizado por un fontanero calificado.

ATTENZIONE

1. L'impianto deve essere montato da personale tecnico in conformità alle vigenti leggi.
2. Prima dell'installazione assicurarsi che le tubature dell'acqua siano pulite. Detriti o residui di lavorazione compromettono l'efficienza del cartuccio.
3. Per i gruppi, si raccomanda che le pressioni acqua calda e acqua fredda siano ugualmente bilanciate.
4. Per mantenere la finizione di ottima qualità, pulire con un panno soffice e inumidito.
Non usare creme lucidanti e materiali abrasivi. Le macchie potranno essere tolte usando del detersivo per piatti puro.
5. Come con tutti i tipi di rubinetti e docce, di volta in volta è necessario effettuare una revisione al prodotto; questo dovrebbe essere fatto da un idraulico qualificato.

SAMUEL HEATH

Head Office and Customer Service

Leopold Street
Birmingham
England
B12 0UJ

T: +44 (0)121 766 4200
F: +44 (0)121 772 3334

Info@samuel-heath.com
www.samuel-heath.co.uk

US Customer Service

usa@samuel-heath.com
Federal I.D. No. 58-1504682
www.samuel-heath.com

8-40456
Issue: C