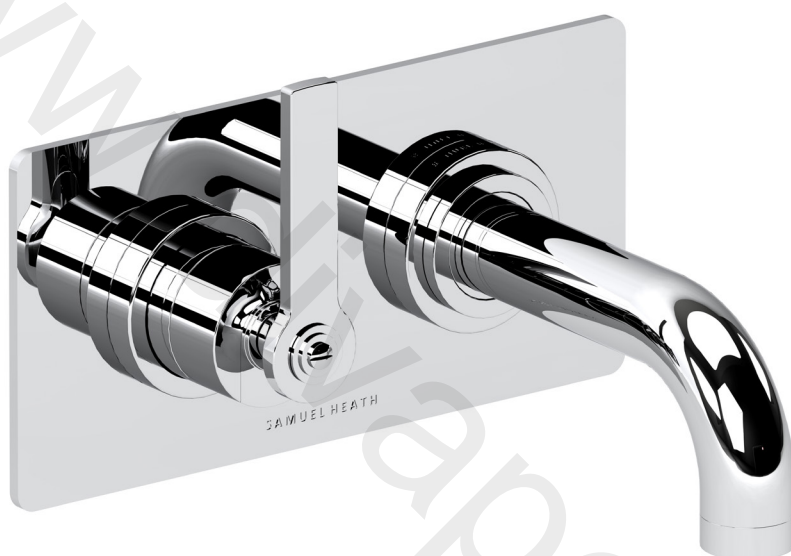


SAMUEL HEATH

Product Data Sheet

V720-1 / V720-2 / V720-3 / V720-ALL-1 / V720-ALL-2 / V720-ALL-3
2 Hole Basin / Lavatory Filler, Wall Mounted

V735-1 / V735-2
2 Hole Bath / Tub Filler, Wall Mounted

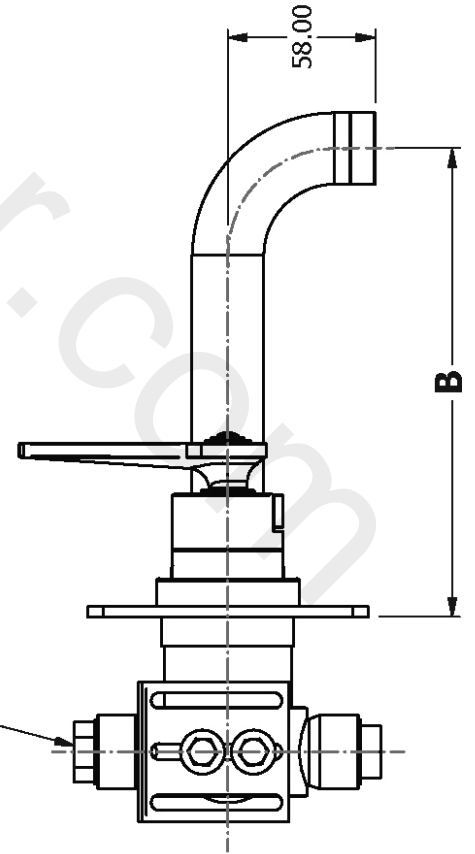
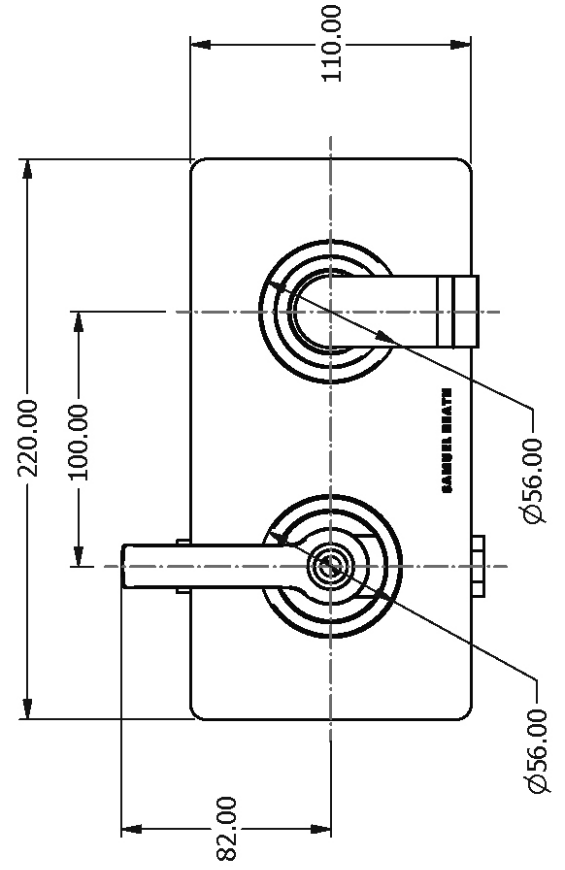
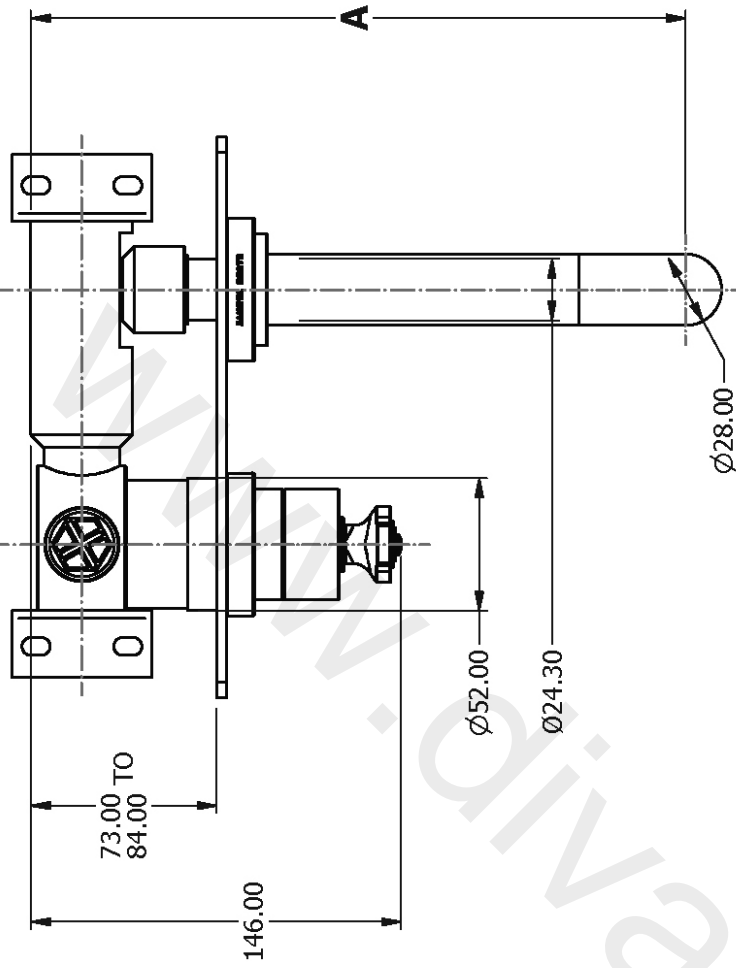


- Available Options -

 V7K20-1LF-LH	 V7K20-1LF-RH	 V7K20-1LK-LH	 V7K20-1LK-RH
 V7K35-1LF-LH	 V7K35-1LF-RH	 V7K35-1LK-LH	 V7K35-1LK-RH

Dimension Key

V7K20-LF



SPOUT LENGTHS

V7K20-1: A = 217mm to 228mm
B = 144mm

V7K20-2: A = 257mm to 268mm
B = 184mm

V7K20-3: A = 287mm to 298mm
B = 214mm

SEE INSTALLATION KIT DRAWING
UK & EUR - V720 - IS - XX
US - V720 - AIS - XX

Dimension Key

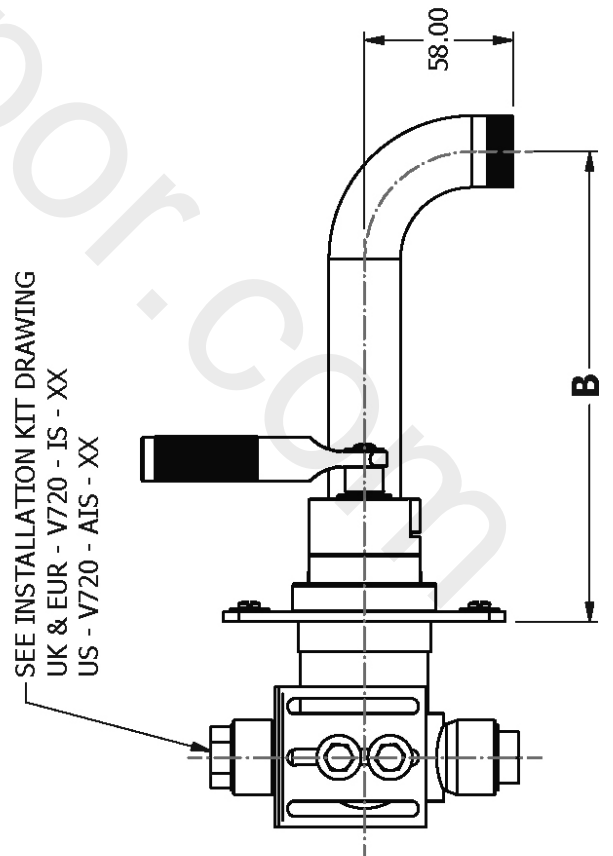
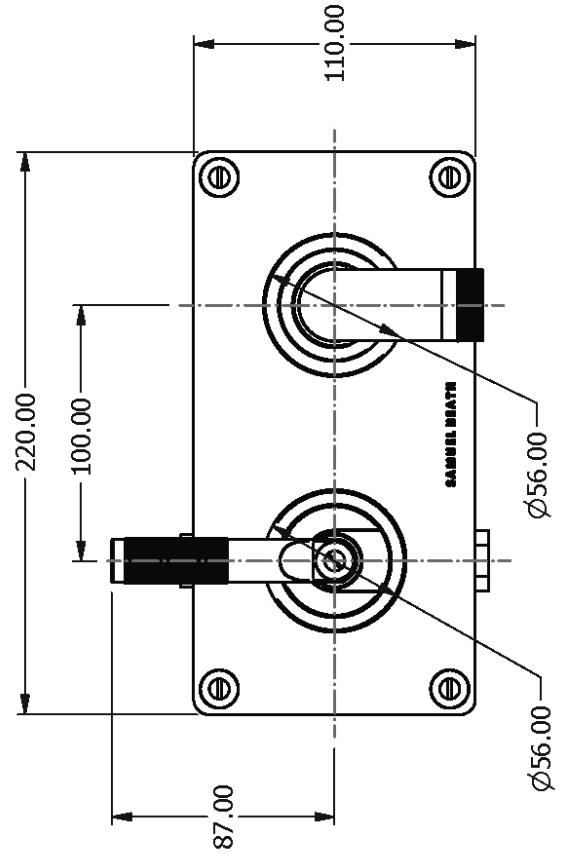
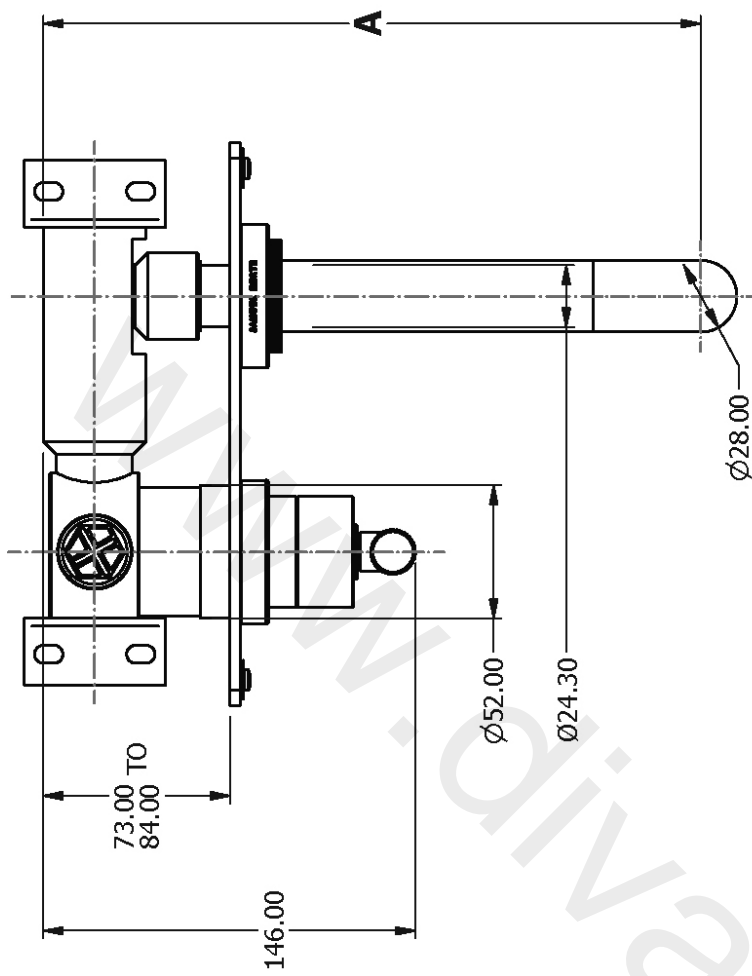
V7K20-LK

SPOUT LENGTHS

V7K20-1: A = 217mm to 228mm
B = 144mm

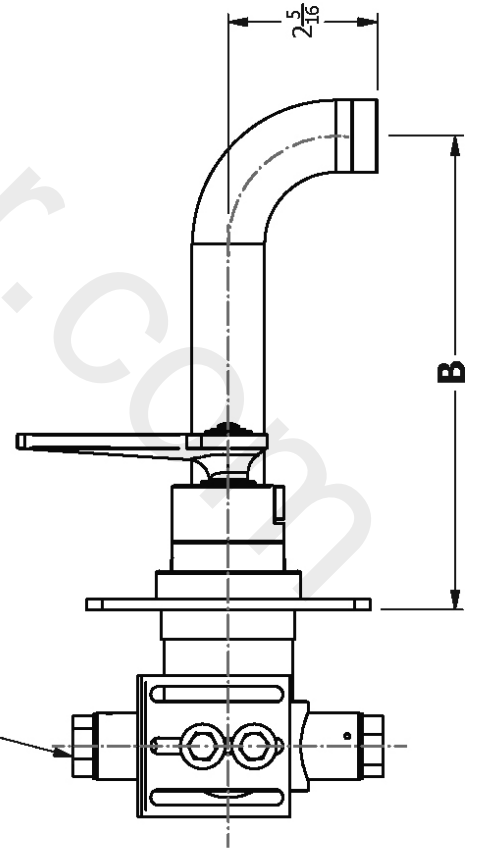
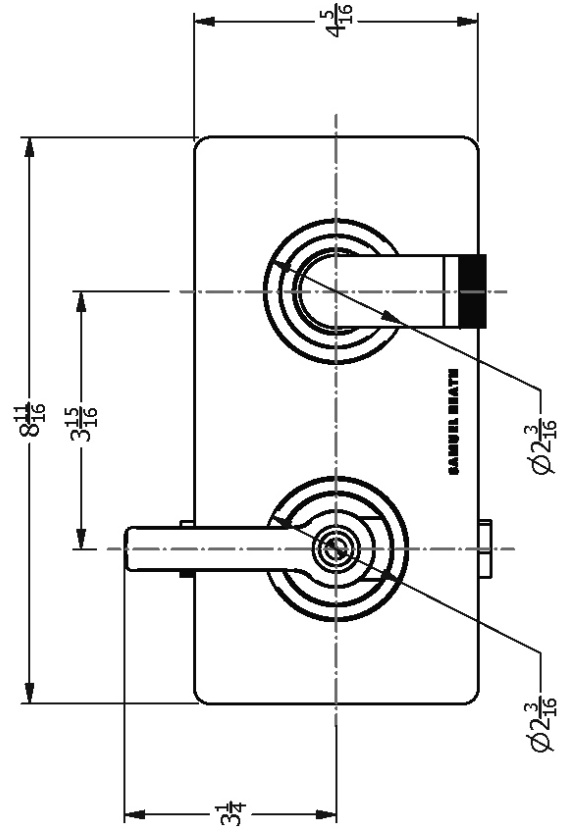
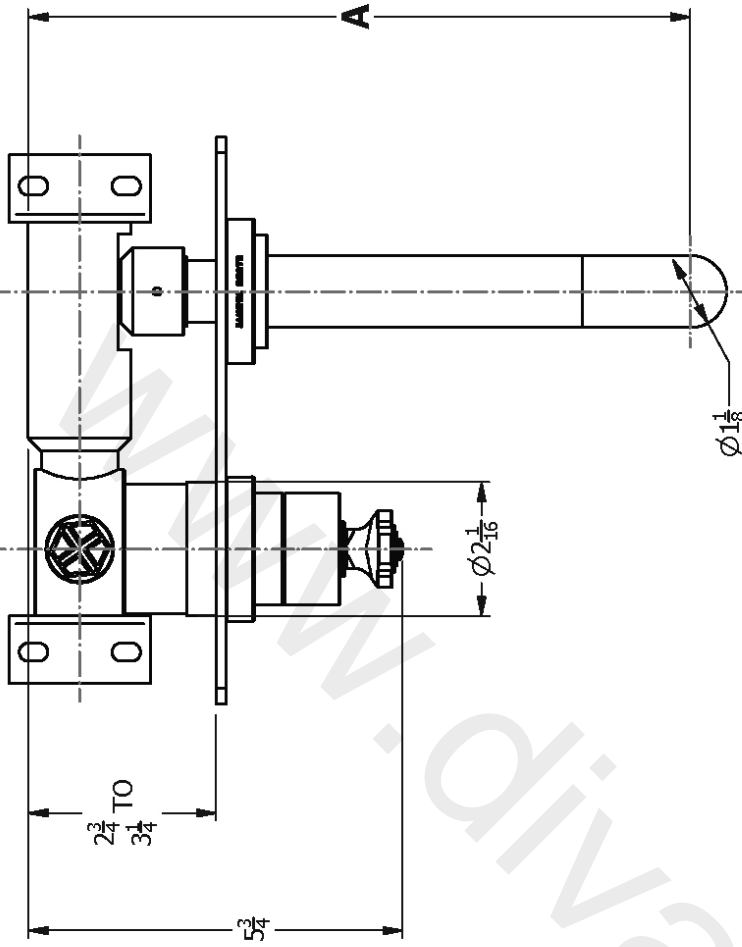
V7K20-2: A = 257mm to 268mm
B = 184mm

V7K20-3: A = 287mm to 298mm
B = 214mm



Dimension Key

V7KA20-LF



SEE INSTALLATION KIT DRAWING
 UK & EUR - V720 - IS - XX
 US - V720 - AIS - XX

SPOUT LENGTHS

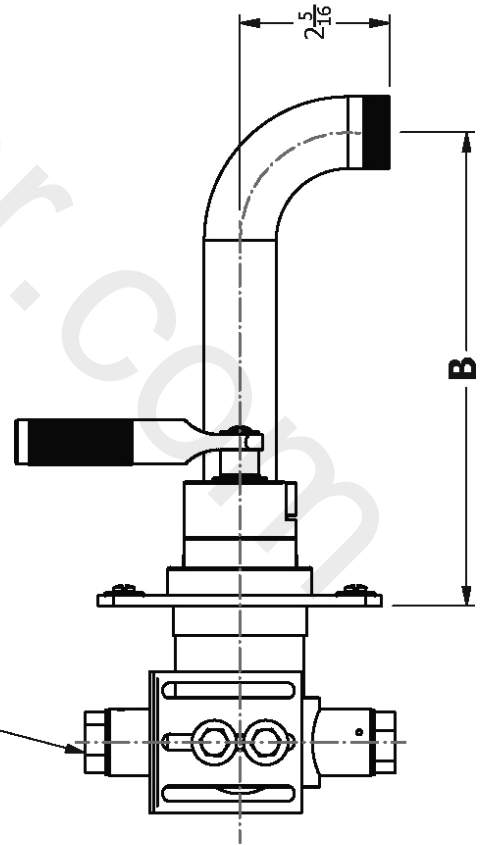
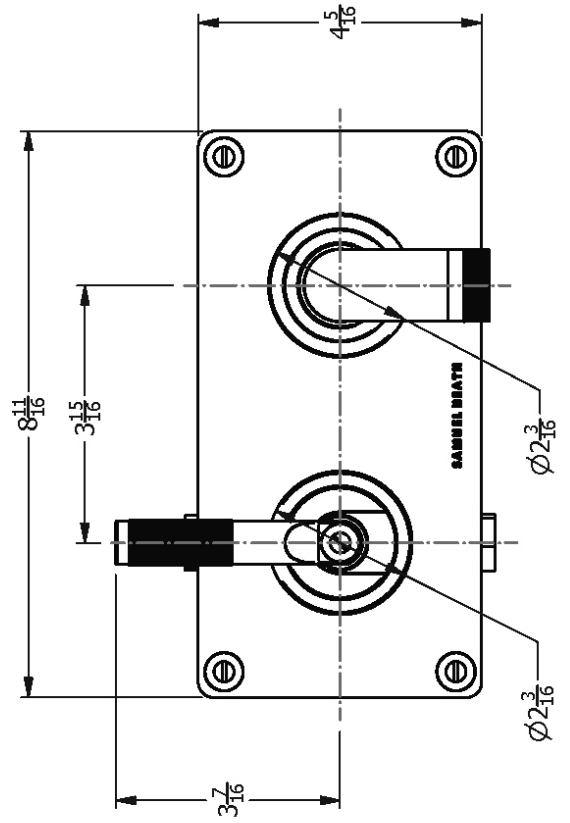
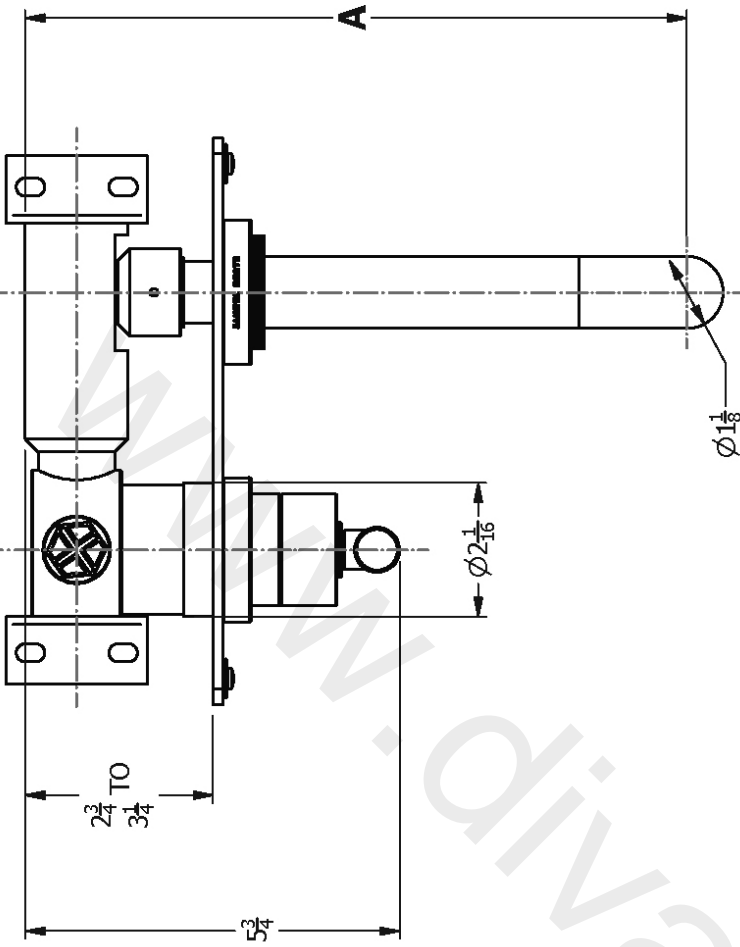
V7KA20-1: A = $8\frac{1}{2}$ to 9
 B = $5\frac{11}{16}$

V7KA20-2: A = 10 to $10\frac{1}{2}$
 B = $7\frac{1}{4}$

V7KA20-3: A = $11\frac{1}{4}$ to $11\frac{3}{4}$
 B = $8\frac{7}{16}$

Dimension Key

V7KA20-LK



SEE INSTALLATION KIT DRAWING
 UK & EUR - V720 - IS - XX
 US - V720 - AIS - XX

SPOUT LENGTHS

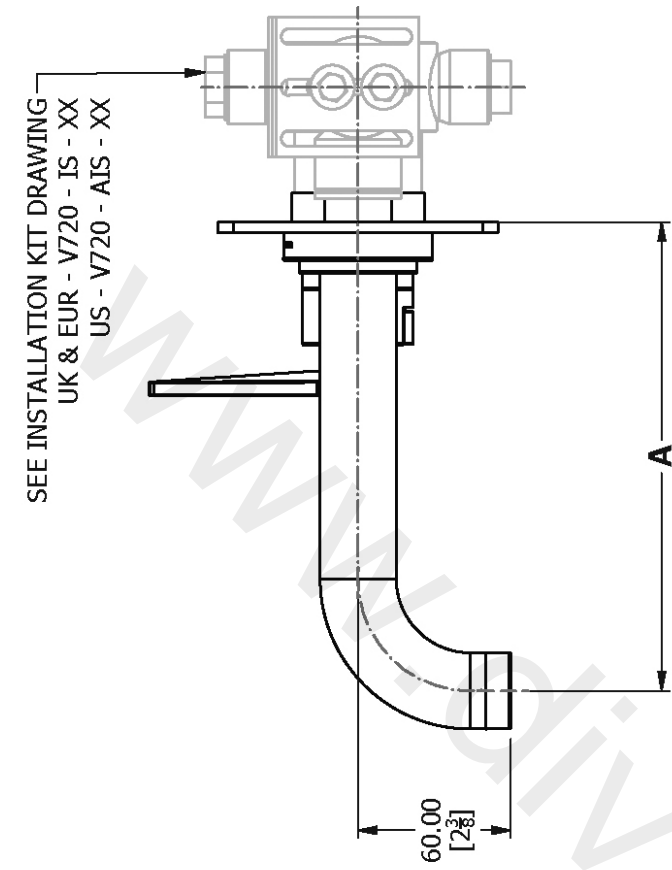
V7KA20-1: A = $8 \frac{1}{2}$ to 9
 B = $5 \frac{11}{16}$

V7KA20-2: A = 10 to $10 \frac{1}{2}$
 B = $7 \frac{1}{4}$

V7KA20-3: A = $11 \frac{1}{4}$ to $11 \frac{3}{4}$
 B = $8 \frac{7}{16}$

Dimension Key

V7K35-LF



V7K35-1LF

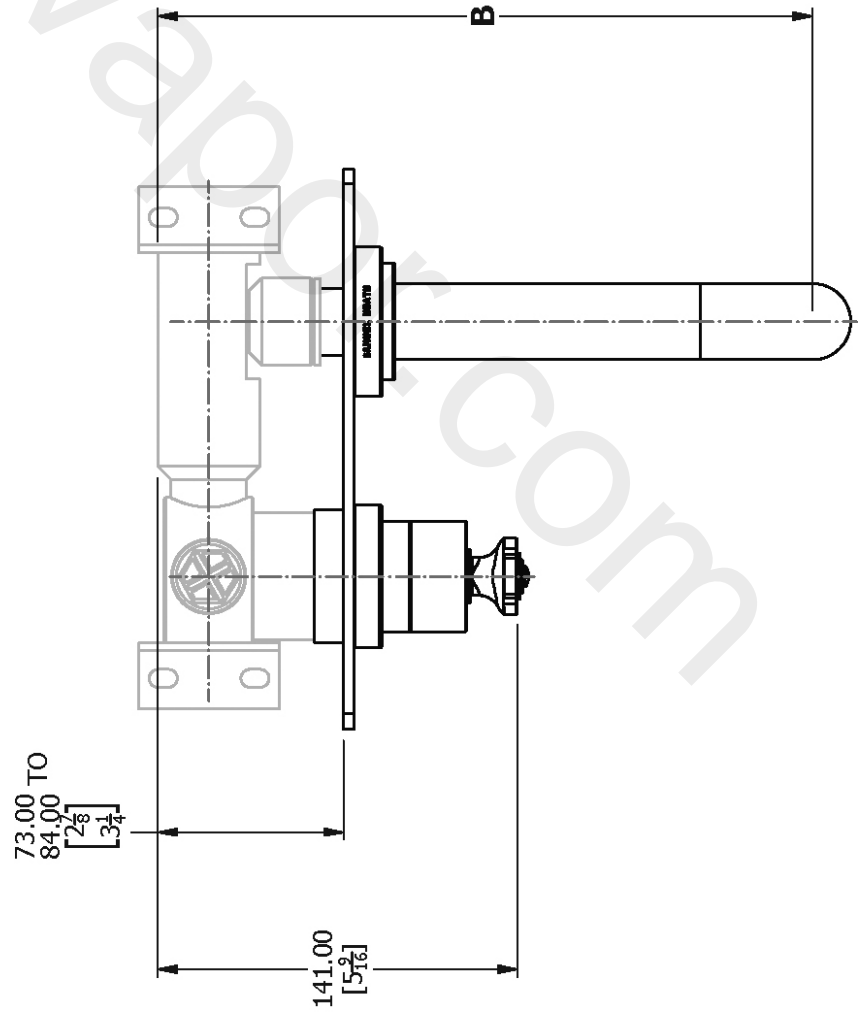
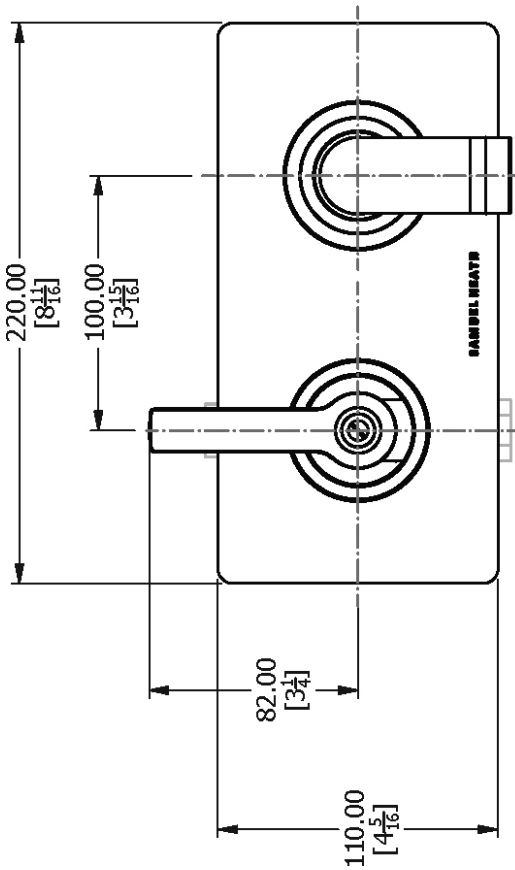
A = 184.00mm [7 $\frac{1}{4}$ "]

B = 268.00mm TO 257.00mm [10 $\frac{1}{2}$ " TO 10 $\frac{1}{8}$ "]

V7K35-2LF

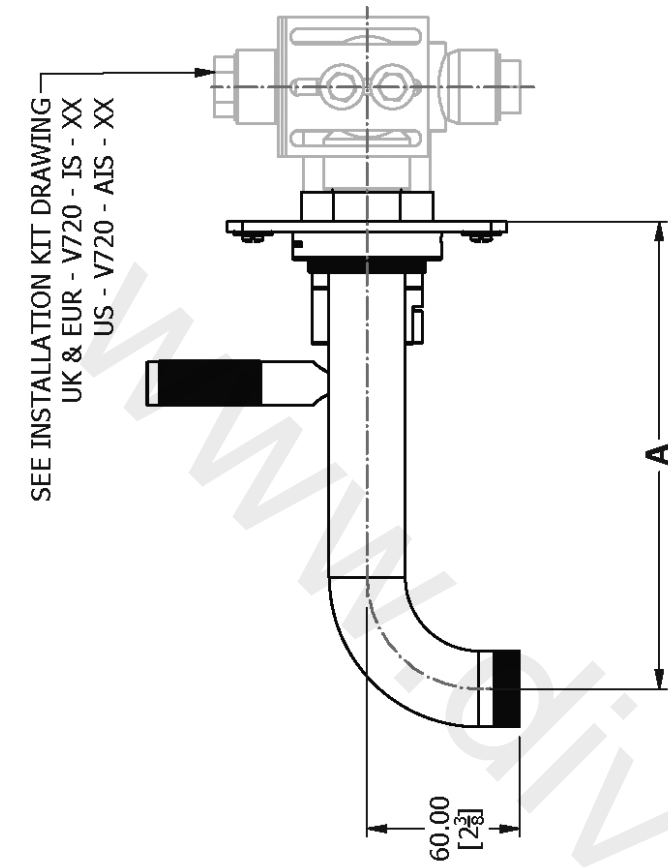
A = 214.00mm [8 $\frac{7}{16}$ "]

B = 287.00mm TO 298.00mm [11 $\frac{1}{4}$ " TO 11 $\frac{3}{4}$ "]



Dimension Key

V7K35-LK



V7K35-1LK

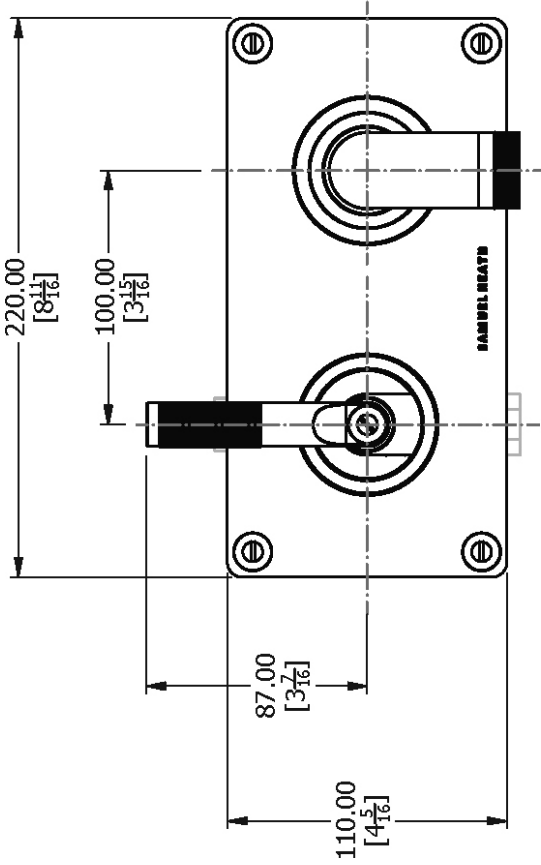
A = 184.00mm [7 ¹/₄"]

B = 257.00mm TO 268.00mm [10 ¹/₂" TO 10 ⁵/₈"]

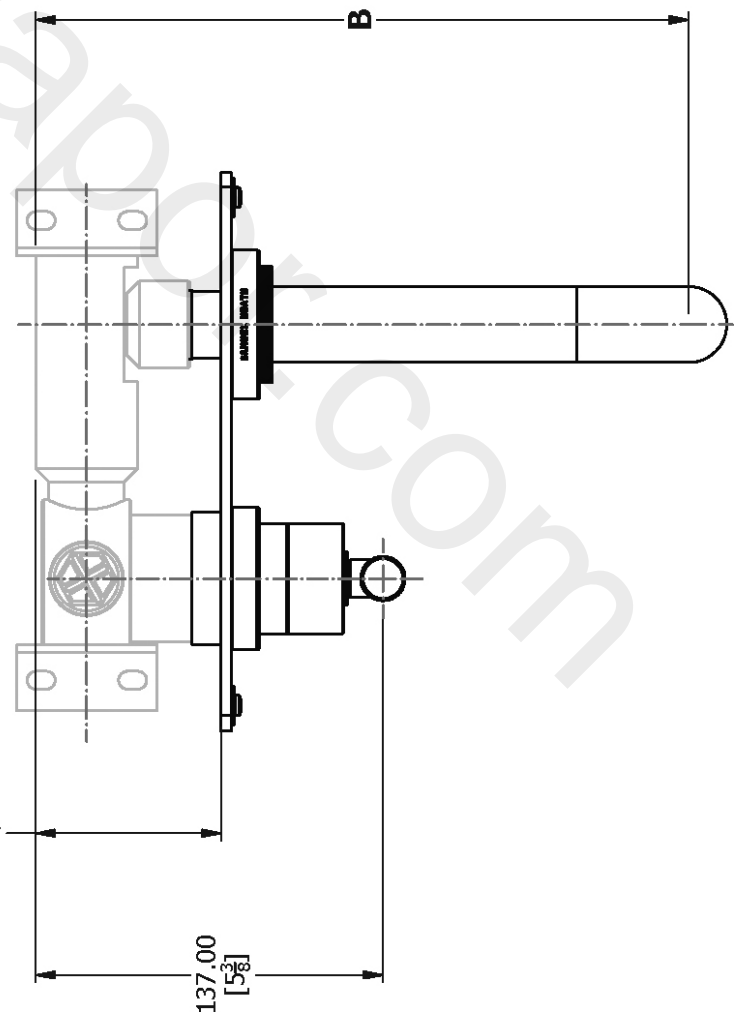
V7K35-2LK

A = 214.00mm [8 ⁷/₁₆"]

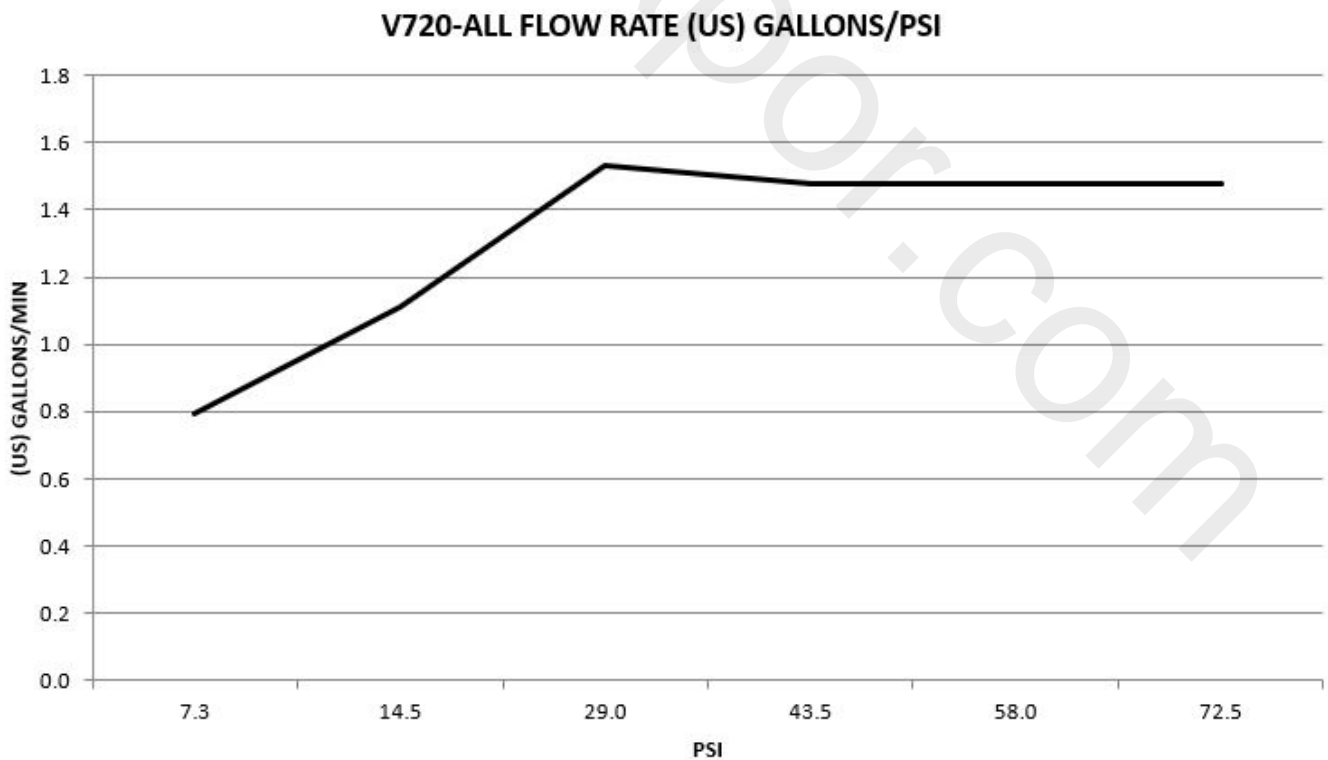
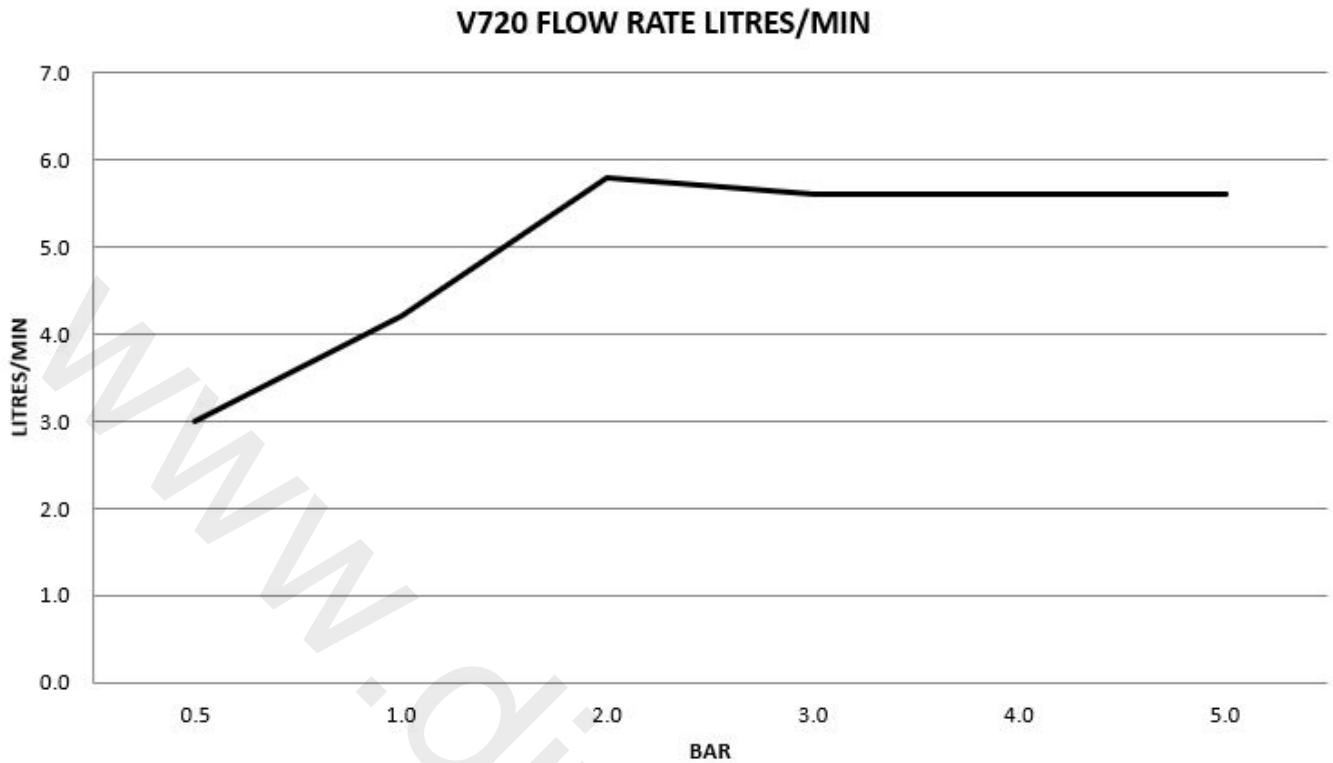
B = 287.00mm TO 298.00mm [11 ¹/₄" TO 11 ³/₄"]



73.00 TO
 84.00 [2⁷/₈"]
 [3¹/₄"]

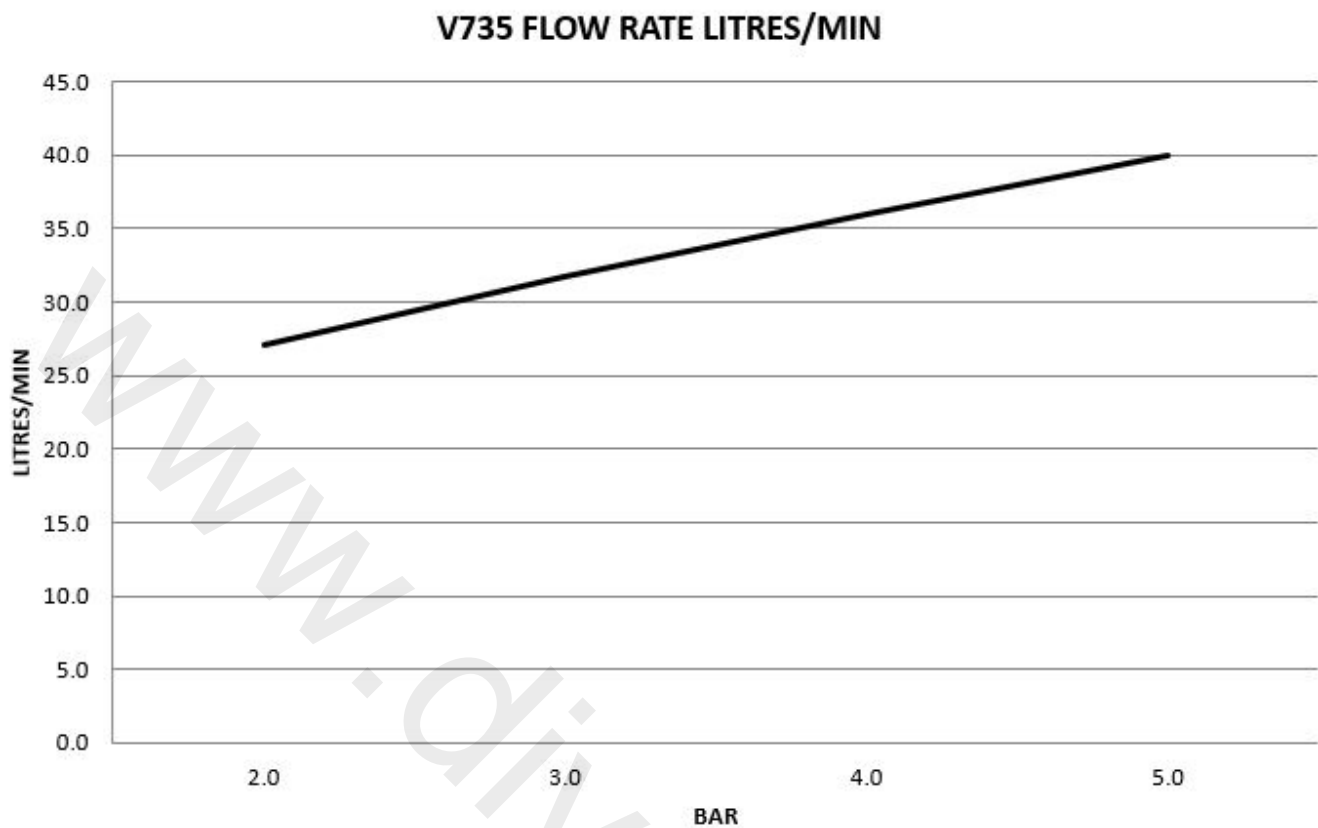


Flow Rates



The flow rate data provided in this document is indicative of each product and is given in an open outlet condition. Installation design, external connections and fittings not supplied may affect the data provided.

Flow Rates

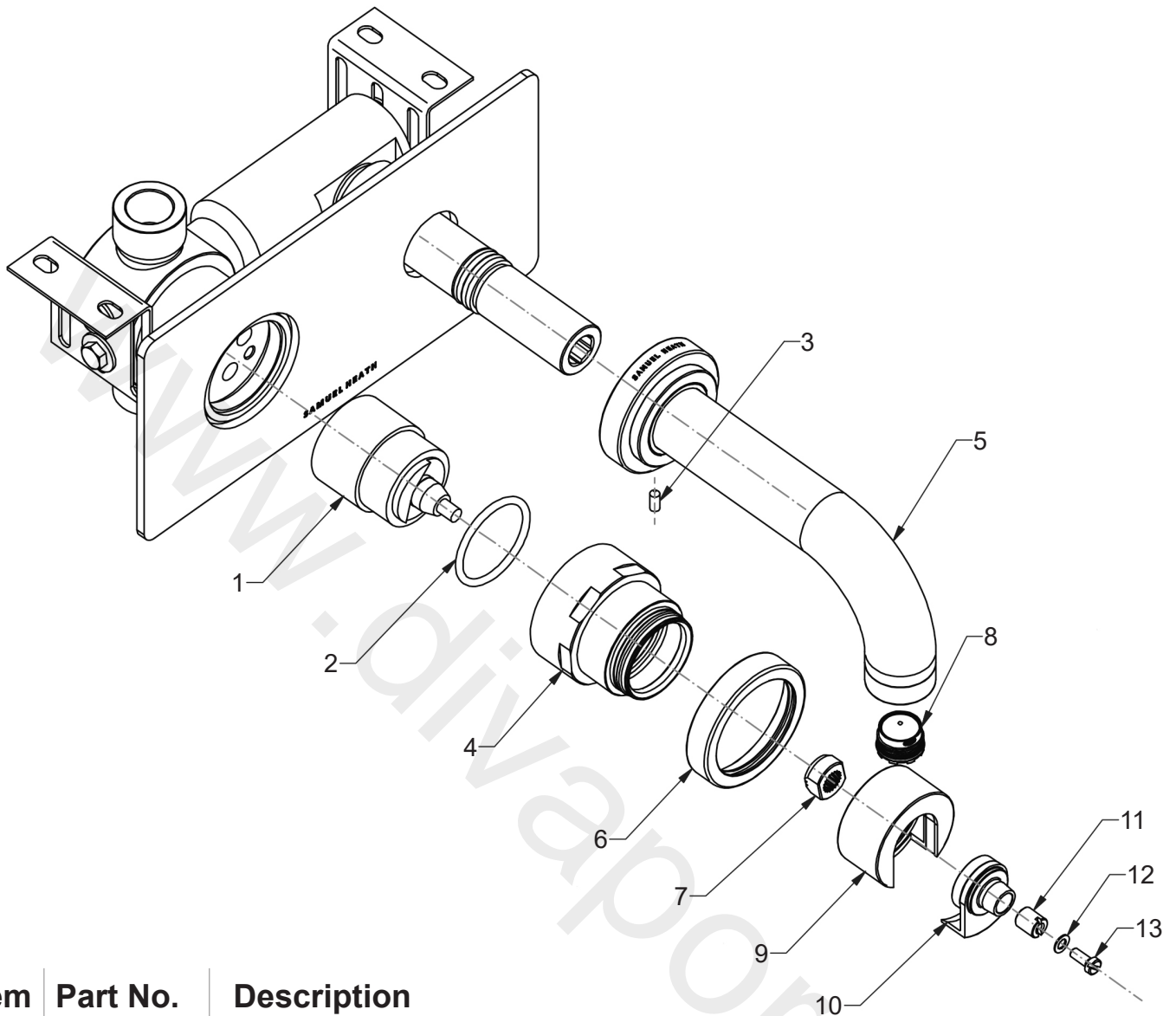


This product has a Minimum of 3.0 Bar

The flow rate data provided in this document is indicative of each product and is given in an open outlet condition. Installation design, external connections and fittings not supplied may affect the data provided.

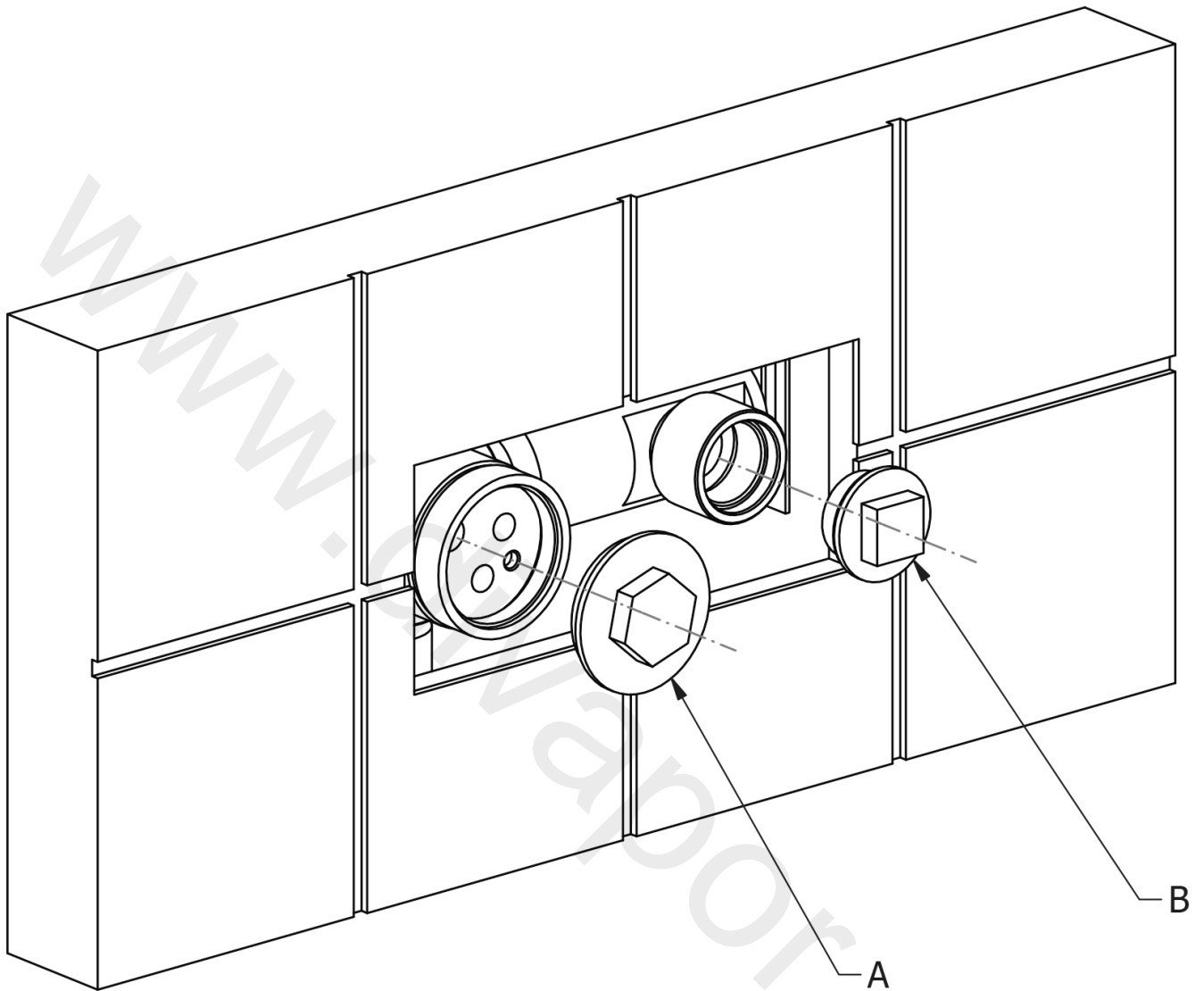
Spares Information

V720 / V720-ALL / V735



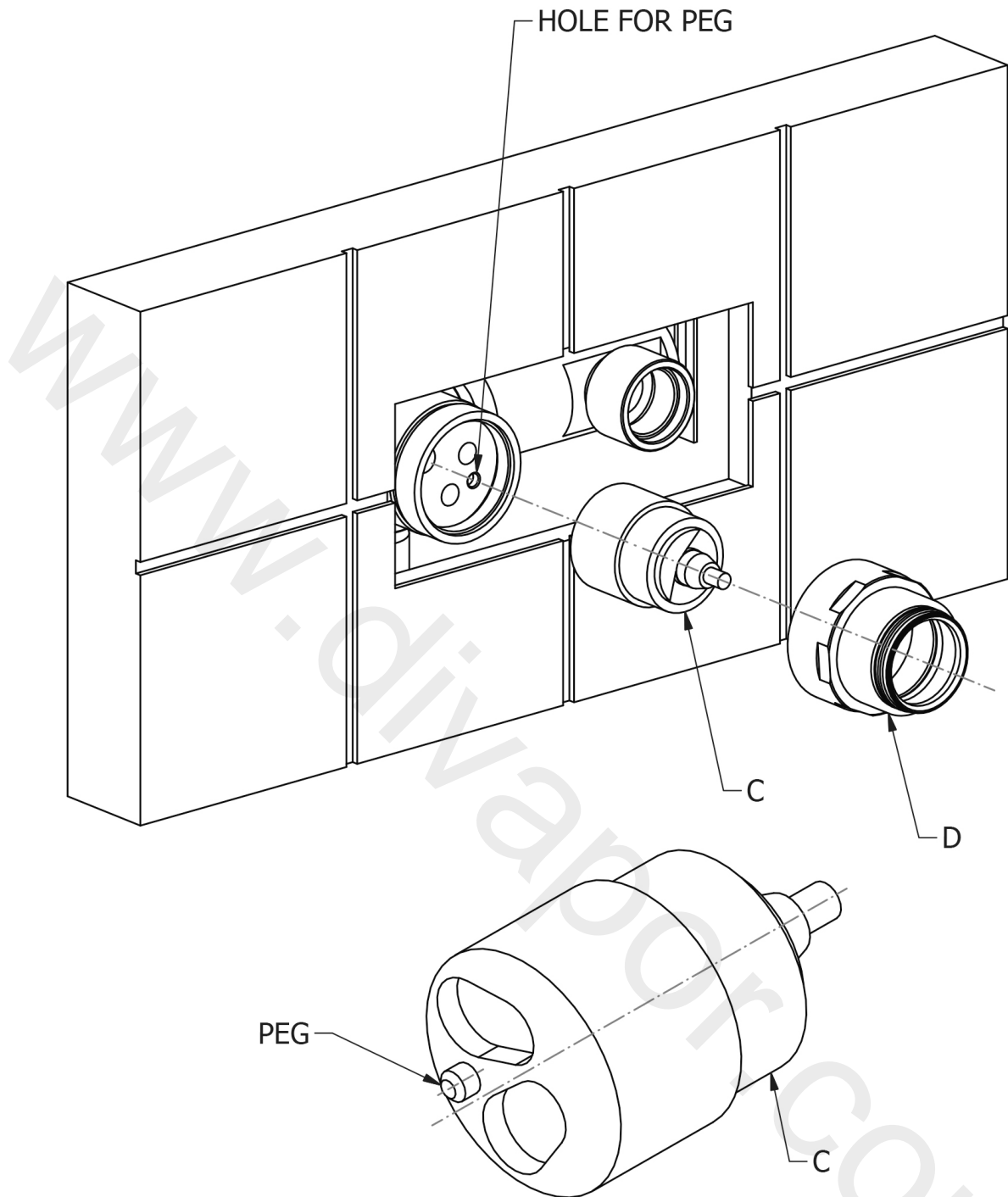
Item	Part No.	Description
1	VS56037	Cartridge
2	-	O-Ring
3	-	Grub Screw
4	-	Locking Nut
5	-	Spout Assembly
6	-	Escutcheon
7	-	Spline Nut
8	-	Aerator
9	-	Rotating Collar
10	-	Lever
11	-	Spindle Lock Nut
12	-	Washer
13	-	Screw

Installation



1. Remove blanking plugs (A) & (B)

Installation

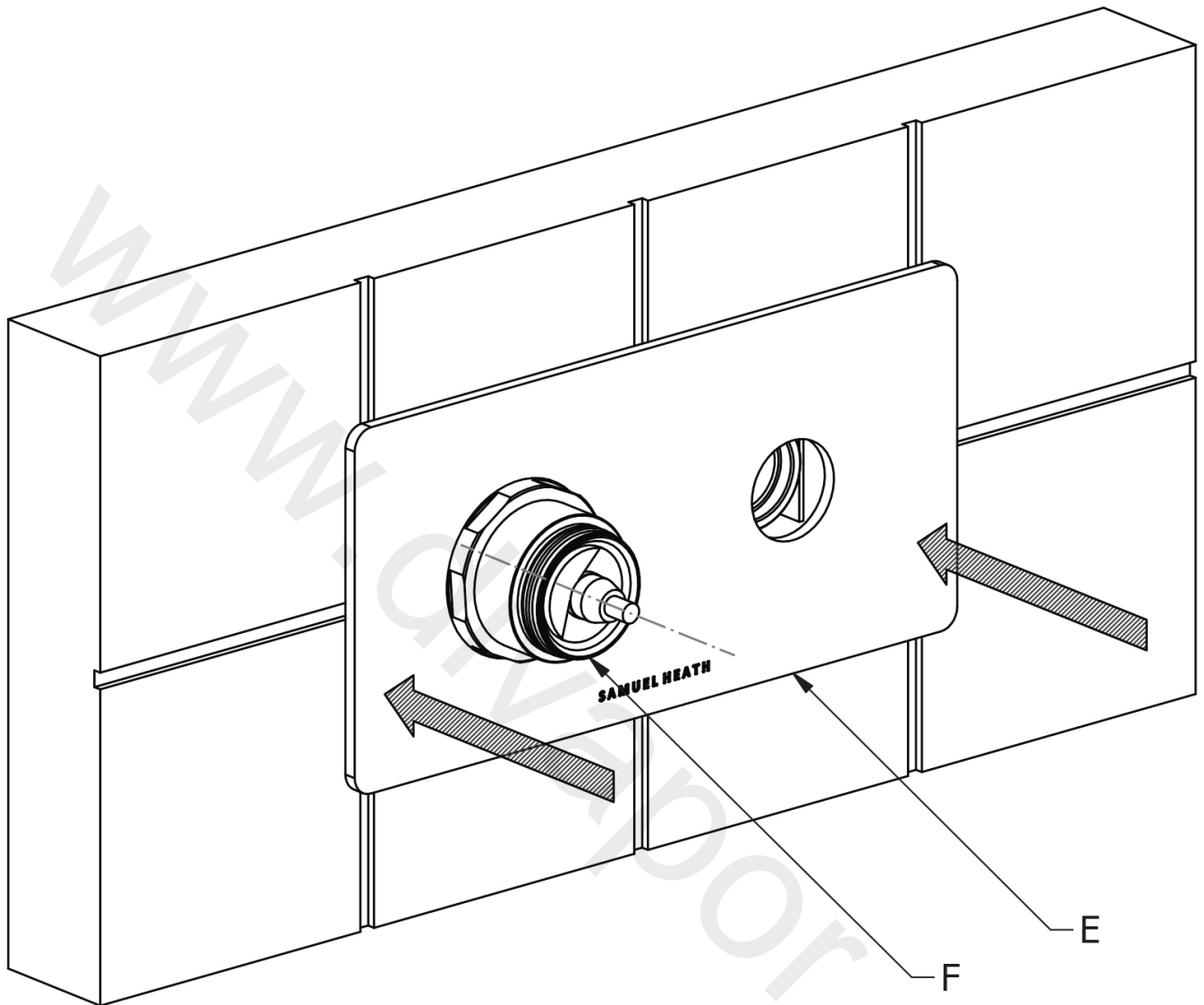


2. Insert cartridge (C) into installation kit, ensuring locator peg on cartridge (C) slots into peg hole on the installation kit.

3. Secure cartridge (C) into the installation kit using locking collar (D).

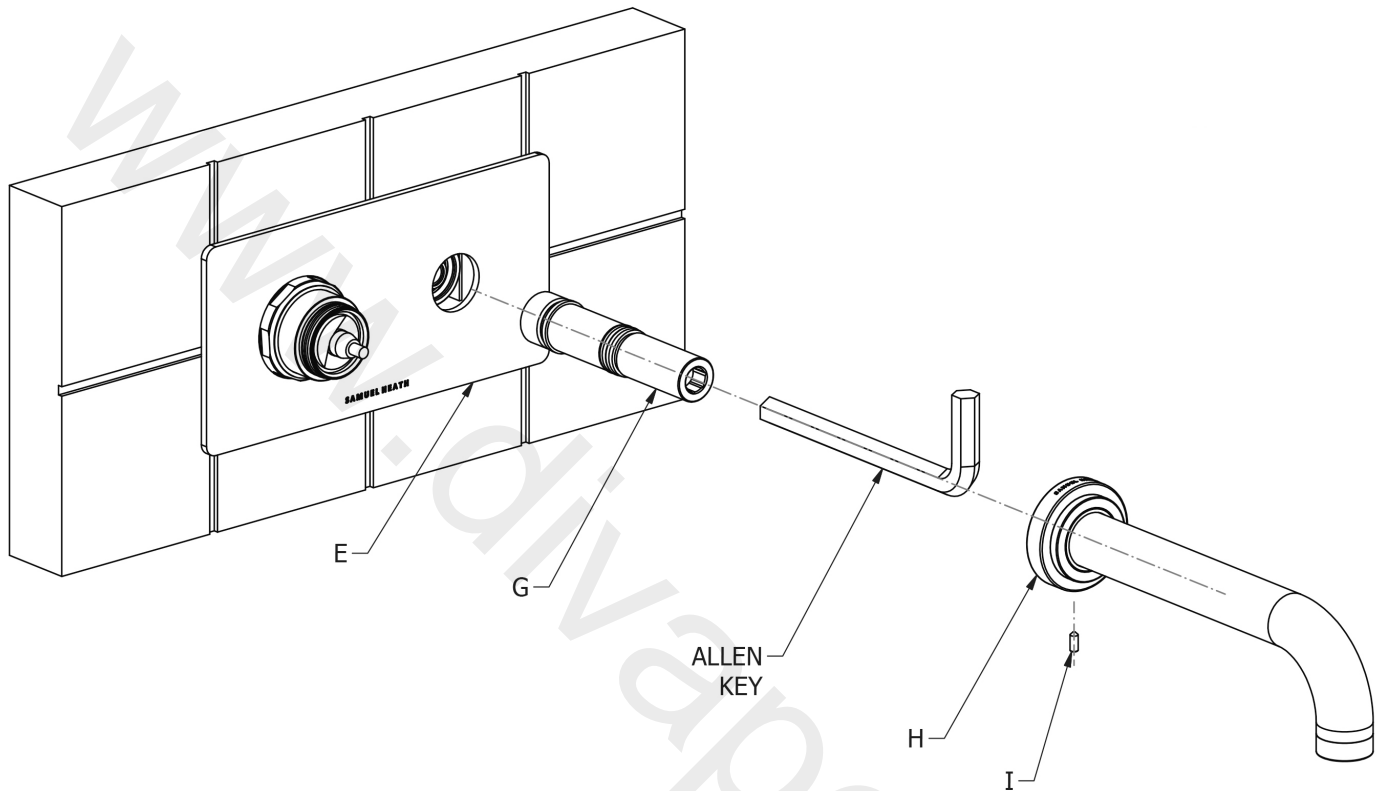
Note: Locking collar (D) must be tightened down to 10Nm, undone slightly, then re-tightened to 6.5Nm.

Installation



4. Apply silicone sealant to the finished surface before assembling backplate (E)
5. Push backplate (E) over locking collar (F) and against the finished surface as shown.
6. Align backplate (E) and secure in place.

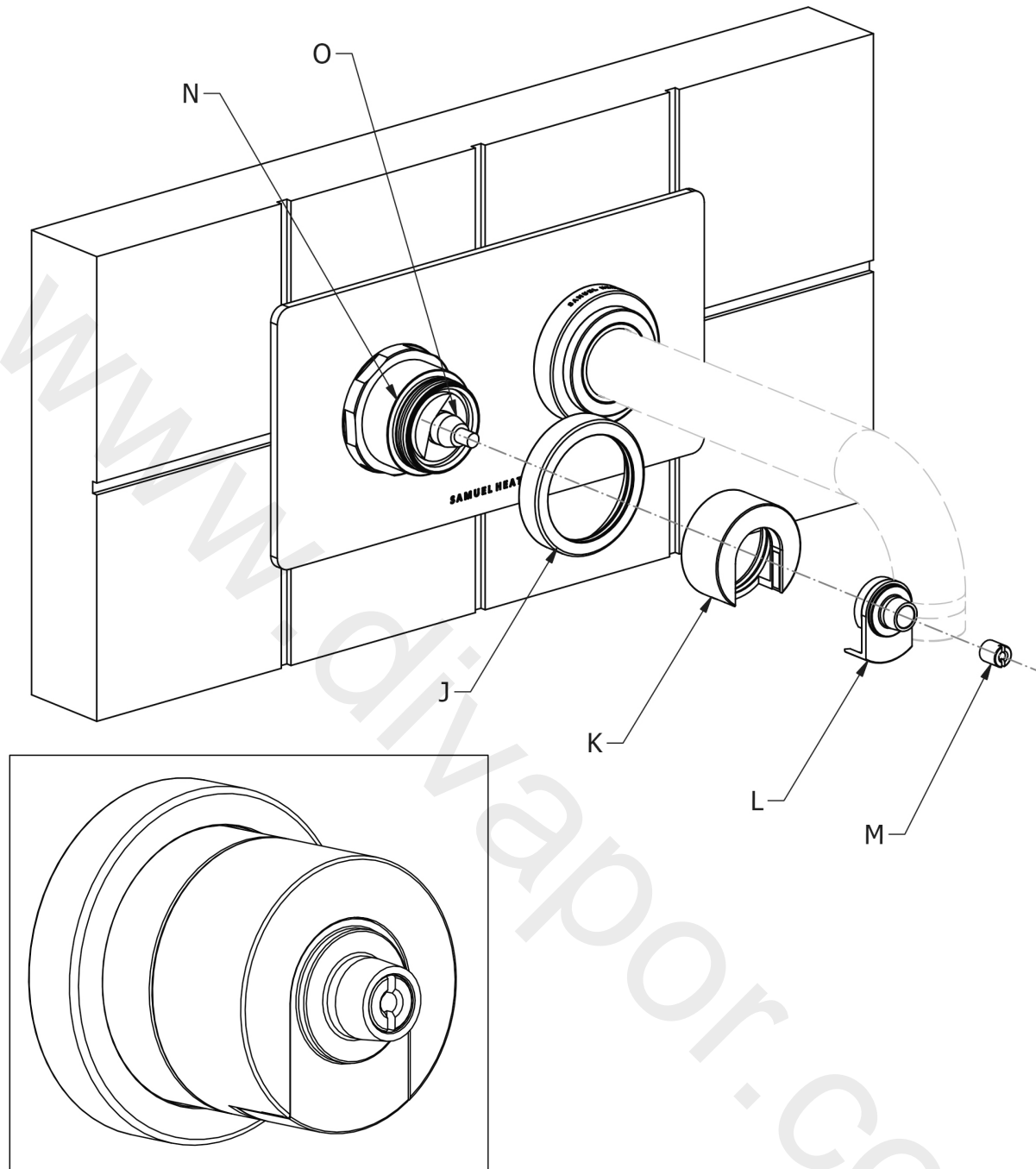
Installation



7. Push spout tail (G) through backplate (E) and screw into the installation kit behind the wall using a 12mm Allen key (Not Provided).

8. Push spout assembly (H) onto spout tail (G), align to desired angle and secure it to spout tail (G) using set screw (I).

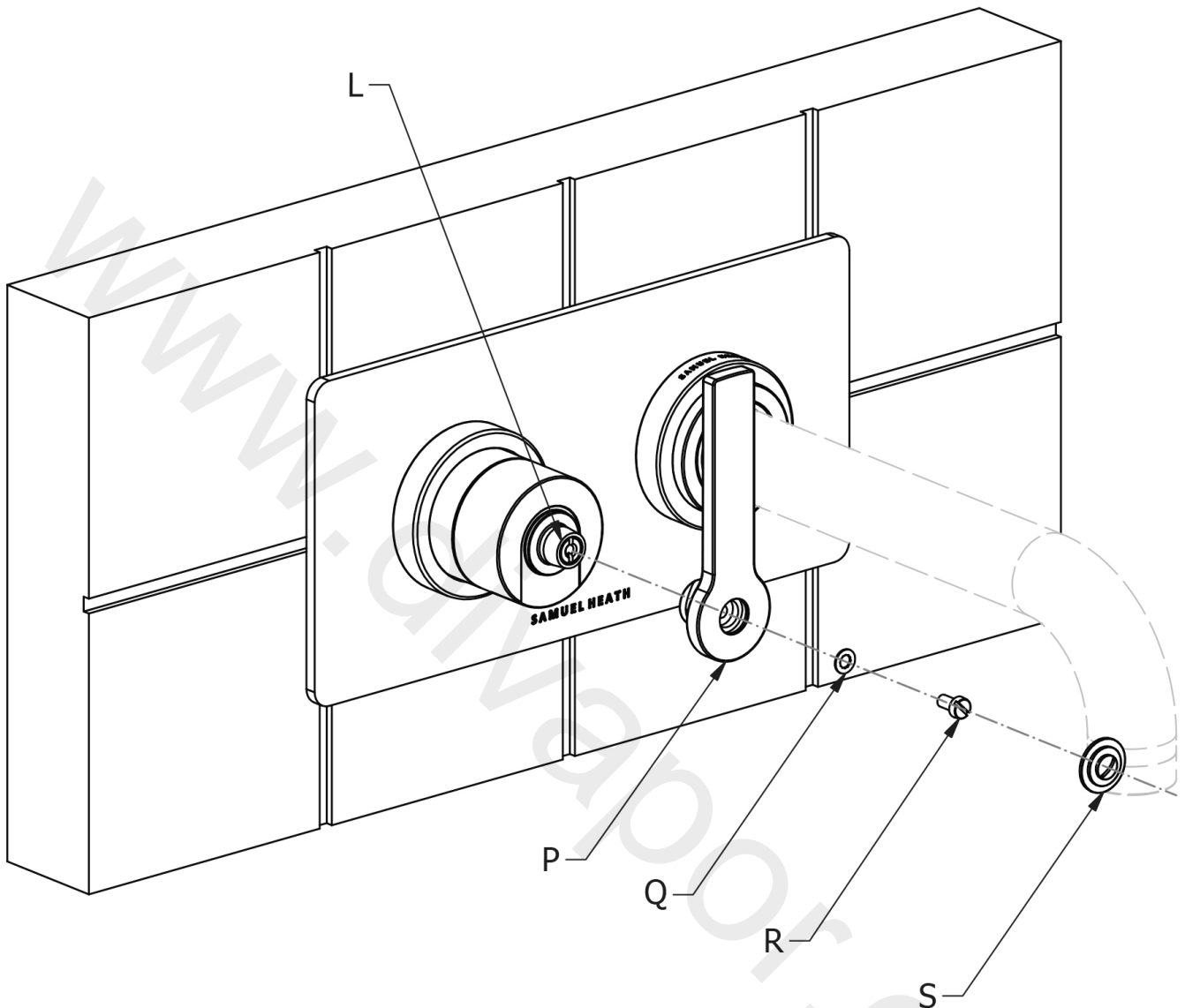
Installation



SIDE VALVE ASSEMBLY

9. Push escutcheon cover (J) onto locking collar (N) to conceal flats.
10. Push rotating collar (K) onto locking collar (N), this will require force in order for it to snap into place.
11. Push lever head (L) through rotating collar (K) and onto the spline on cartridge (O).
12. Push spindle lock nut (M) into lever head (L) and screw onto thread of cartridge (O). This should then secure the side valve assembly, as shown.

Installation



13. Push lever (P) onto the taper of lever head (L).

14. Place anti-rotational washer (Q) inside lever (P) and then secure lever (P) to lever head (L) using screw (R).

Note: DO NOT DISCARD ANTI-ROTATIONAL WASHER (M)

15. Push indice cap (S) into lever (P) to conceal screw (R).

IMPORTANT NOTES

1. Installation should be carried out by a competent engineer, in accordance with water regulations.
2. Before installation, ensure supply pipes are flushed clean. Debris or loose particles will affect the efficiency of the ceramic disc cartridge.
3. For mixer taps, it is recommended that hot & cold pressures are equally balanced.
4. To help maintain the high quality finish, please clean with a soft damp cloth. Do not use abrasive polish or cleaners. Stains may be removed using undiluted washing up liquid.
5. Ceramic cartridges in hard water areas. To prolong the lifespan and reduce servicing periods of your Samuel Heath tap we recommend that a suitable water softener be fitted. Consult your installer/designer for details.
6. Please note that as with all tap and shower ware it will be necessary from time to time for the products to be serviced, this should be carried out by a qualified Plumbing Engineer.

NOTES IMPORTANTES

1. L'installation doit être faite par un ingénieur qualifié, selon les règlements du Service Eau.
2. Avant l'installation, il faut s'assurer que les tuyaux d'approvisionnement sont complètement purgés. Les déchets flottants auront un effet détrimentaire sur l'efficacité de la cartouche céramique.
3. Il est recommandé que les pressions de l'eau chaude et eau froide des mitigeurs et mélangeurs soient maintenues à un niveau égal.
4. Pour conserver la finition de haute qualité, nettoyer avec un chiffon doux et humide. N'employer jamais de la cire et des produits abrasifs. Les tâches peuvent être enlevées à l'aide de liquide vaisselle pur.
5. Cartouches en céramique dans les régions à eau calcaire. Pour prolonger la durée et réduire l'entretien de votre robinetterie Samuel Heath, nous recommandons d'utiliser un adoucisseur d'eau convenable. Veuillez consulter votre installateur/fournisseur pour plus de renseignements.
6. Veuillez noter qu'un entretien sera nécessaire de temps en temps et doit être effectué par un installateur qualifié.

WICHTIGE HINWEISE

1. Installation sollte durch einen kompetenten Fachmann und nach den üblichen Vorschriften ausgeführt werden.
2. Vor Installation Wasserleitung gründlich durchspülen. Verschmutzung wird die Funktion der Kartusche erheblich einschränken.
3. Für Mischbatterien ist es wichtig, daß Wasser mit gleichem Druck eingeführt wird.
4. Um den optimalen Zustand dieses Produktes zu erhalten, wischen Sie es bitte nur mit einem feuchten, weichen Lappen ab. Auf keinen Fall Scheuermittel verwenden. Flecken lassen sich mit unverdünntem Geschirrspülmittel entfernen.
5. Keramikkartuschen in Hartwasserbereichen. Um die Lebensdauer zu verlängern und Wartungszeiten zu reduzieren empfiehlt Samuel Heath den Einsatz eines geeigneten Wasserenthärter. Fragen Sie Ihren Installateur/Designer um Rat.
6. Bitte merken Sie, dass alle Armaturen ab und zu eine Wartung brauchen. Diese soll durch einen kompetenten Installateur ausgeführt werden.

ATENCION

1. La instalación se debe realizar por un fontanero.
2. Antes de la instalación, deben pulgar las tuberías dejando correr el agua por las tuberías para que arrastren los residuos de montaje/obra, con el motivo de que no afecte la eficacia del cartucho de cerámica.
3. Para grupo baño/ducha se recomienda que las presiones del agua caliente y frío sean equilibradas.
4. Para ayudar a mantener el acabado de este producto, limpiar con un paño húmedo suave. No se debe emplear productos abrasivos de baño. Las manchas se pueden quitar empleando líquido lava-vajillas puro.
5. Cartuchos cerámicos en áreas de aguas duras. Para prolongar su vida útil y reducir los periodos de reparación de su grifo SamuelHeath recomendamos la instalación de un descalcificador de agua. Consulte a su instalador para más detalles.
6. Igual que con todo tipo de grifería y duchas, de vez en cuando será necesario llevar a cabo una revisión al producto; esto debería ser realizado por un fontanero calificado.

ATTENZIONE

1. L'impianto deve essere montato da personale tecnico in conformità alle vigenti leggi.
2. Prima dell'installazione assicurarsi che le tubature dell'acqua siano pulite. Detriti o residui di lavorazione compromettono l'efficienza del cartuccio.
3. Per i gruppi, si raccomanda che le pressioni acqua calda e acqua fredda siano ugualmente bilanciate.
4. Per mantenere la finizione di ottima qualità, pulire con un panno soffice e inumidito.
Non usare creme lucidanti e materiali abrasivi. Le macchie potranno essere tolte usando del detersivo per piatti puro.
5. Come con tutti i tipi di rubinetti e docce, di volta in volta è necessario effettuare una revisione al prodotto; questo dovrebbe essere fatto da un idraulico qualificato.

SAMUEL HEATH

Head Office and Customer Service

Leopold Street
Birmingham
England
B12 0UJ

T: +44 (0)121 766 4200
F: +44 (0)121 772 3334

Info@samuel-heath.com
www.samuel-heath.co.uk

US Customer Service

usa@samuel-heath.com
Federal I.D. No. 58-1504682
www.samuel-heath.com

8-40495
Issue: B