

SAMUEL HEATH

Product Data Sheet

V743 3 Hole Bath / Tub Filler, Wall Mounted



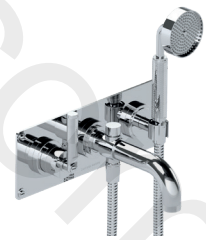
- Available Options -



V743-LF



V743-1LF-NP



V743-LK



V743-1LK-NP



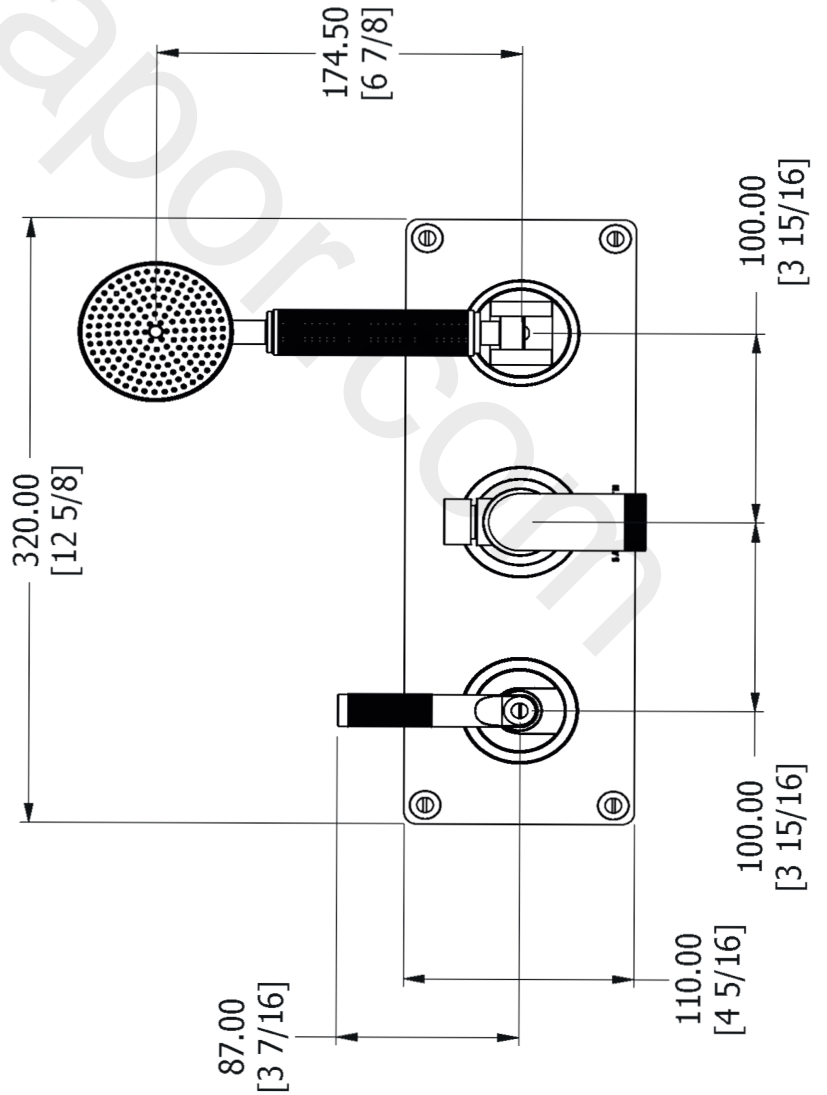
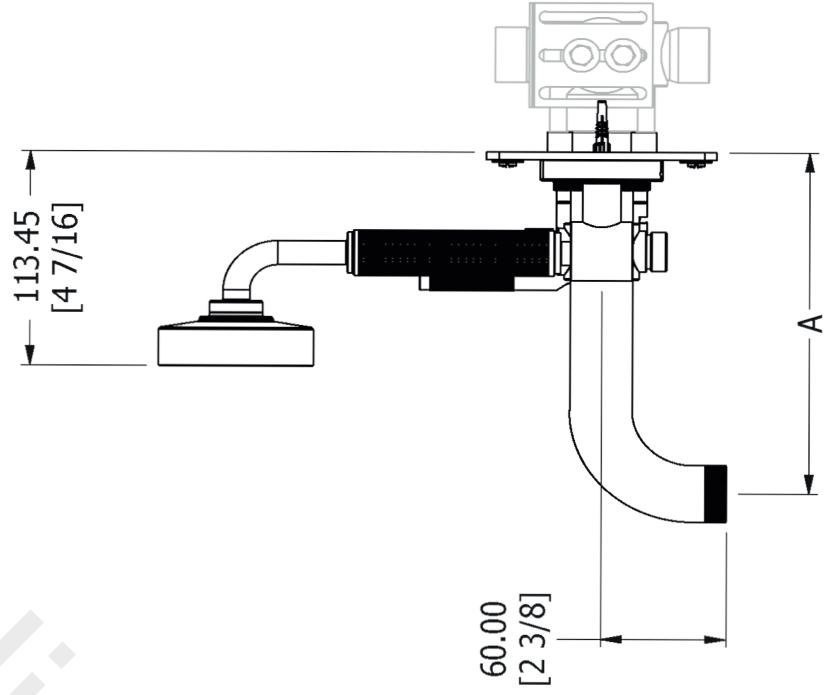
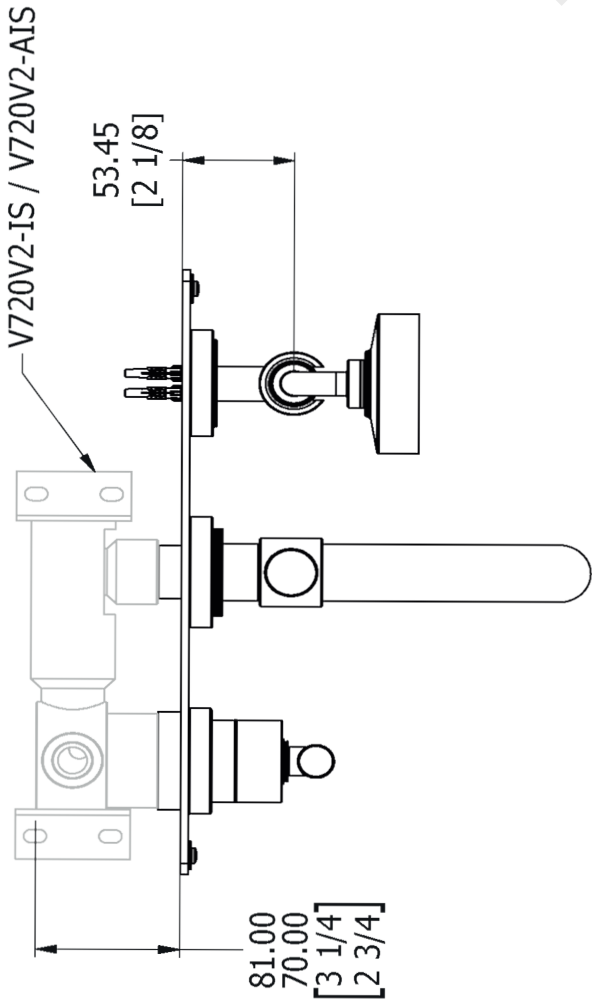
V743-LL



V743-1LL-NP

Dimension Key
V743-LK

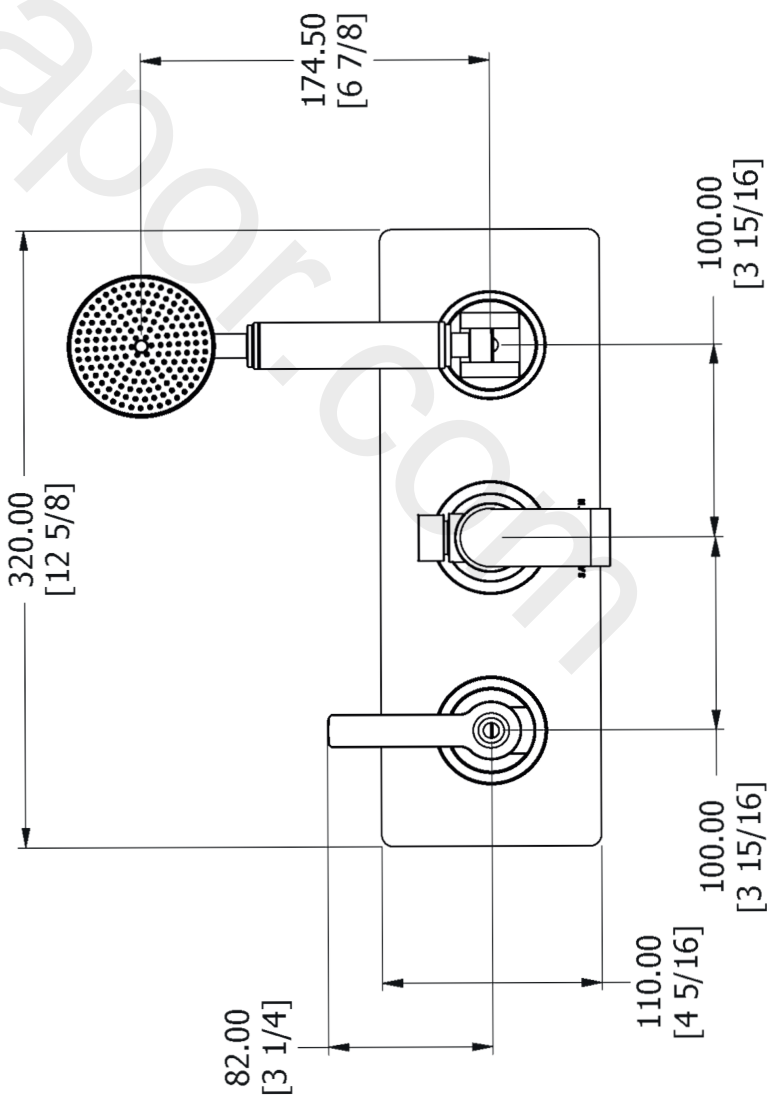
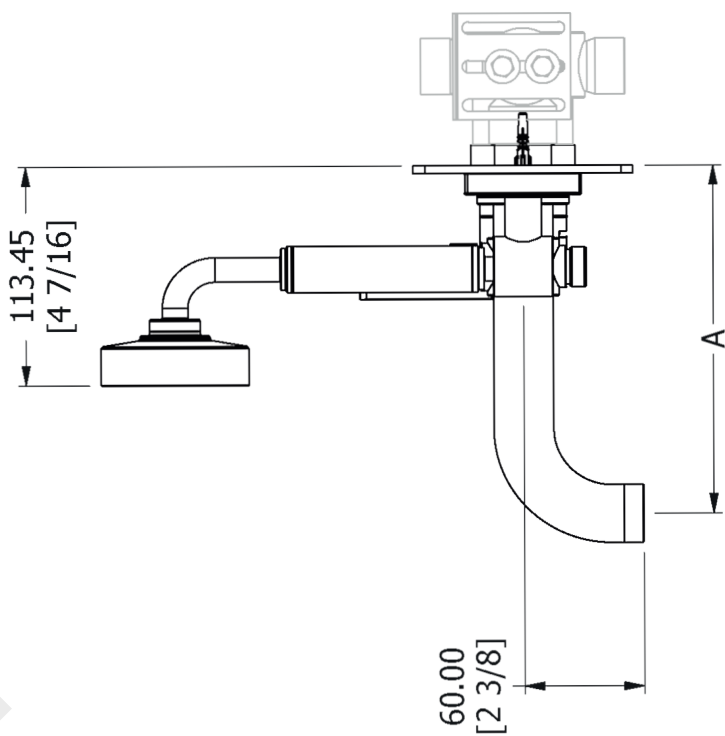
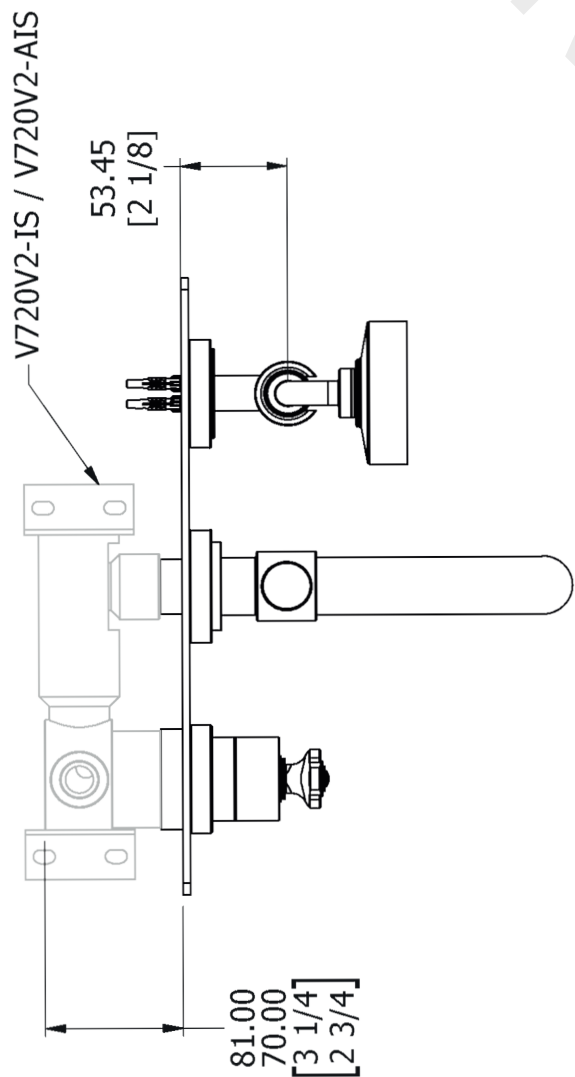
V7K43-1: A = 180mm (7 1/16")
V7K43-2: A = 210mm (8 1/4")



Dimension Key

V743-LF

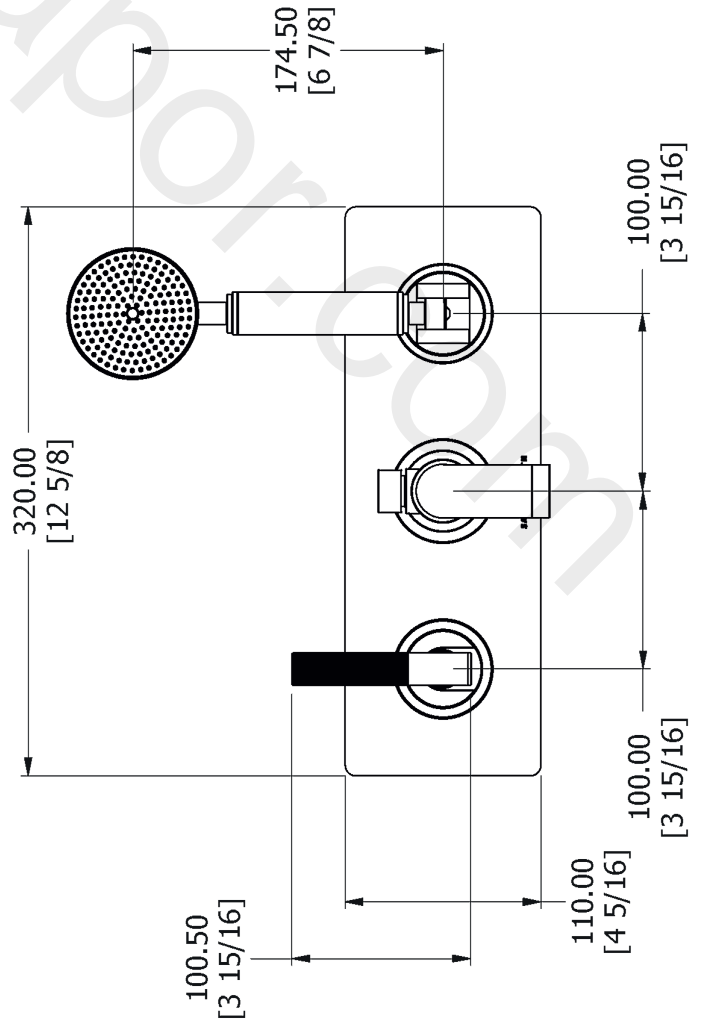
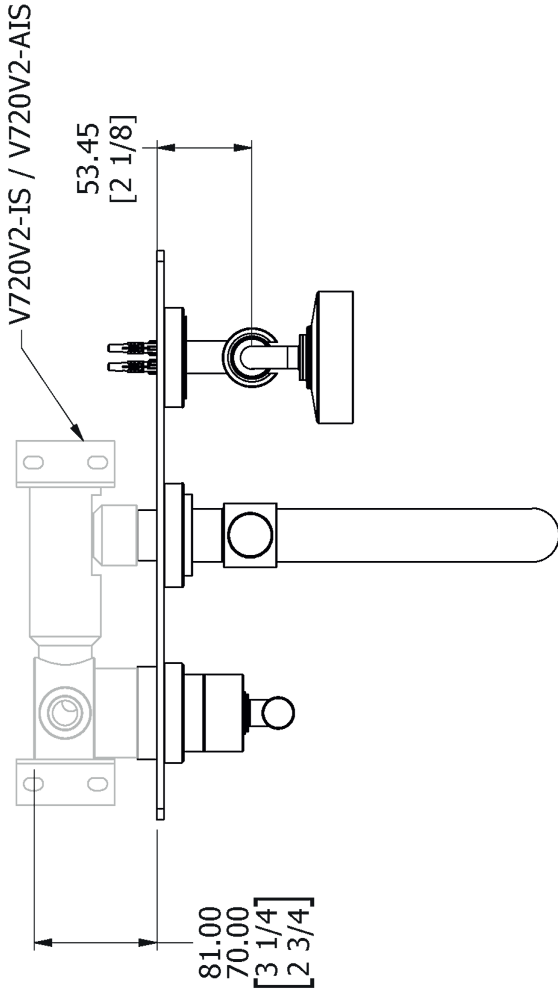
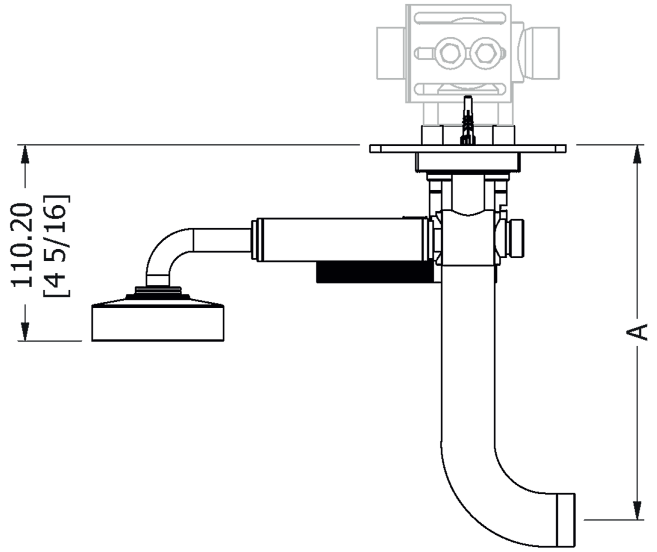
V7K43-1: A = 180mm (7 1/16")
 V7K43-2: A = 210mm (8 1/4")



Dimension Key

V743-LL

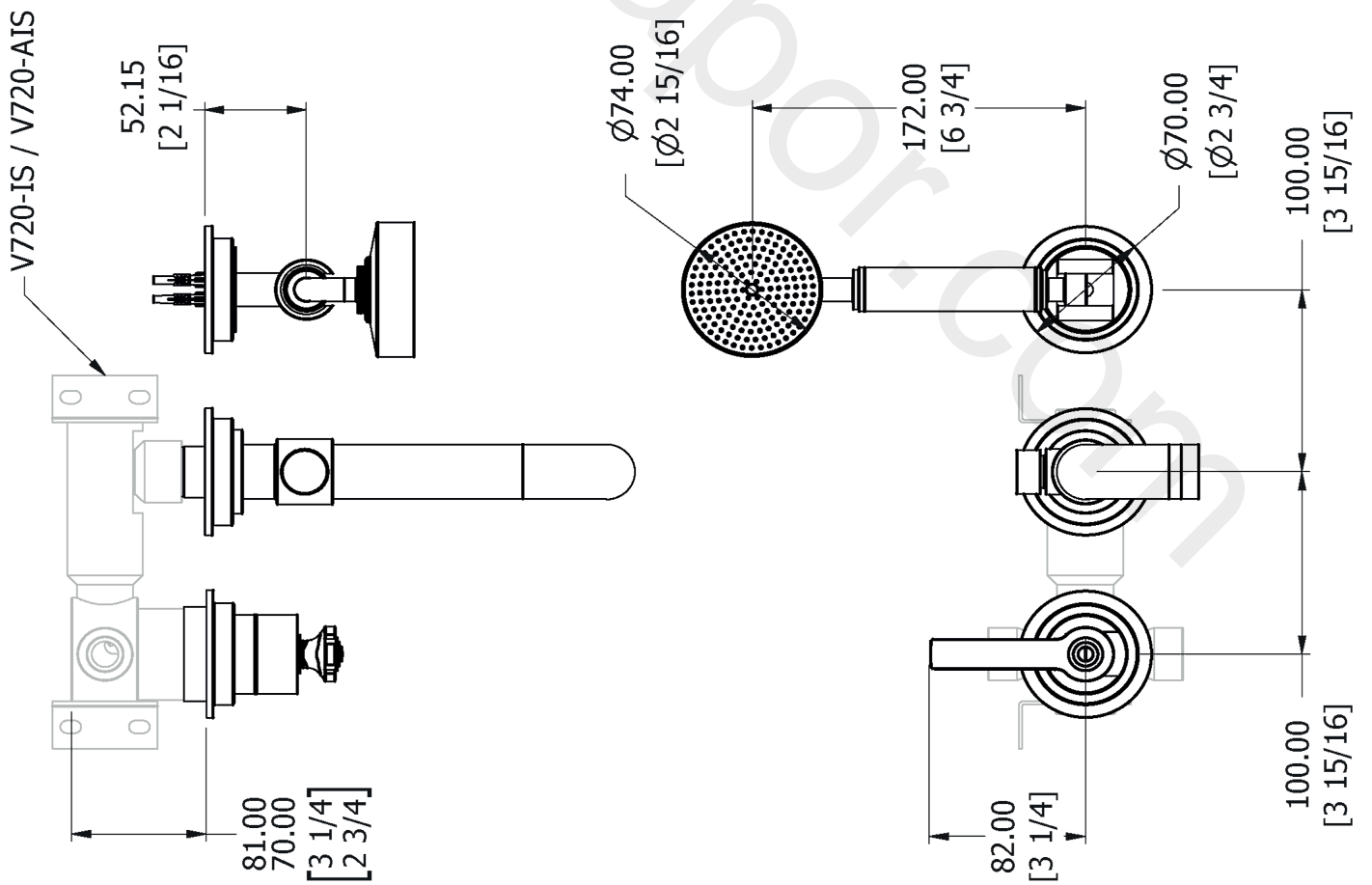
V7K43-1: A = 180mm (7 1/16")
V7K43-2: A = 210mm (8 1/4")



Dimension Key

V743-LF-NP

V7K43-NP-1: A = 180mm (7 1/16")
V7K43-NP-2: A = 210mm (8 1/4")

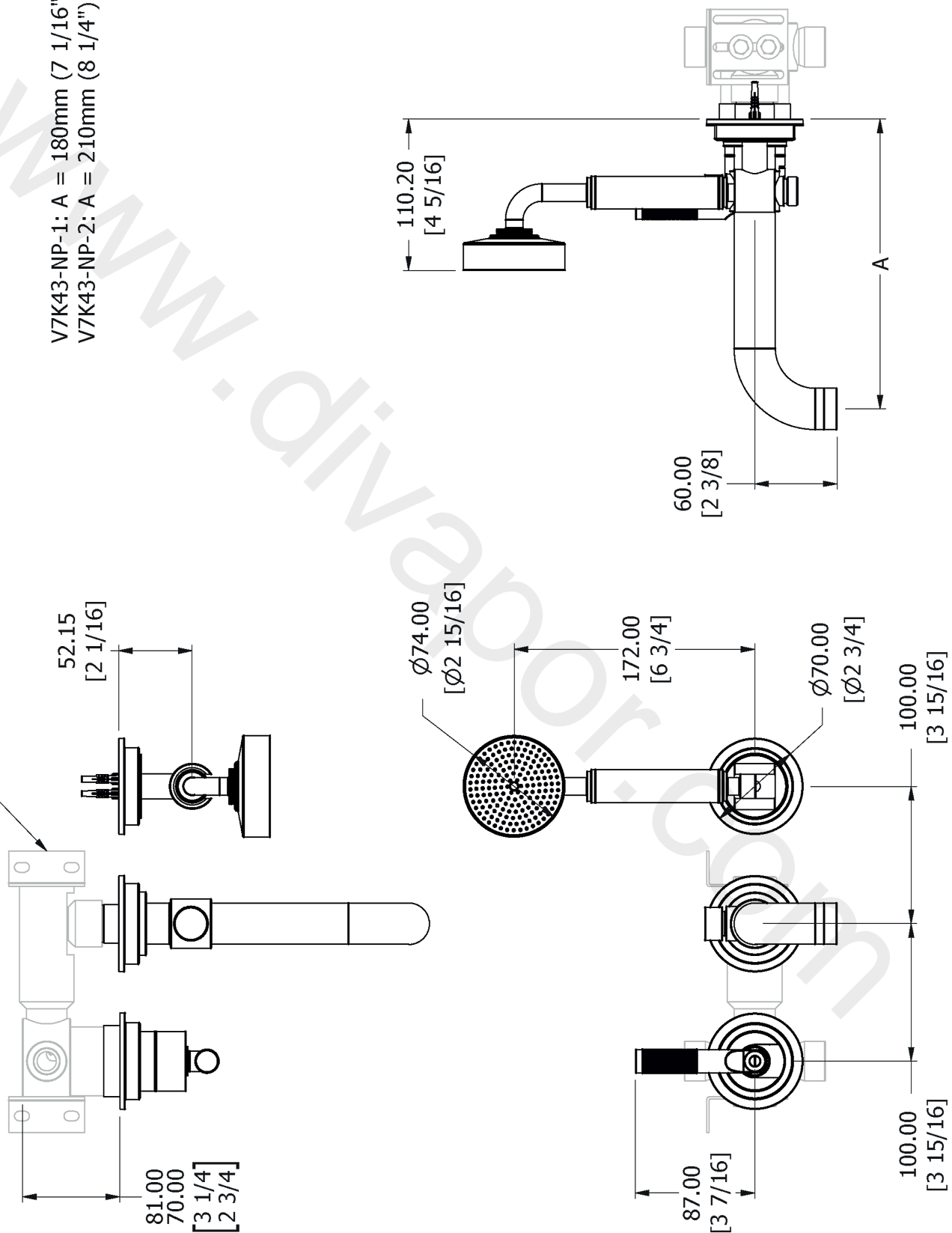


Dimension Key

V743-LK-NP

V7K43-NP-1: A = 180mm (7 1/16")
 V7K43-NP-2: A = 210mm (8 1/4")

V720-IS / V720-AIS

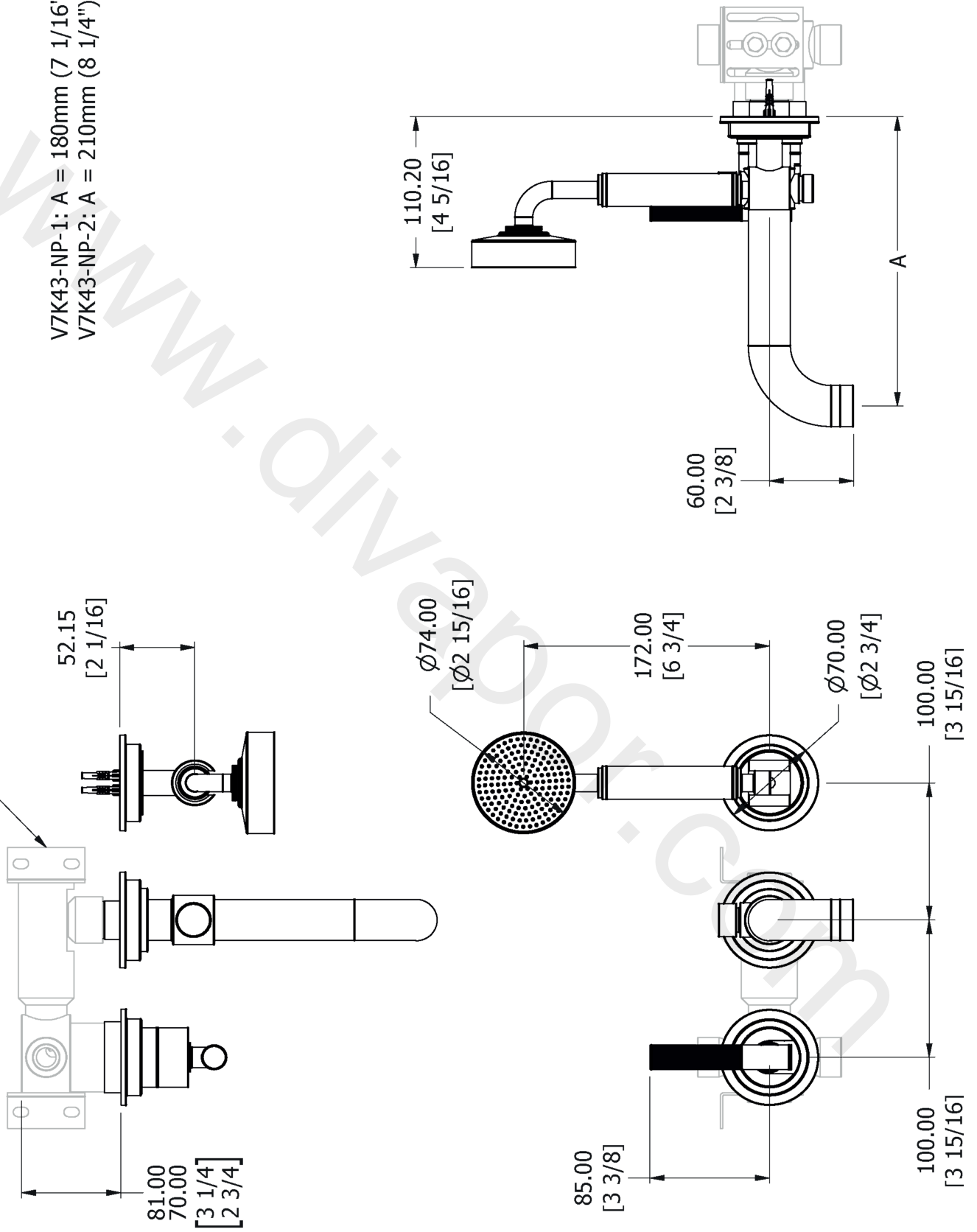


Dimension Key

V743-LL-NP

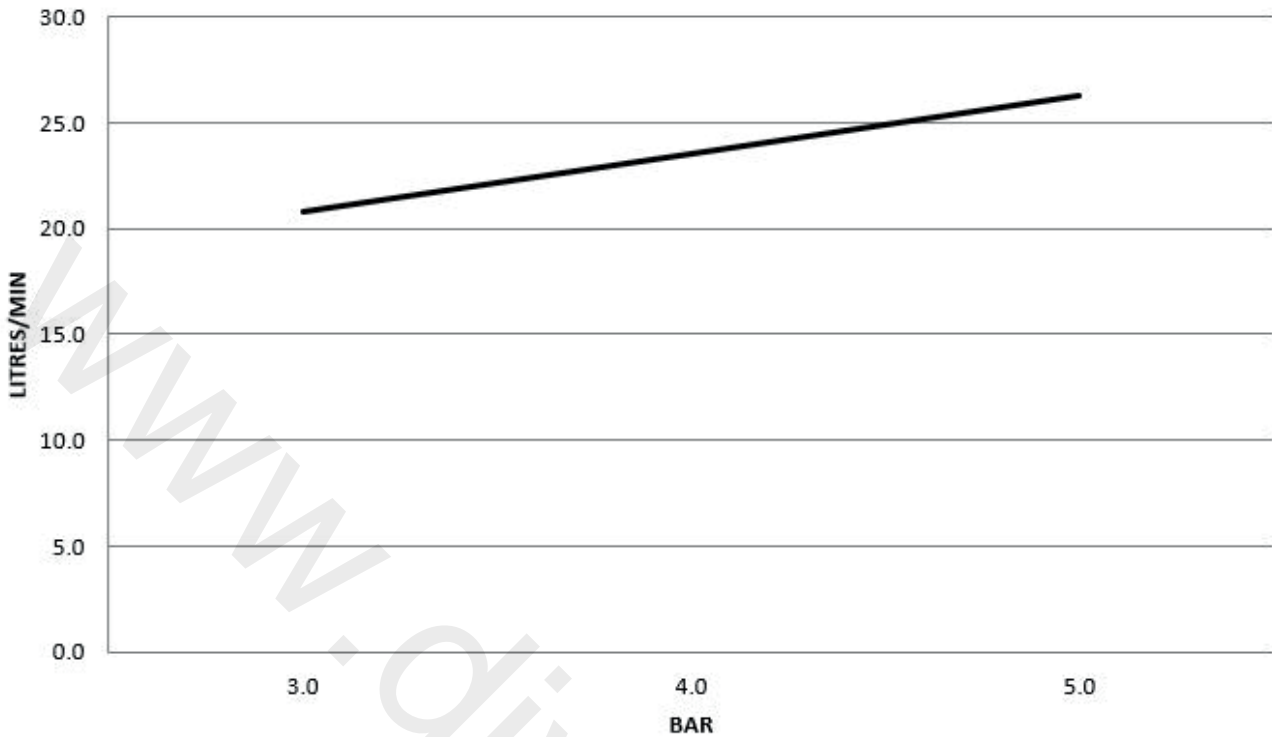
V7K43-NP-1: A = 180mm (7 1/16")
V7K43-NP-2: A = 210mm (8 1/4")

V720-IS / V720-AIS



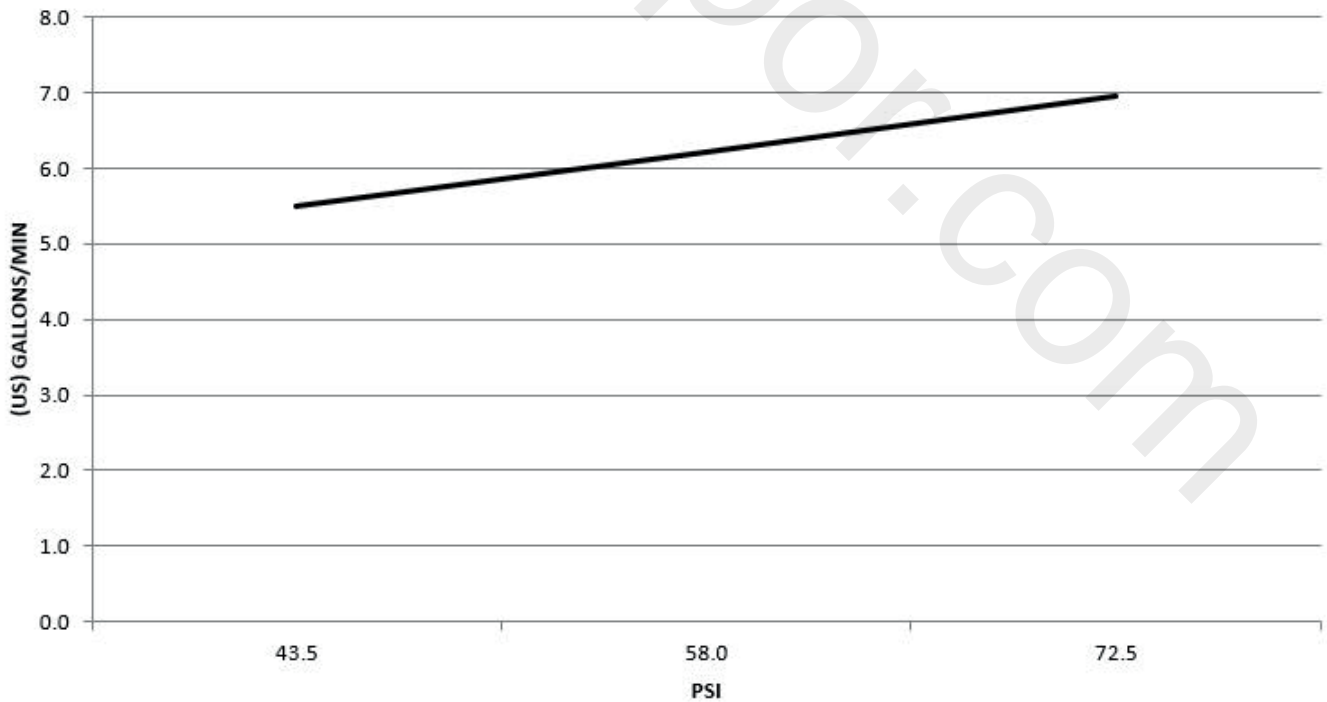
Flow Rates

V743 FLOW RATE LITRES/MIN



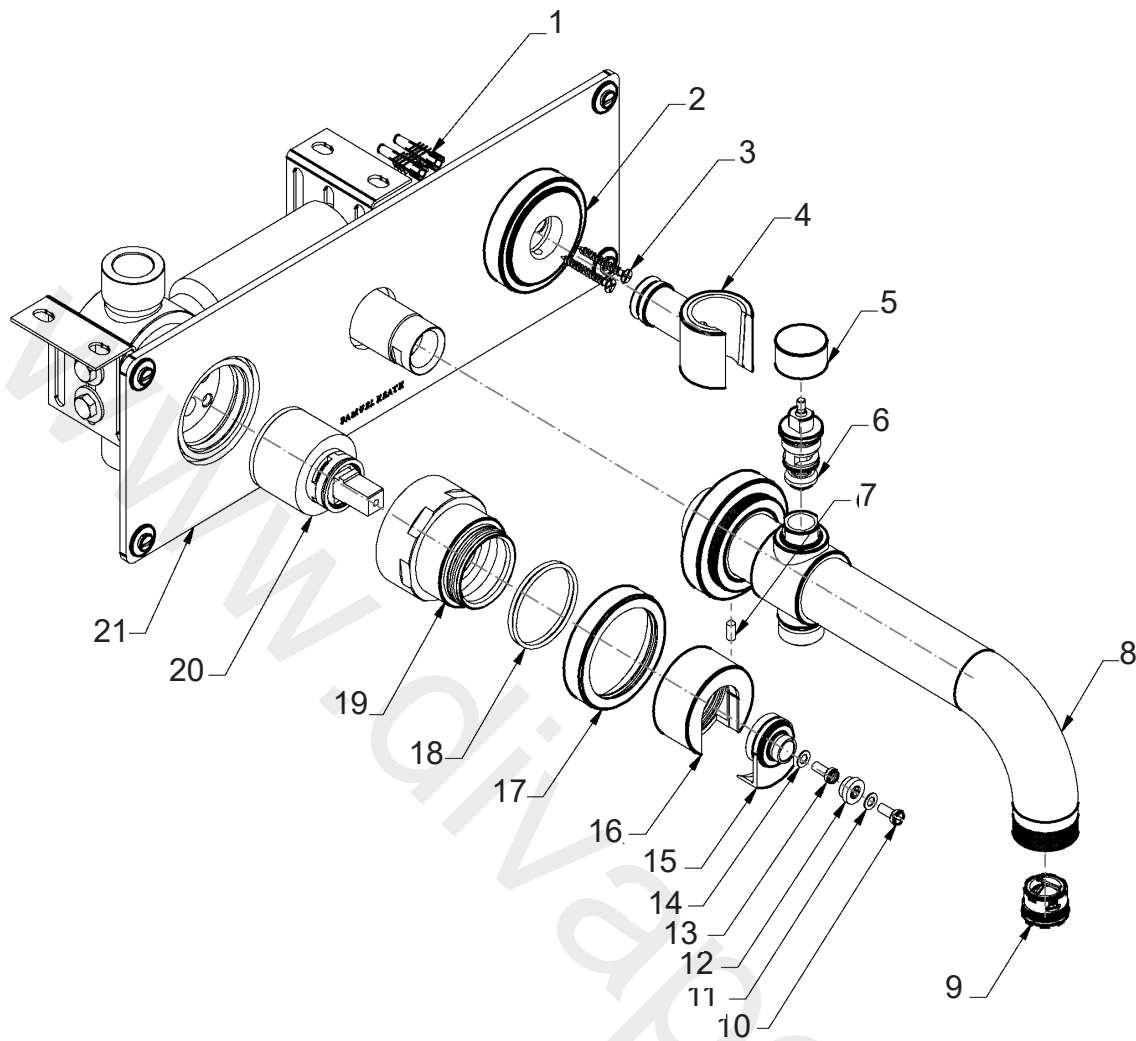
Note: 3 bar minimum pressure recommended for bath filling. 0.5 bar minimum pressure recommended for basin filling.

V743 FLOW RATE (US) GALLONS/PSI



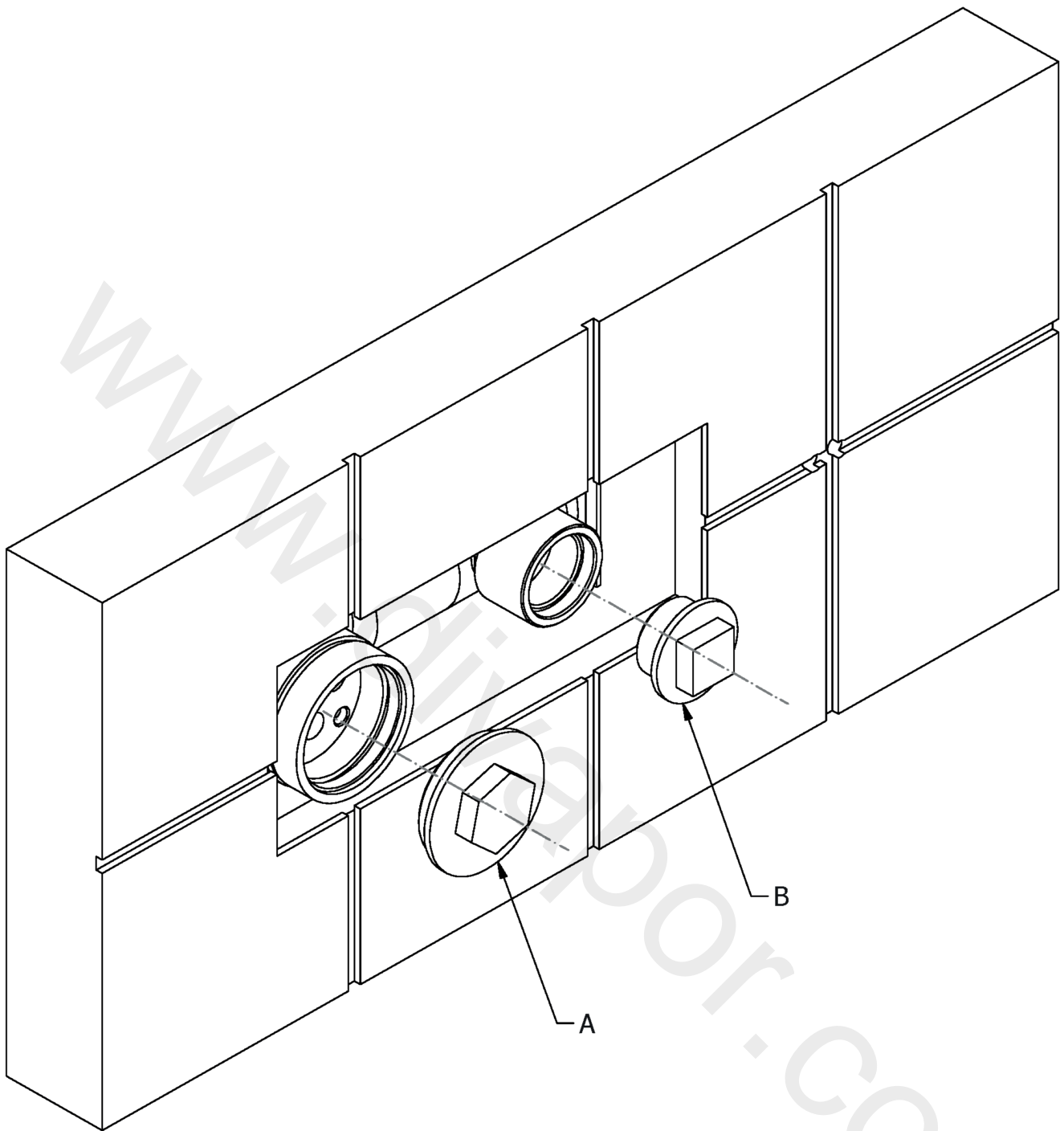
The flow rate data provided in this document is indicative of each product and is given in an open outlet condition. Installation design, external connections and fittings not supplied may affect the data provided.

Spares Information



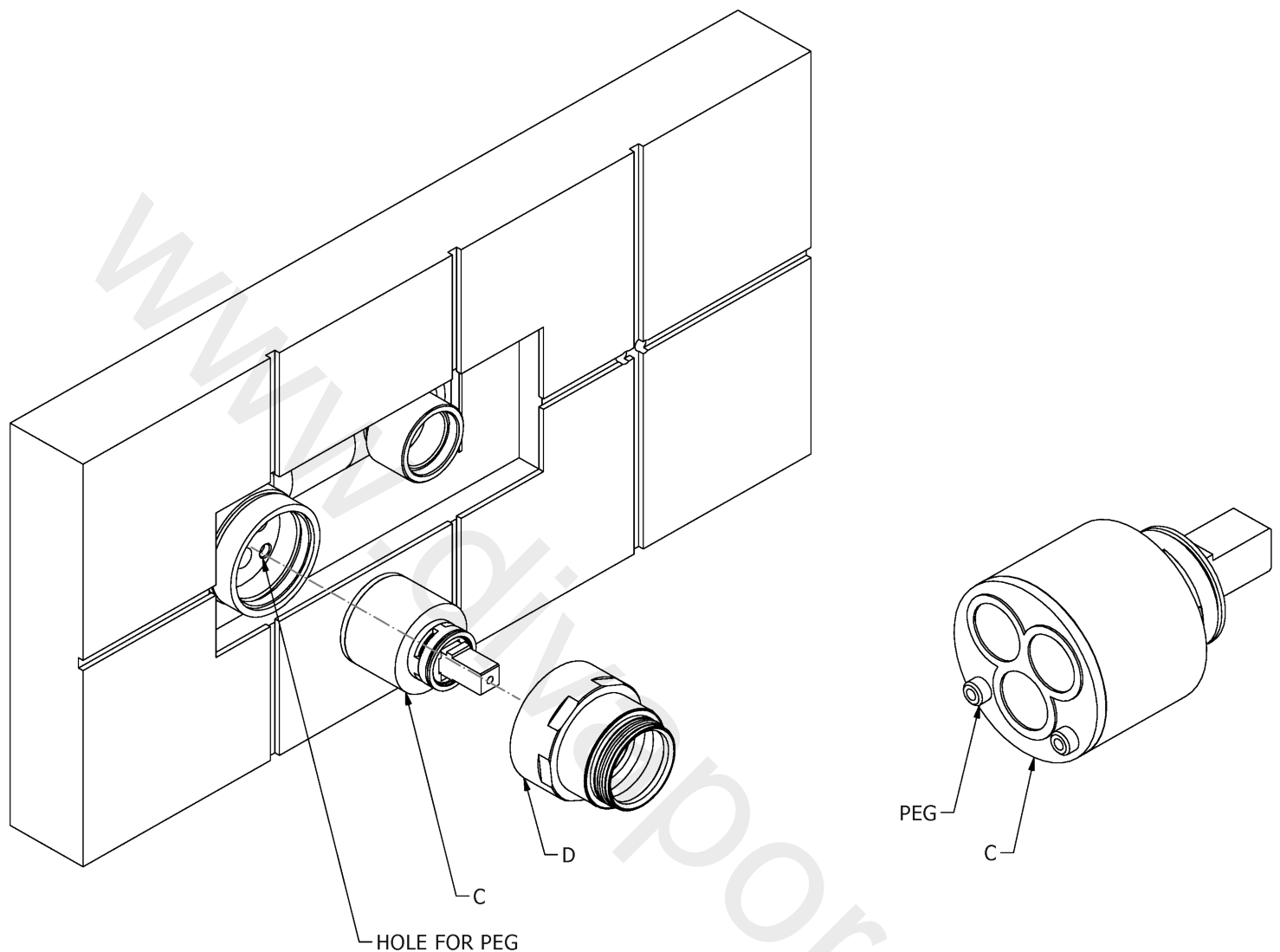
Item	Part No.	Description	Item	Part No.	Description
1	-	Wall Plugs	11	-	Washer
2	-	Escutcheon	12	-	Adaptor
3	-	Screws	13	-	Screw
4	-	Handset Holder	14	-	Washer
5	-	Diverter Knob	15	-	Lever Mount
6	-	Diverter Cartridge	16	-	Rotating Collar
7	-	Grub Screw	17	-	Escutcheon
8	-	Spout Assembly	18	-	O-Rings
9	-	Aerator	19	-	Locking Nut
10	-	Screw	20	VS56022	Cartridge
			21	-	Backplate

Installation



1. Remove blanking plugs (A) & (B).

Installation

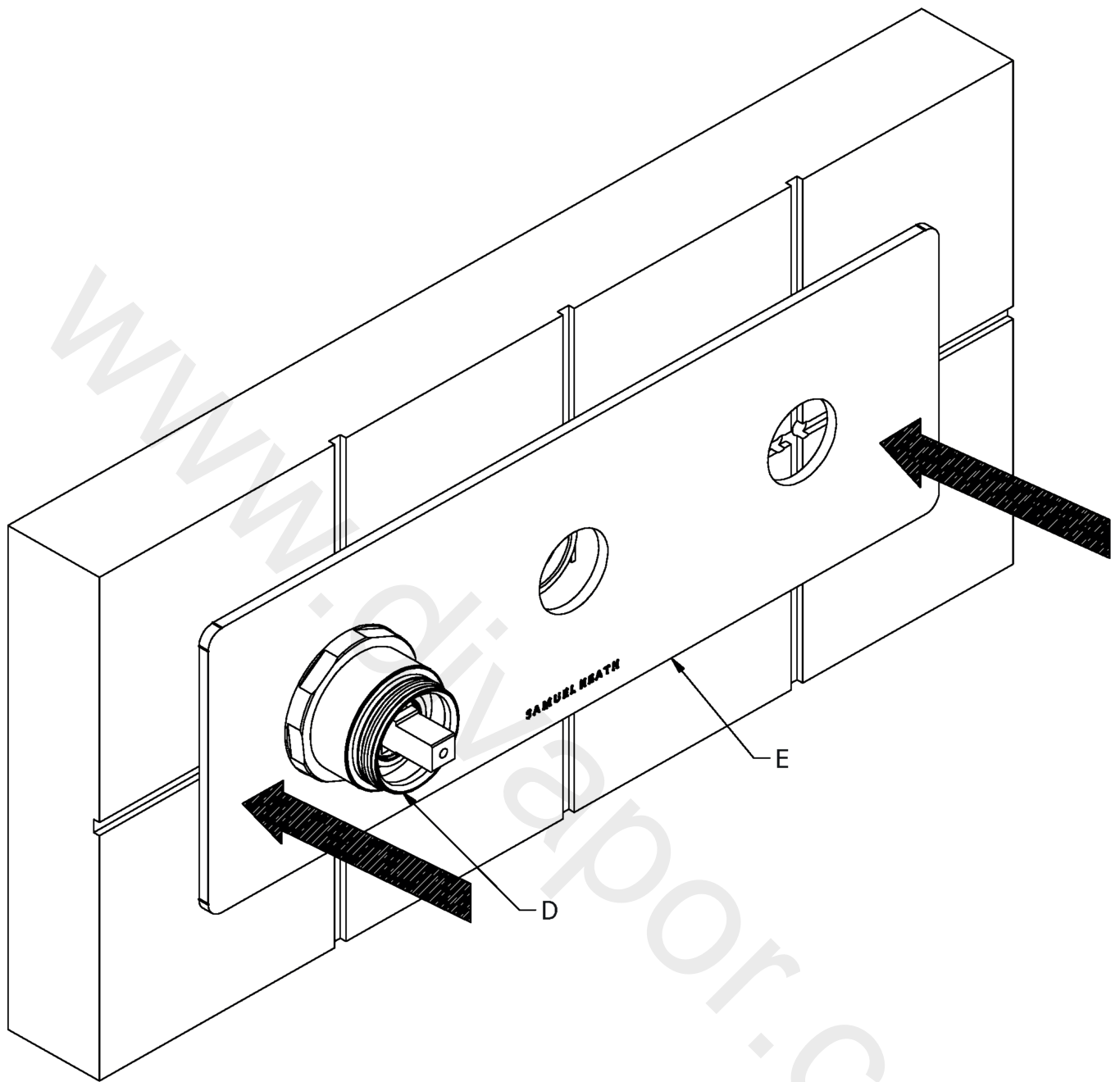


2. Insert cartridge (C) into installation kit, ensuring locator peg on cartridge (C) slots into peg hole on the installation kit.

3. Secure cartridge (C) into the installation kit using locking collar.

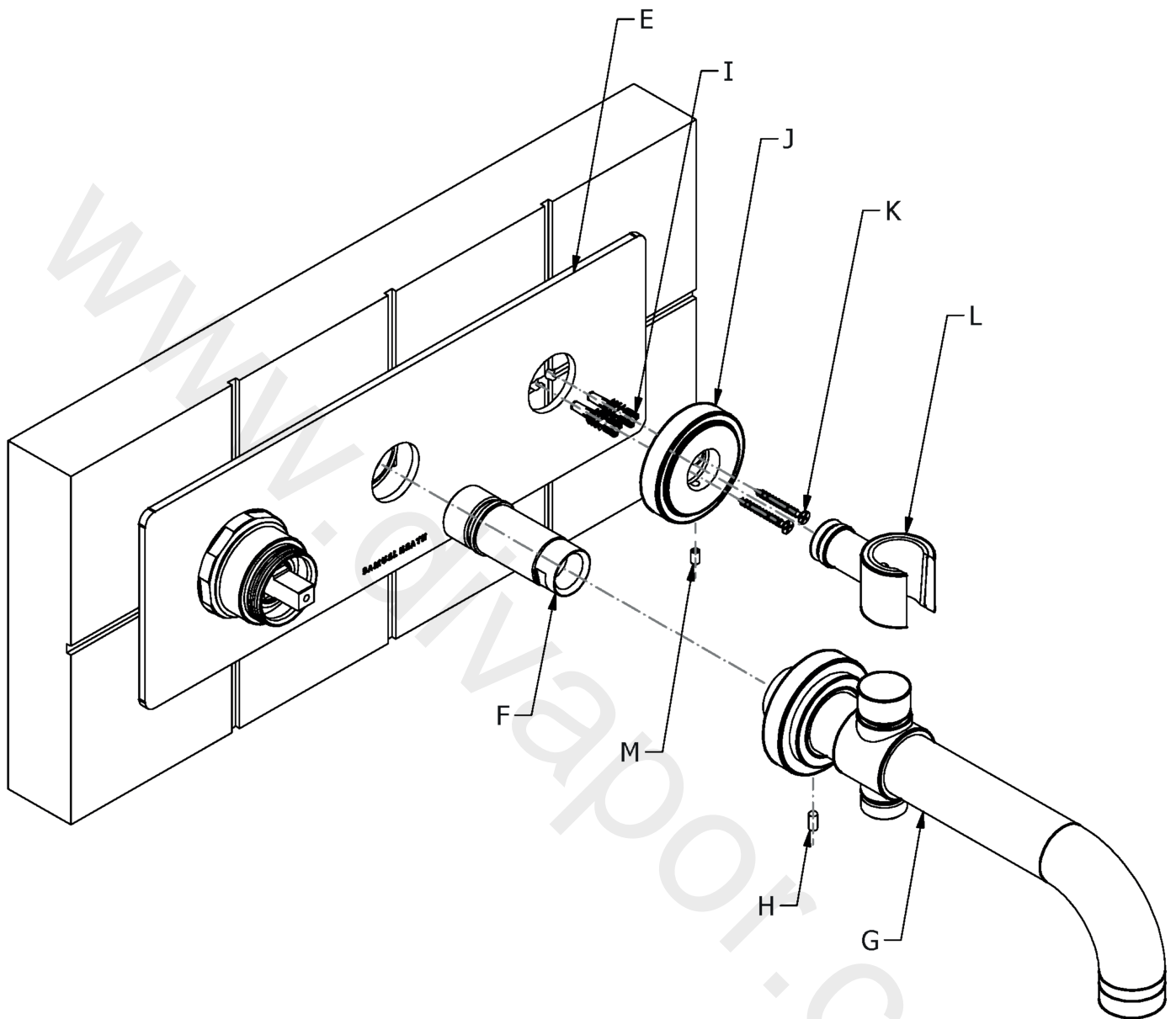
Note: Recommended torque for Locking collar (D) is 12-13Nm

Installation



4. Apply silicone sealant to the finished surface before assembling backplate (E).
5. Push backplate (E) over locking collar (F) and against the finished surface as shown.
6. Align backplate (E) and secure them in place

Installation



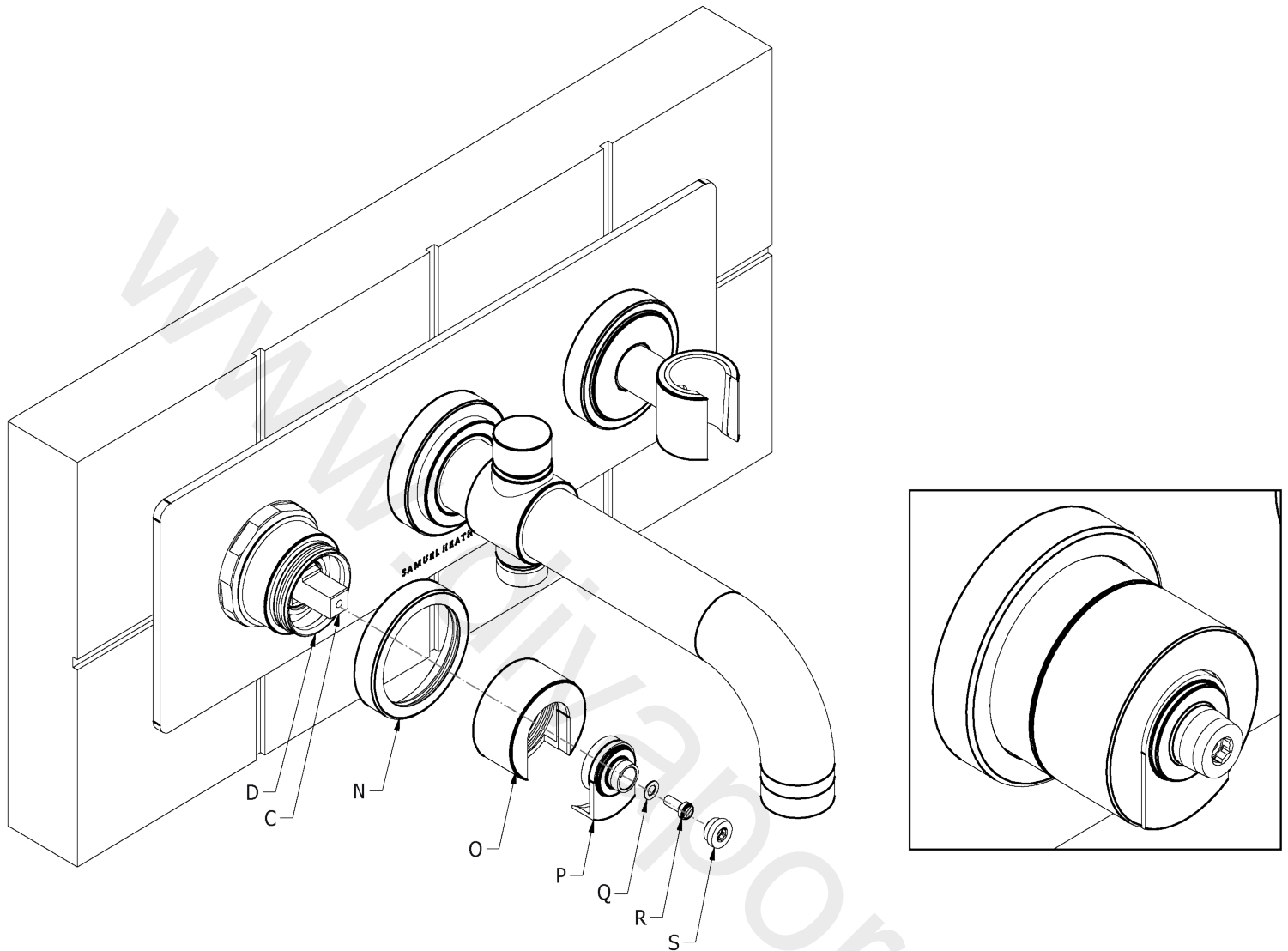
7. Push spout tail (F) through back plate (E) and screw into installation kit using a spanner (not provided).

8. Push spout assembly (G) onto spout tail (F), align to desired angle and secure in place using grub screw (H).

9. Fit escutcheon (J) to the wall using wall plugs (I) and screws (K).

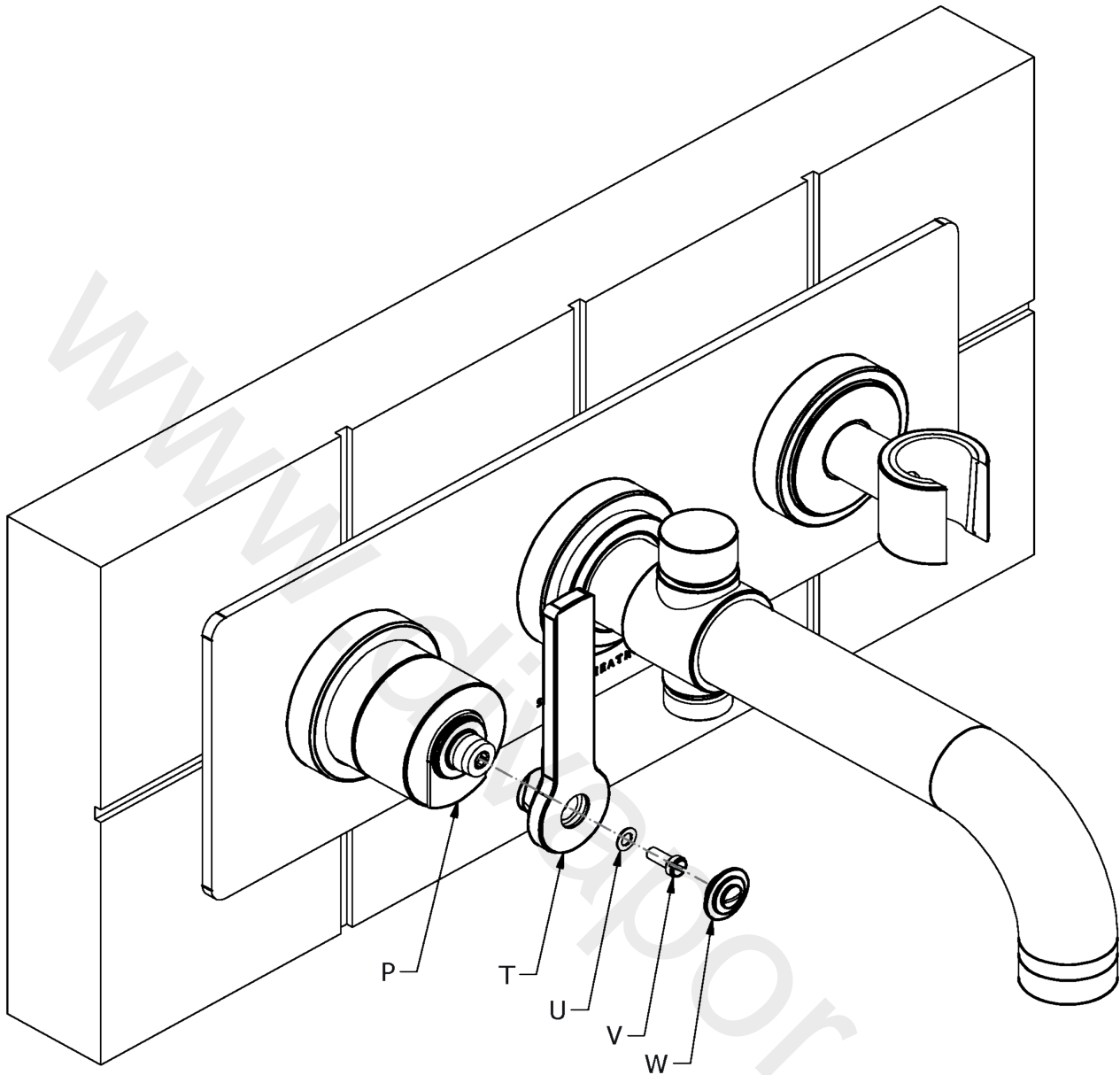
10. Push handset holder (L) into escutcheon (J) and secure in place using grub screw (M).

Installation



11. Push escutcheon cover (N) onto locking collar (D) to conceal flats.
12. Push rotating collar (O) onto locking collar (D), this will require some force for it to snap into place.
13. Push lever mount (P) through rotating collar (O) and onto a cartridge (C).
14. Secure lever mount (P) in place using washer (Q) and screw (R).
15. Screw adaptor (S) into lever mount (P) to conceal fixings.

Installation



16. Push lever (T) on to lever mount (P).

17. Place anti-rotational washer (U) inside lever (T) and secure in place using screw (V).

Note: Do not discard anti-rotational washers.

18. Push indice (W) into lever (T) to conceal fixings.

IMPORTANT NOTES

1. Installation should be carried out by a competent engineer, in accordance with water regulations.
2. Before installation, ensure supply pipes are flushed clean. Debris or loose particles will affect the efficiency of the ceramic disc cartridge.
3. For mixer taps, it is recommended that hot & cold pressures are equally balanced.
4. To help maintain the high quality finish, please clean with a soft damp cloth. Do not use abrasive polish or cleaners. Stains may be removed using undiluted washing up liquid.
5. Ceramic cartridges in hard water areas. To prolong the lifespan and reduce servicing periods of your Samuel Heath tap we recommend that a suitable water softener be fitted. Consult your installer/designer for details.
6. Please note that as with all tap and shower ware it will be necessary from time to time for the products to be serviced, this should be carried out by a qualified Plumbing Engineer.

NOTES IMPORTANTES

1. L'installation doit être faite par un ingénieur qualifié, selon les règlements du Service Eau.
2. Avant l'installation, il faut s'assurer que les tuyaux d'approvisionnement sont complètement purgés. Les déchets flottants auront un effet détrimentaire sur l'efficacité de la cartouche céramique.
3. Il est recommandé que les pressions de l'eau chaude et eau froide des mitigeurs et mélangeurs soient maintenues à un niveau égal.
4. Pour conserver la finition de haute qualité, nettoyer avec un chiffon doux et humide. N'employer jamais de la cire et des produits abrasifs. Les tâches peuvent être enlevées à l'aide de liquide vaisselle pur.
5. Cartouches en céramique dans les régions à eau calcaire. Pour prolonger la durée et réduire l'entretien de votre robinetterie Samuel Heath, nous recommandons d'utiliser un adoucisseur d'eau convenable. Veuillez consulter votre installateur/fournisseur pour plus de renseignements.
6. Veuillez noter qu'un entretien sera nécessaire de temps en temps et doit être effectué par un installateur qualifié.

WICHTIGE HINWEISE

1. Installation sollte durch einen kompetenten Fachmann und nach den üblichen Vorschriften ausgeführt werden.
2. Vor Installation Wasserleitung gründlich durchspülen. Verschmutzung wird die Funktion der Kartusche erheblich einschränken.
3. Für Mischbatterien ist es wichtig, daß Wasser mit gleichem Druck eingeführt wird.
4. Um den optimalen Zustand dieses Produktes zu erhalten, wischen Sie es bitte nur mit einem feuchten, weichen Lappen ab. Auf keinen Fall Scheuermittel verwenden. Flecken lassen sich mit unverdünntem Geschirrspülmittel entfernen.
5. Keramikkartuschen in Hartwasserbereichen. Um die Lebensdauer zu verlängern und Wartungszeiten zu reduzieren empfiehlt Samuel Heath den Einsatz eines geeigneten Wasserenthärter. Fragen Sie Ihren Installateur/Designer um Rat.
6. Bitte merken Sie, dass alle Armaturen ab und zu eine Wartung brauchen. Diese soll durch einen kompetenten Installateur ausgeführt werden.

ATENCION

1. La instalación se debe realizar por un fontanero.
2. Antes de la instalación, deben pulgar las tuberías dejando correr el agua por las tuberías para que arrastren los residuos de montaje/obra, con el motivo de que no afecte la eficacia del cartucho de cerámica.
3. Para grupo baño/ducha se recomienda que las presiones del agua caliente y frío sean equilibradas.
4. Para ayudar a mantener el acabado de este producto, limpiar con un paño húmedo suave. No se debe emplear productos abrasivos de baño. Las manchas se pueden quitar empleando líquido lava-vajillas puro.
5. Cartuchos cerámicos en áreas de aguas duras. Para prolongar su vida útil y reducir los periodos de reparación de su grifo SamuelHeath recomendamos la instalación de un descalcificador de agua. Consulte a su instalador para más detalles.
6. Igual que con todo tipo de grifería y duchas, de vez en cuando será necesario llevar a cabo una revisión al producto; esto debería ser realizado por un fontanero calificado.

ATTENZIONE

1. L'impianto deve essere montato da personale tecnico in conformità alle vigenti leggi.
2. Prima dell'installazione assicurarsi che le tubature dell'acqua siano pulite. Detriti o residui di lavorazione compromettono l'efficienza del cartuccio.
3. Per i gruppi, si raccomanda che le pressioni acqua calda e acqua fredda siano ugualmente bilanciate.
4. Per mantenere la finizione di ottima qualità, pulire con un panno soffice e inumidito.
Non usare creme lucidanti e materiali abrasivi. Le macchie potranno essere tolte usando del detersivo per piatti puro.
5. Come con tutti i tipi di rubinetti e docce, di volta in volta è necessario effettuare una revisione al prodotto; questo dovrebbe essere fatto da un idraulico qualificato.

SAMUEL HEATH

Head Office and Customer Service

Leopold Street
Birmingham
England
B12 0UJ

T: +44 (0)121 766 4200
F: +44 (0)121 772 3334

Info@samuel-heath.com
www.samuel-heath.co.uk

US Customer Service

usa@samuel-heath.com
Federal I.D. No. 58-1504682
www.samuel-heath.com

8-40510
Issue: C