

SAMUEL HEATH

Product Data Sheet

V744-1 / V744-2 / V744-A-1 / V744-A-2

3 Hole Bath / Tub Filler Deck Mounted

V748-1 / V748-2 / V748-A-1 / V748-A-2

4 Hole Bath / Tub Filler Deck Mounted



- Available Options -

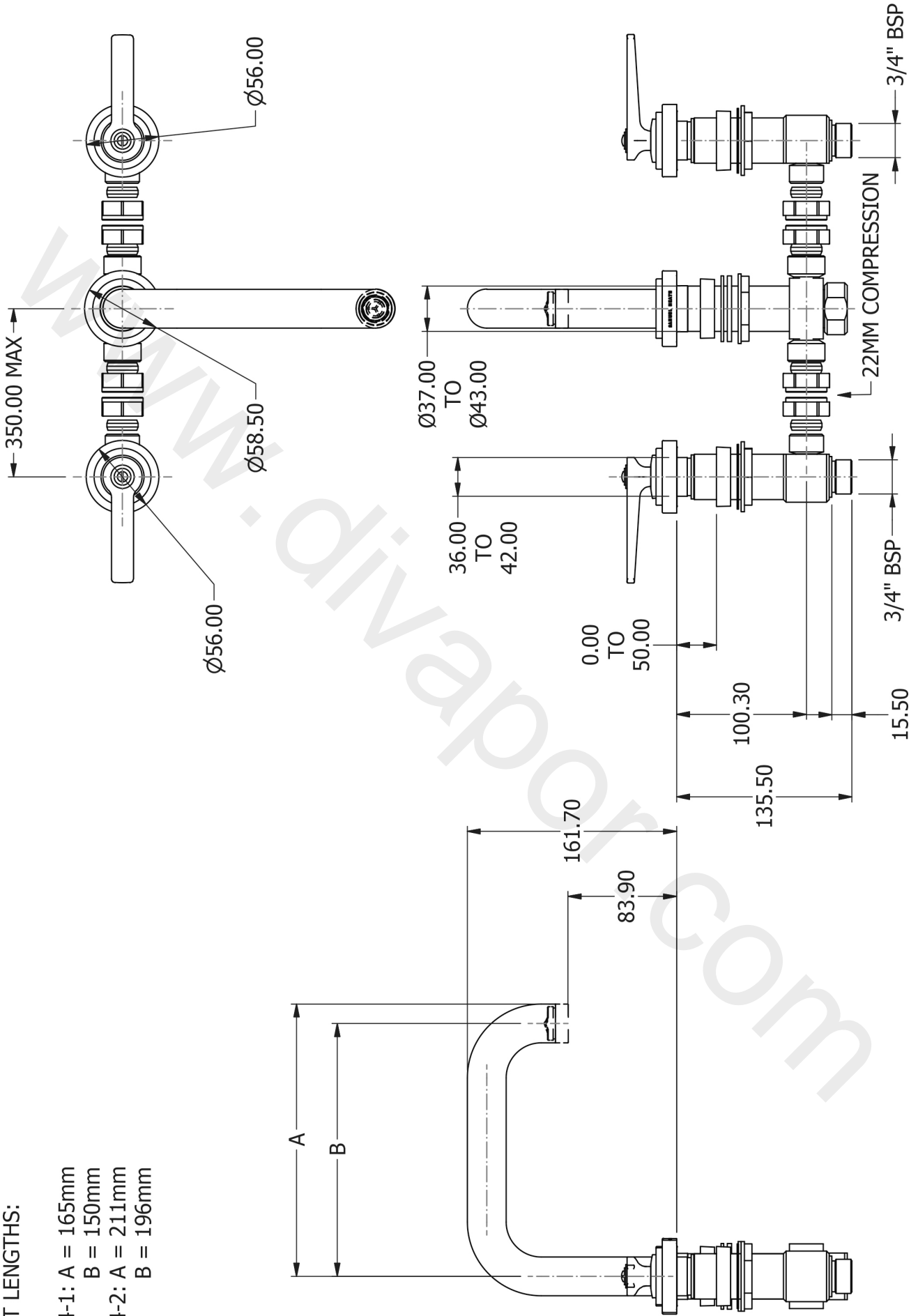
 V7K44-1LF	 V7K44-1LK	 V7K44-1XF	 V7K44-1XK
 V7K48-1LF	 V7K48-1LK	 V7K48-1XF	 V7K48-1XK

Dimension Key

V7K44-LF

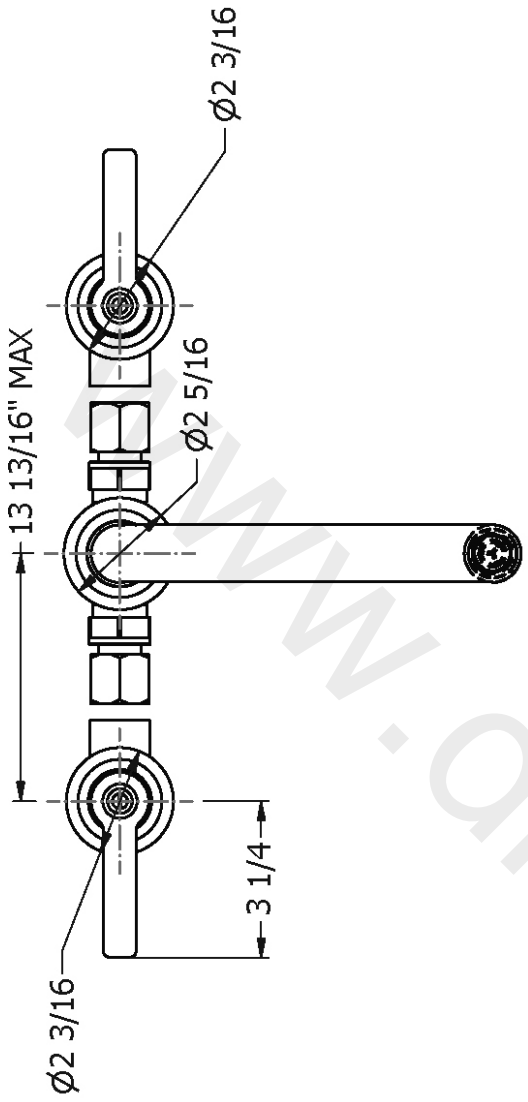
SPOUT LENGTHS:

- V7K44-1: A = 165mm
B = 150mm
- V7K44-2: A = 211mm
B = 196mm



Dimension Key

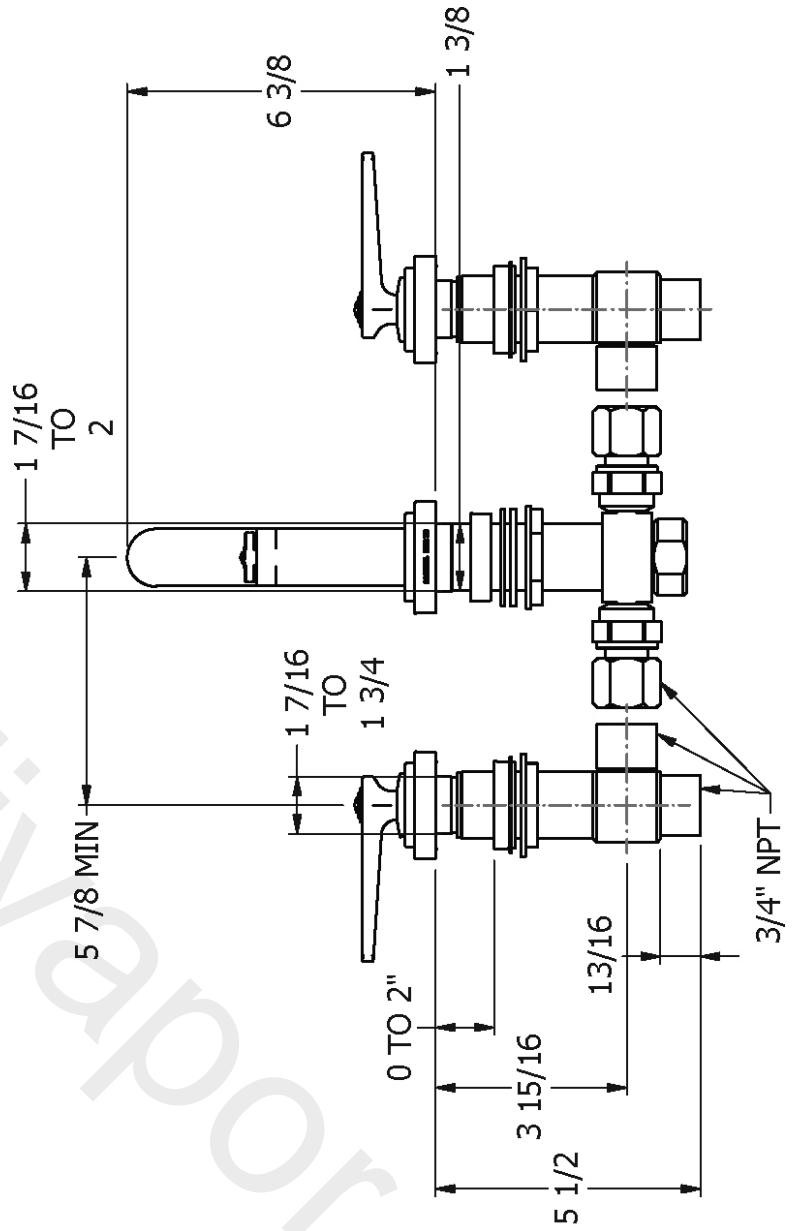
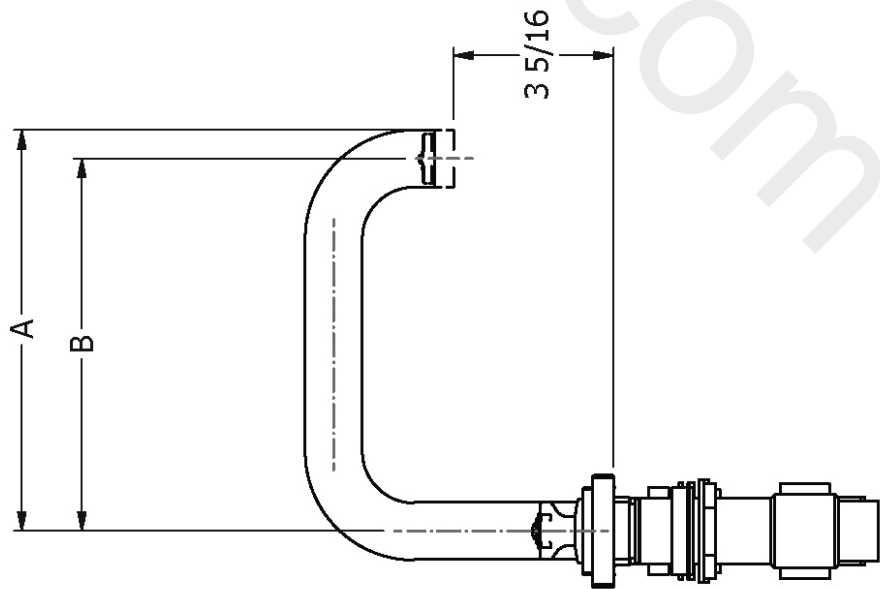
V7KA44-LF



SPOUT LENGTHS:

V7KA44-1: A = $6 \frac{1}{2}$ in
B = $5 \frac{7}{8}$ in

V7KA44-2: A = $8 \frac{5}{16}$ in
B = $7 \frac{11}{16}$ in



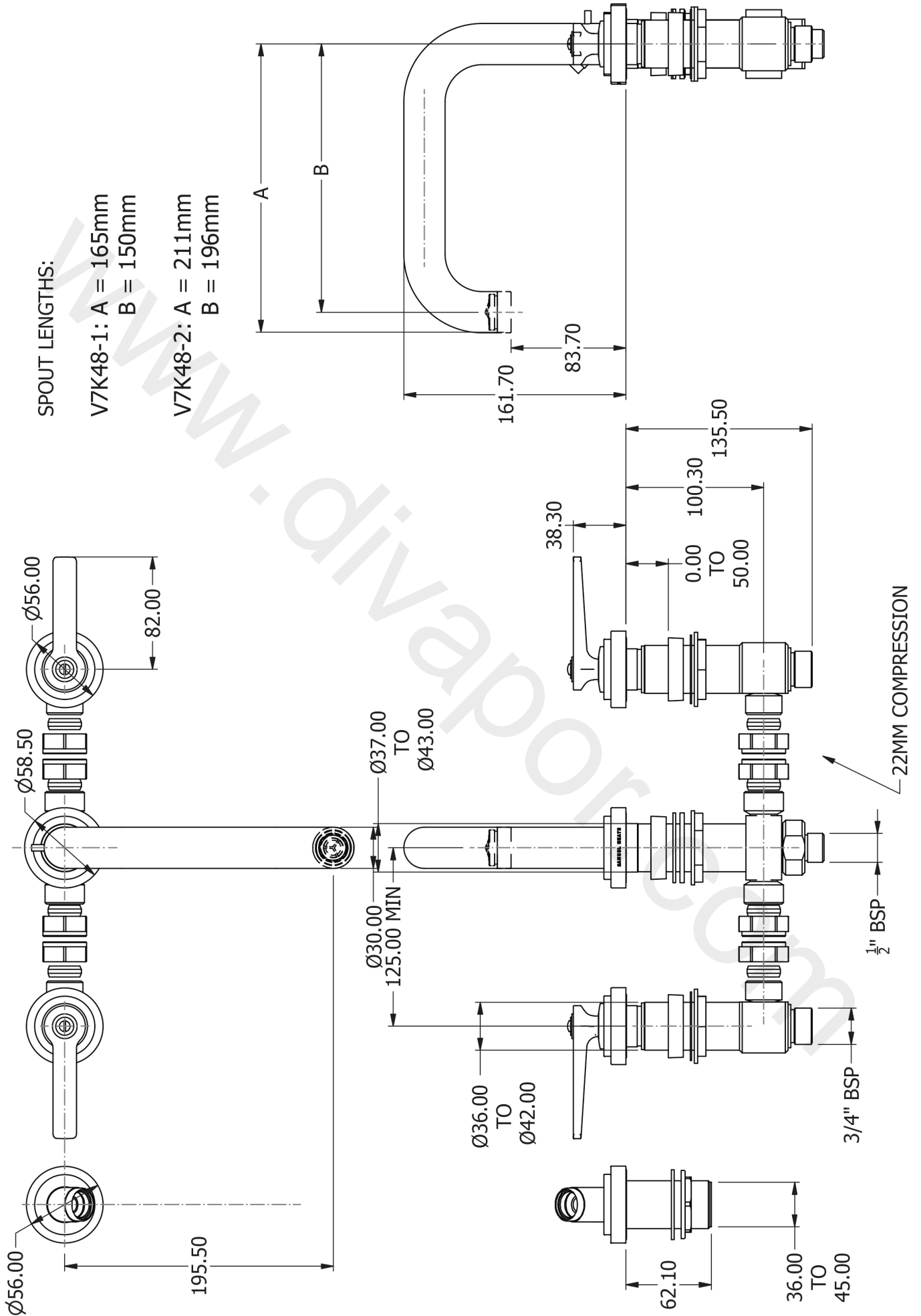
Dimension Key

V7K48-LF

SPOUT LENGTHS:

V7K48-1: A = 165mm
B = 150mm

V7K48-2: A = 211mm
B = 196mm



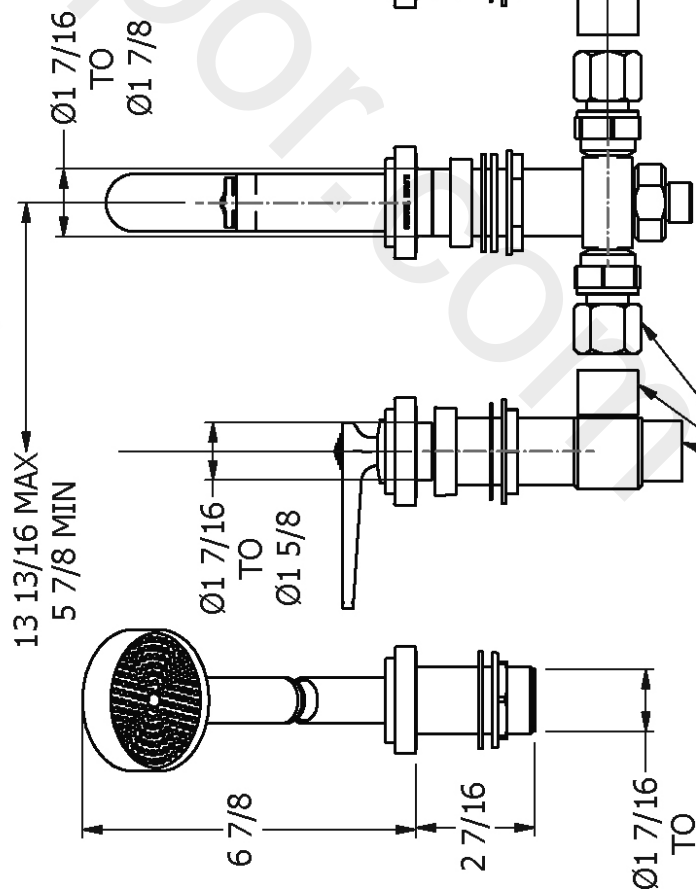
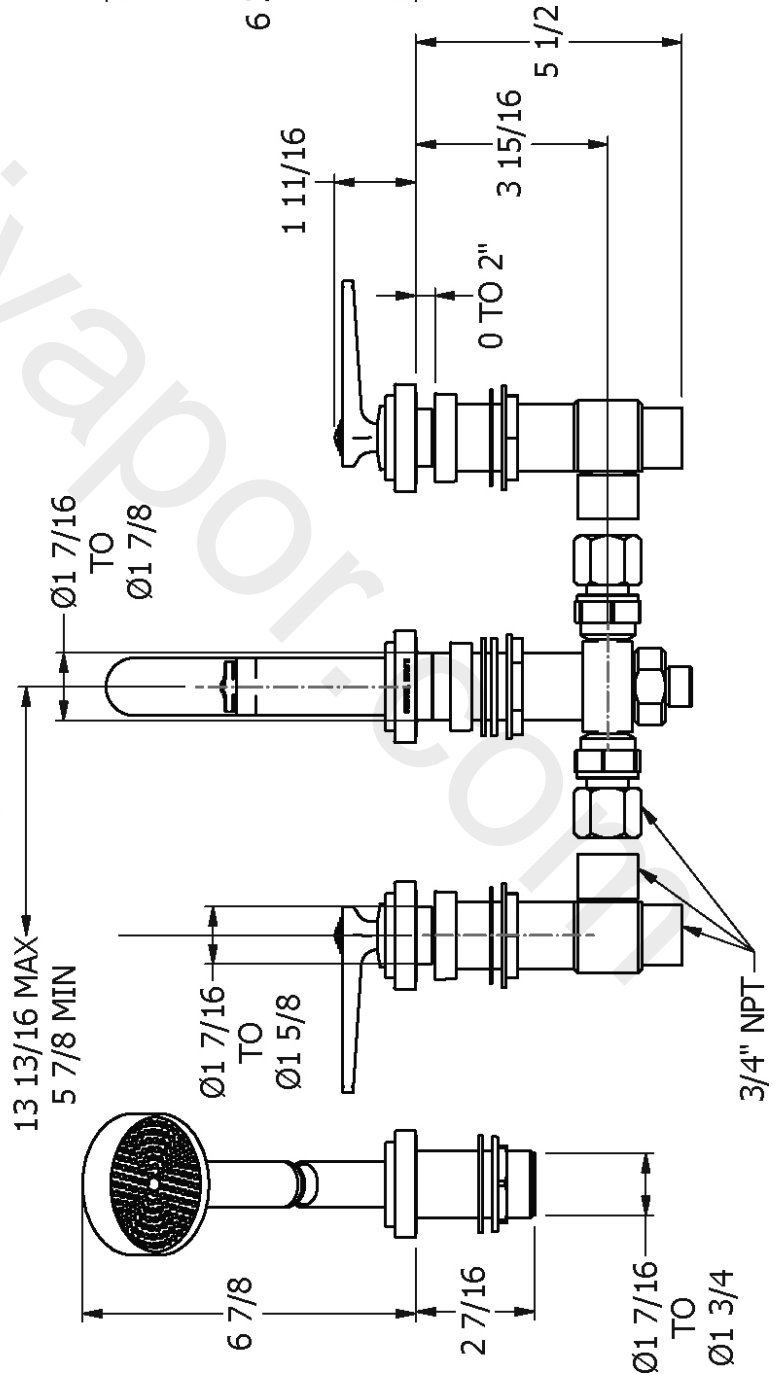
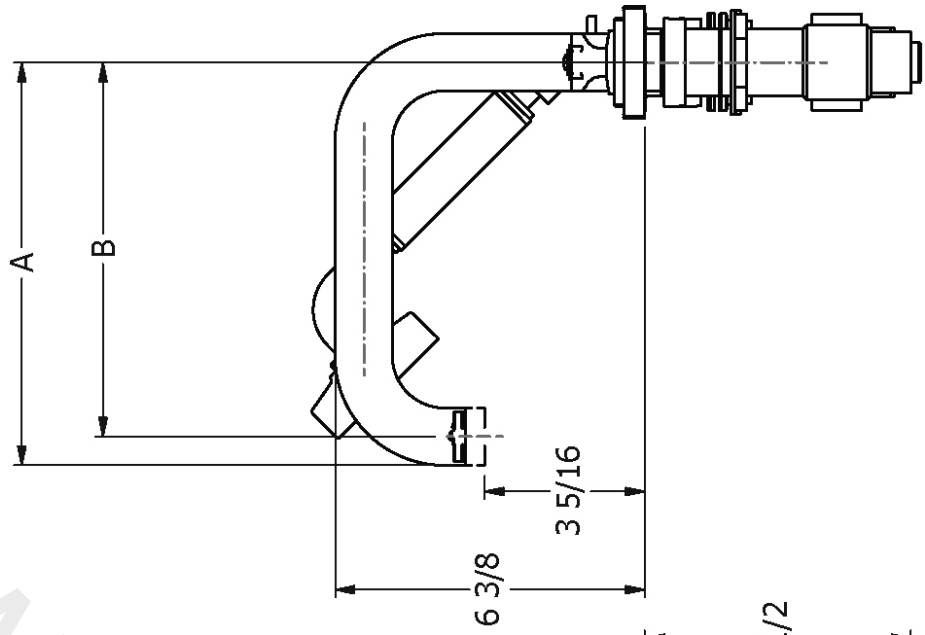
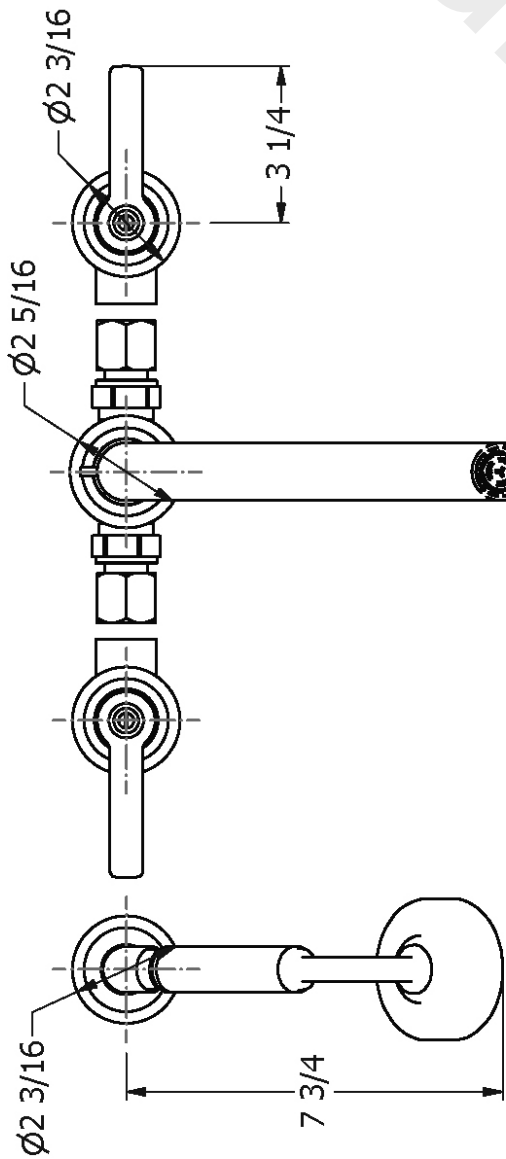
Dimension Key

V7KA48-LF

SPOUT LENGTHS:

V7KA48-1: A = 6 1/2in
B = 5 7/8in

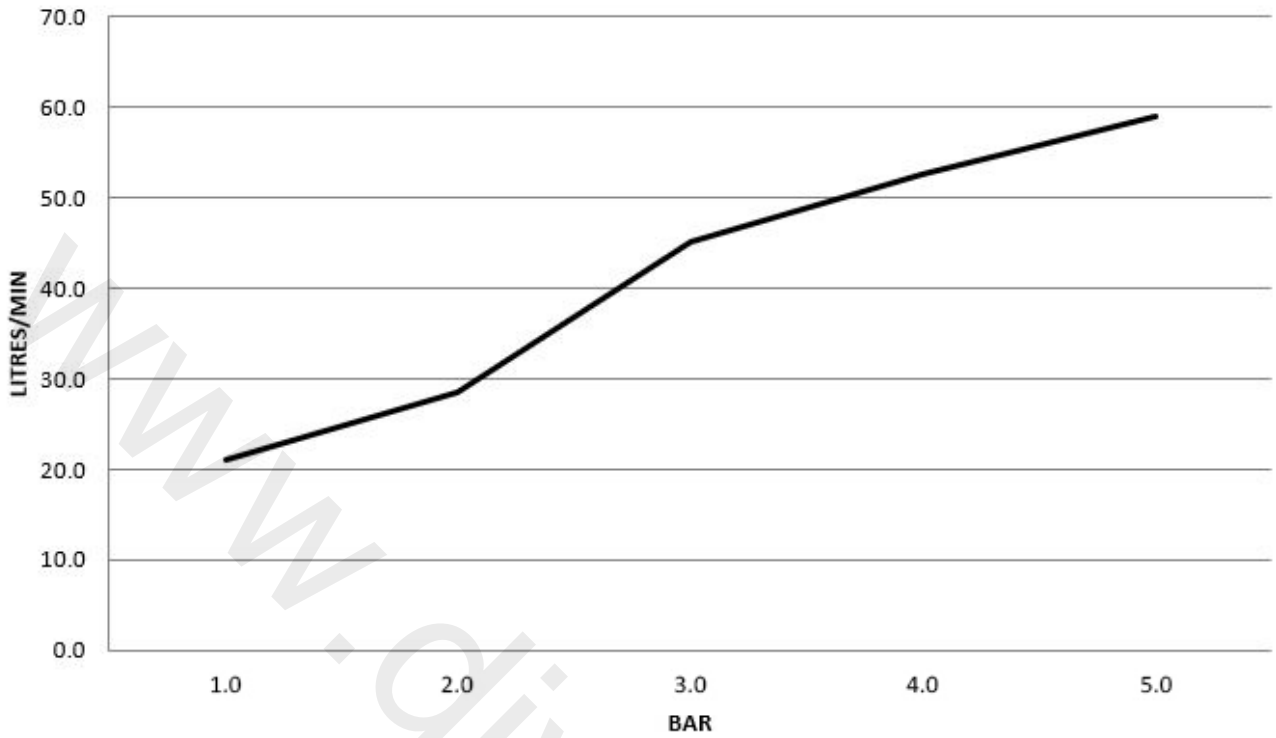
V7KA48-2: A = 8 5/16in
B = 7 11/16in



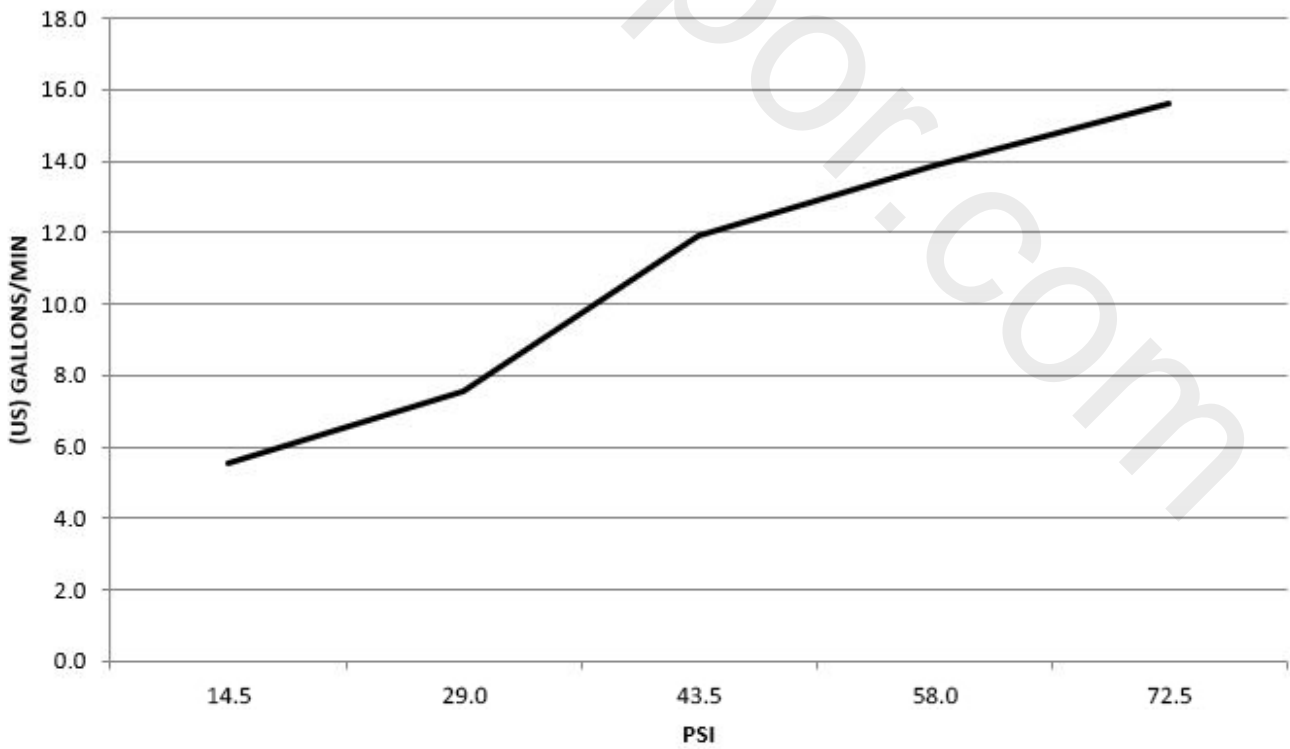
$\phi 1 \frac{7}{16}$
TO
 $\phi 1 \frac{3}{4}$

Flow Rates

V744 FLOW RATE LITRES/MIN

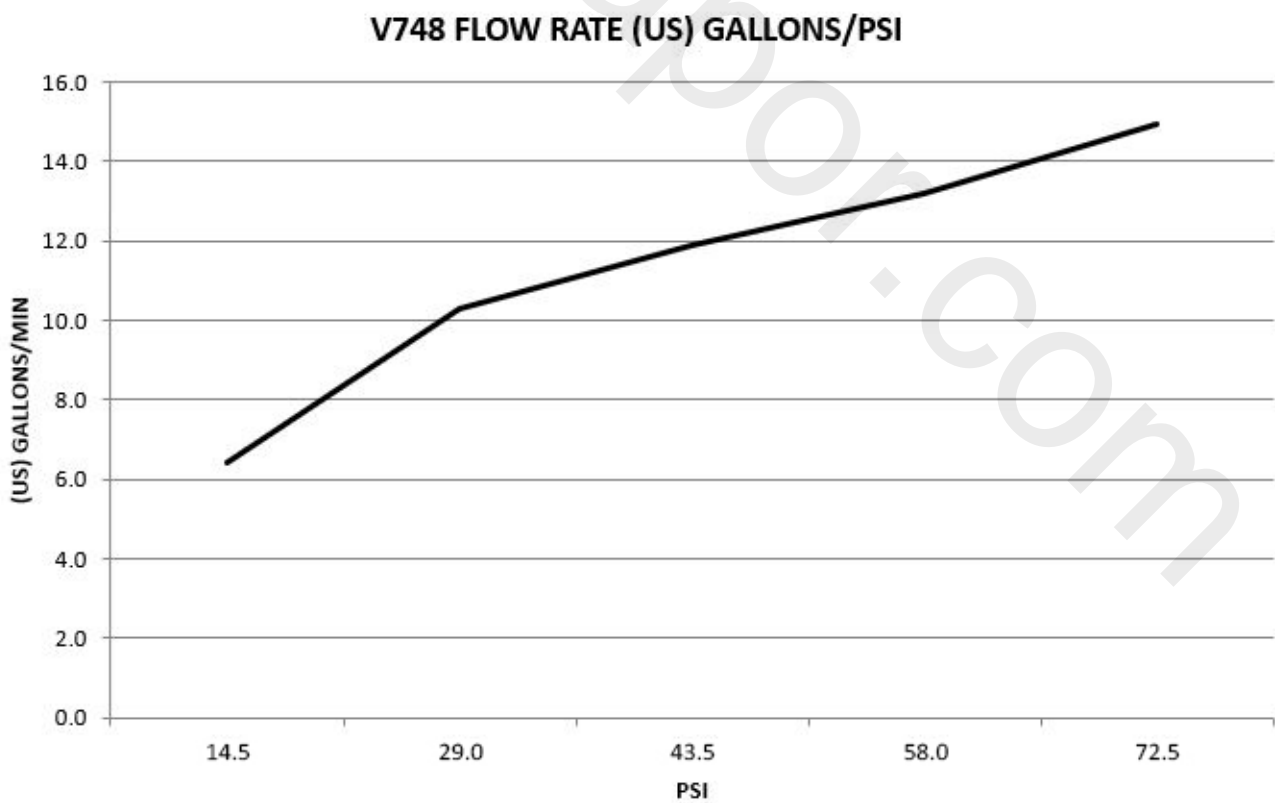
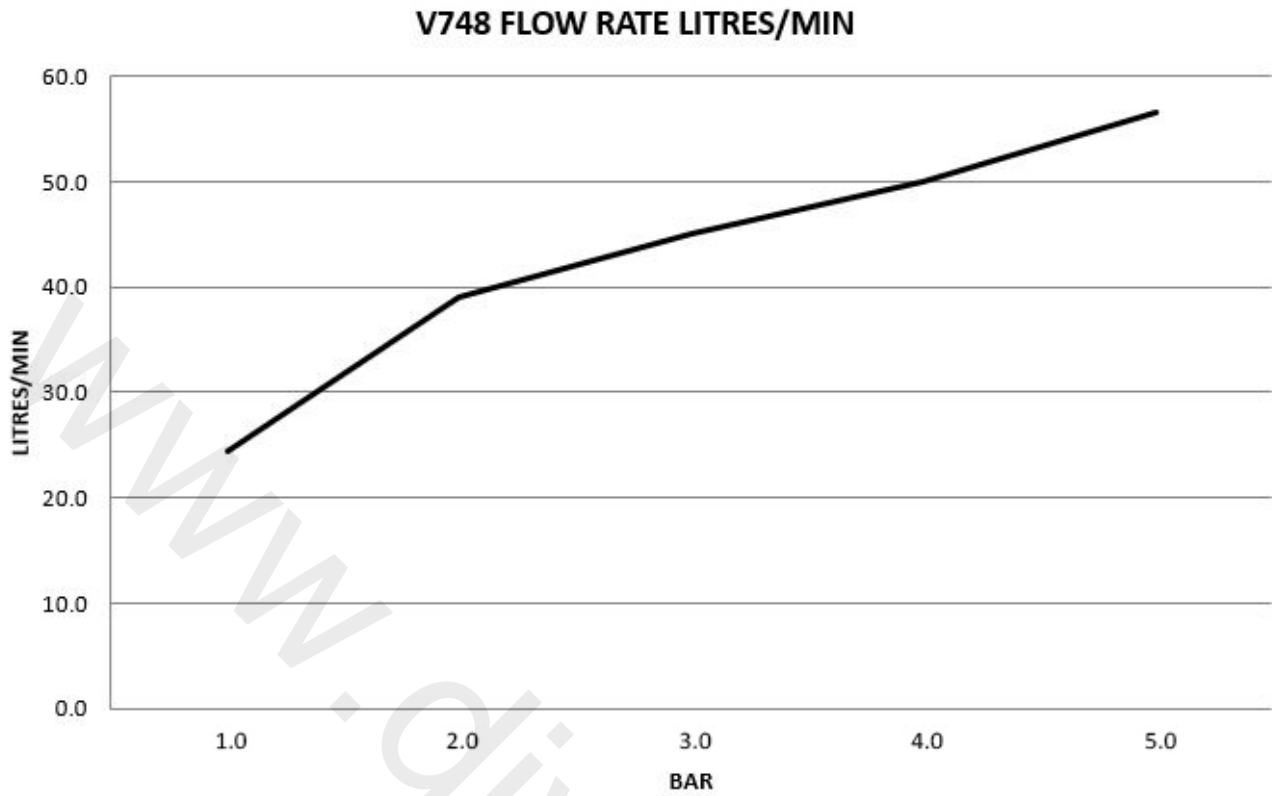


V744 FLOW RATE (US) GALLONS/PSI



The flow rate data provided in this document is indicative of each product and is given in an open outlet condition. Installation design, external connections and fittings not supplied may affect the data provided.

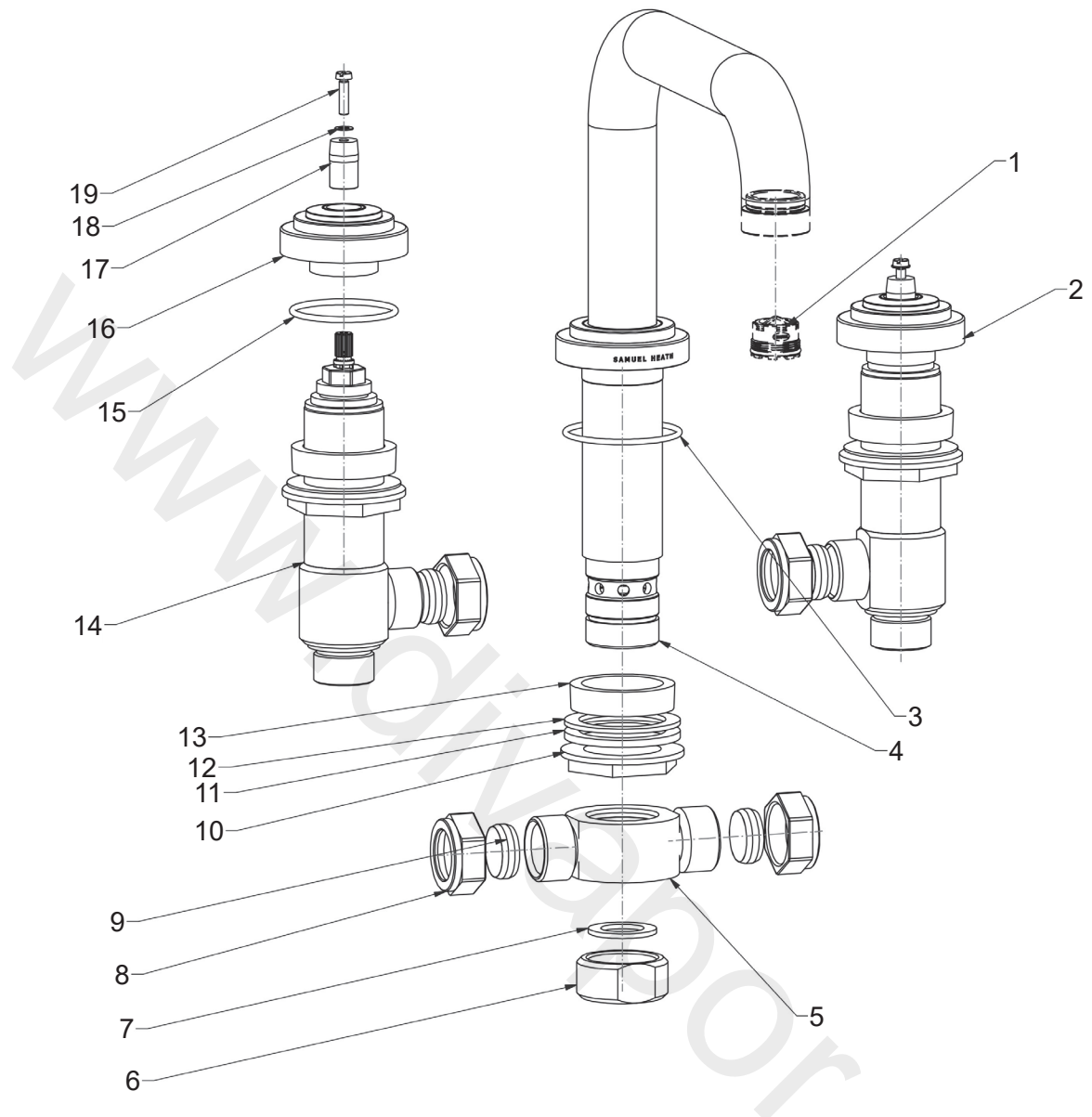
Flow Rates



The flow rate data provided in this document is indicative of each product and is given in an open outlet condition. Installation design, external connections and fittings not supplied may affect the data provided.

Spares Information

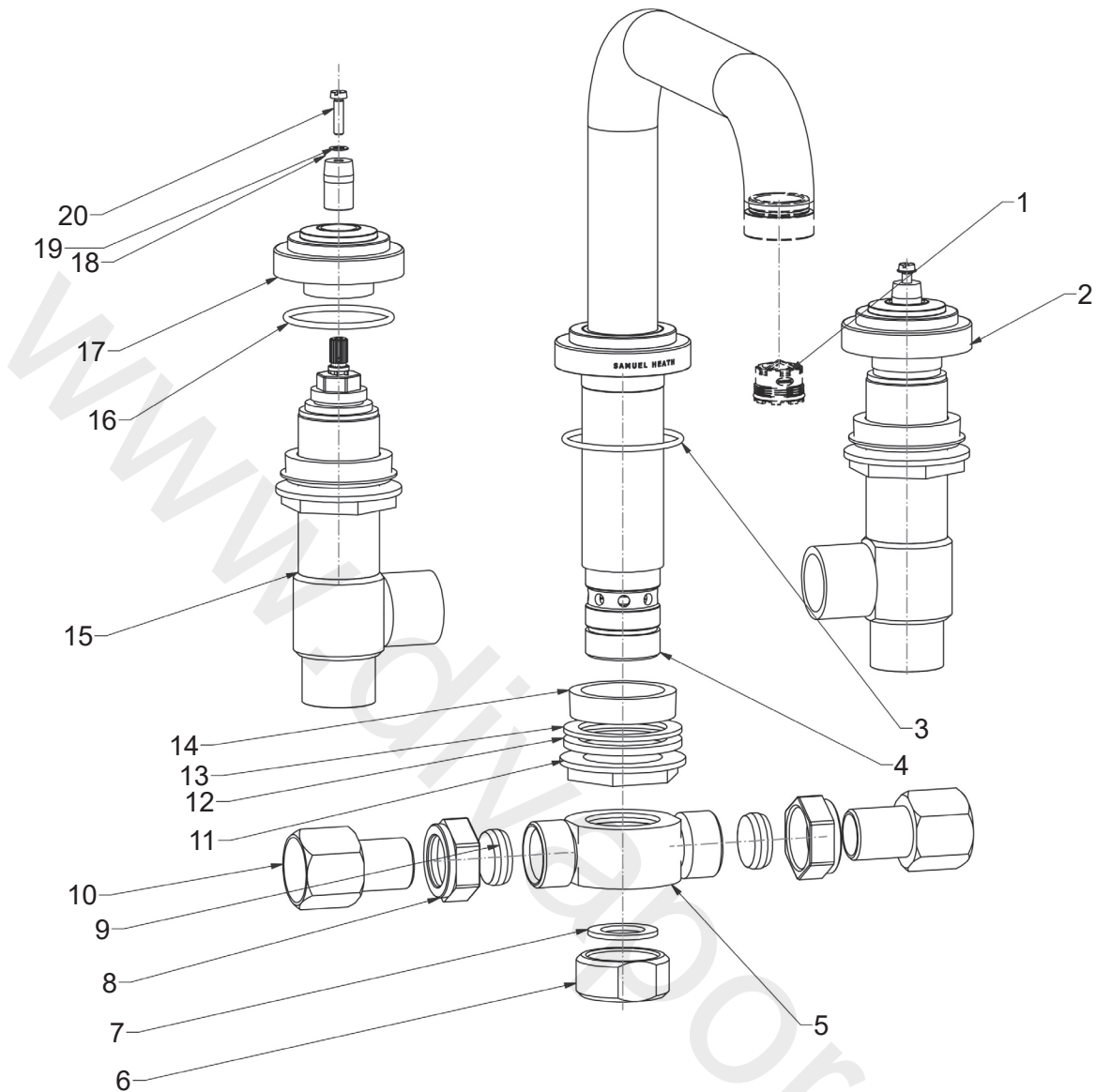
V744



Item	Part No.	Description	Item	Part No.	Description
1	-	Flow Straightener	11	-	Washer
2	VS56090	CD Valve (Anti-Clockwise Closing)	12	-	Washer
3	-	O-Ring	13	-	Spacer
4	-	Spout Assembly	14	VS56091	CD Valve (Clockwise Closing)
5	-	Manifold	15	-	O-Ring
6	-	Blanking Nut	16	-	Escutcheon
7	-	Washer	17	-	Spindle
8	-	Nut	18	-	Washer
9	-	Olive	19	-	Screw
10	-	Back Nut			

Spares Information

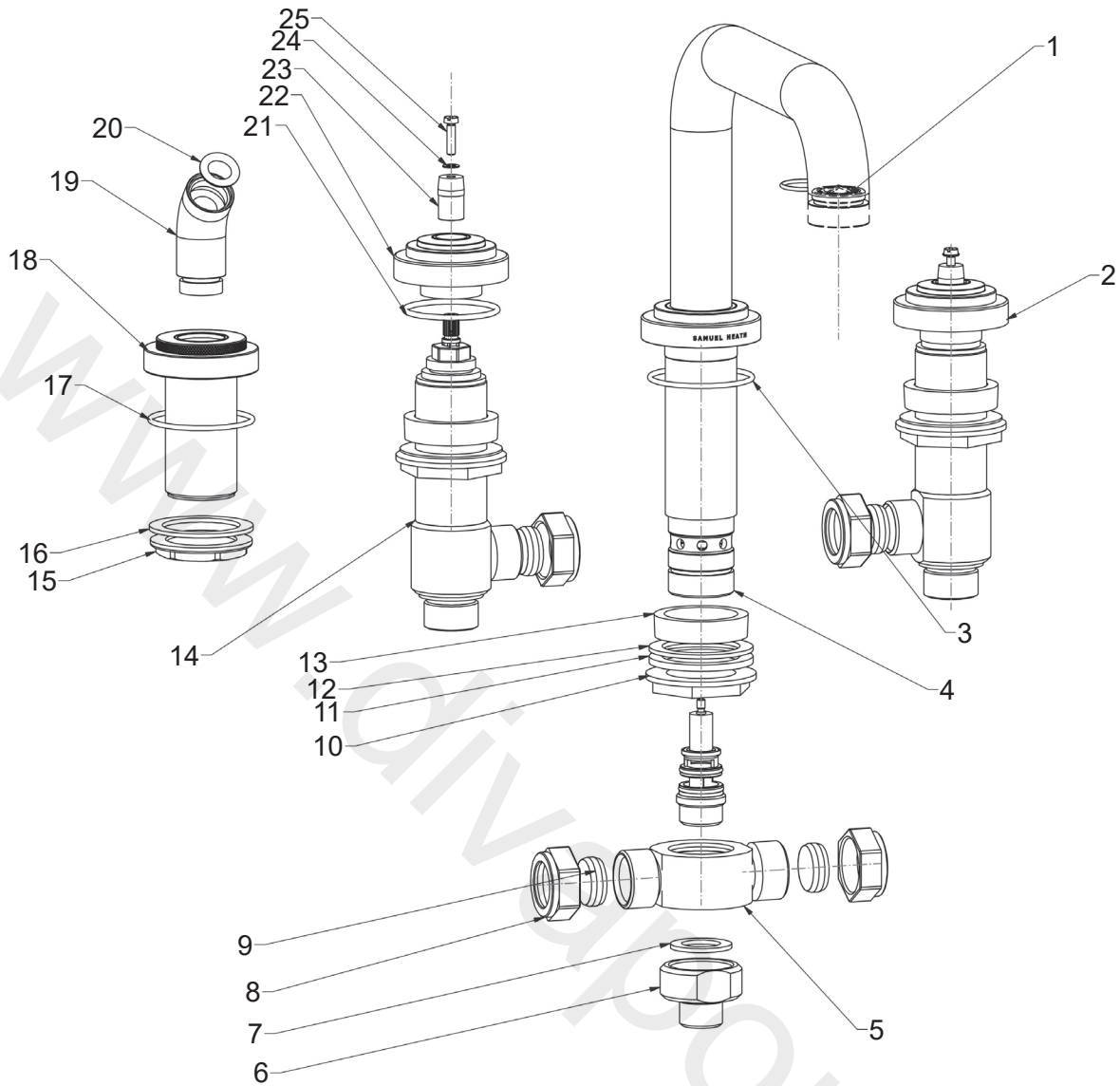
V744-A



Item	Part No.	Description	Item	Part No.	Description
1	-	Flow Straightener	11	-	Back Nut
2	VS56092	CD Valve (Anti-Clockwise Closing)	12	-	Washer
3	-	O-Ring	13	-	Washer
4	-	Spout Assembly	14	-	Spacer
5	-	Manifold	15	VS56093	CD Valve (Clockwise Closing)
6	-	Blanking Nut	16	-	O-Ring
7	-	Washer	17	-	Escutcheon
8	-	Nut	18	-	Spindle
9	-	Olive	19	-	Washer
10	-	NPT Adapter	20	-	Screw

Spares Information

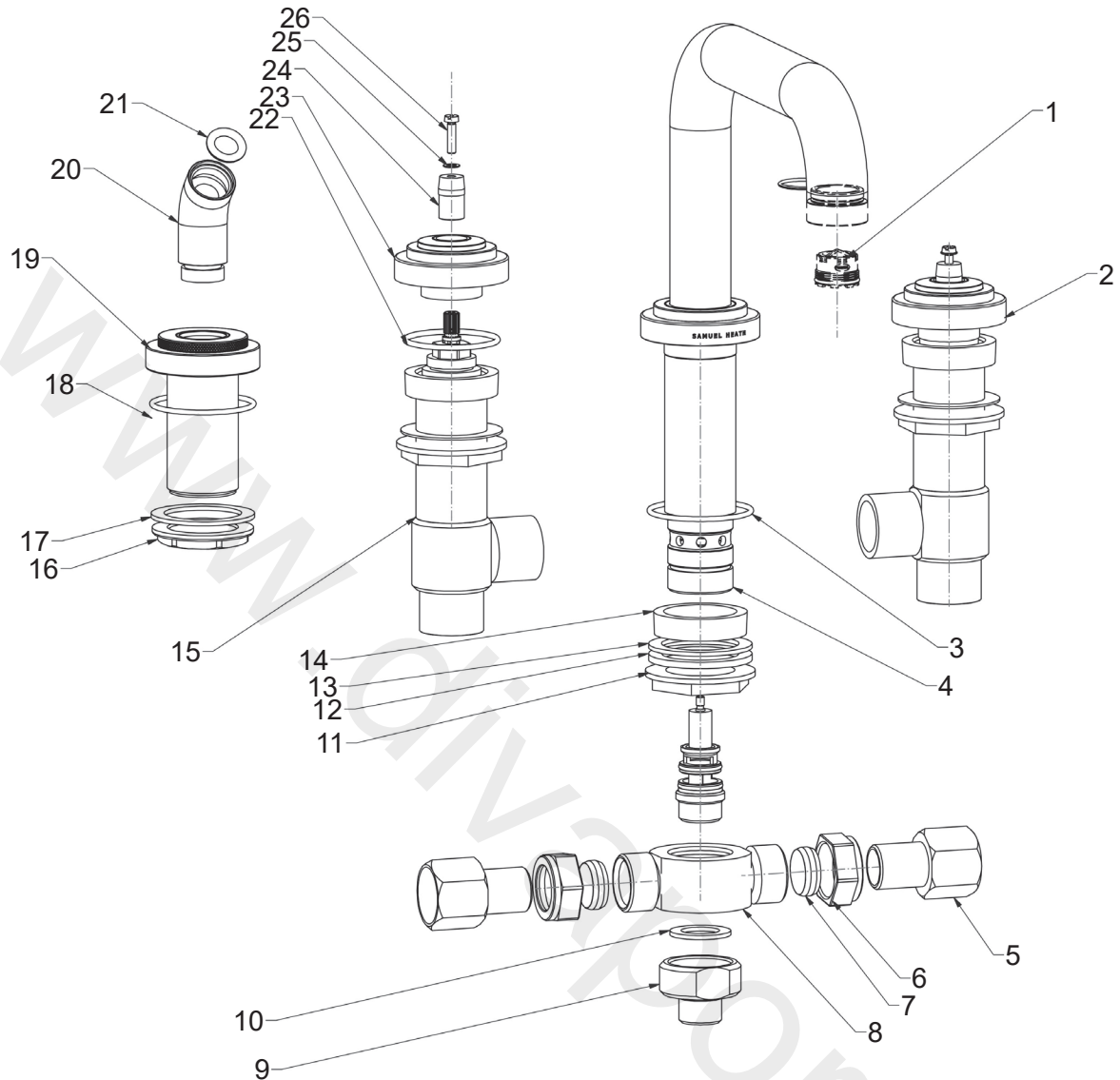
V748



Item	Part No.	Description	Item	Part No.	Description
1	-	Flow Straightener	14	VS56091	CD Valve
2	VS56090	CD Valve (Anti-Clockwise Closing)	15	-	Back Nut
3	-	O-Ring	16	-	Washer
4	-	Spout Assembly	17	-	O-Ring
5	-	Manifold	18	-	Handset Holder
6	-	Hose Outlet	19	-	Shower Arm
7	-	Washer	20	-	O-Ring
8	-	Nut	21	-	O-Ring
9	-	Olive	22	-	Escutcheon
10	-	Back Nut	23	-	Spindle
11	-	Washer	24	-	Washer
12	-	Washer	25	-	Screw
13	-	Spacer			

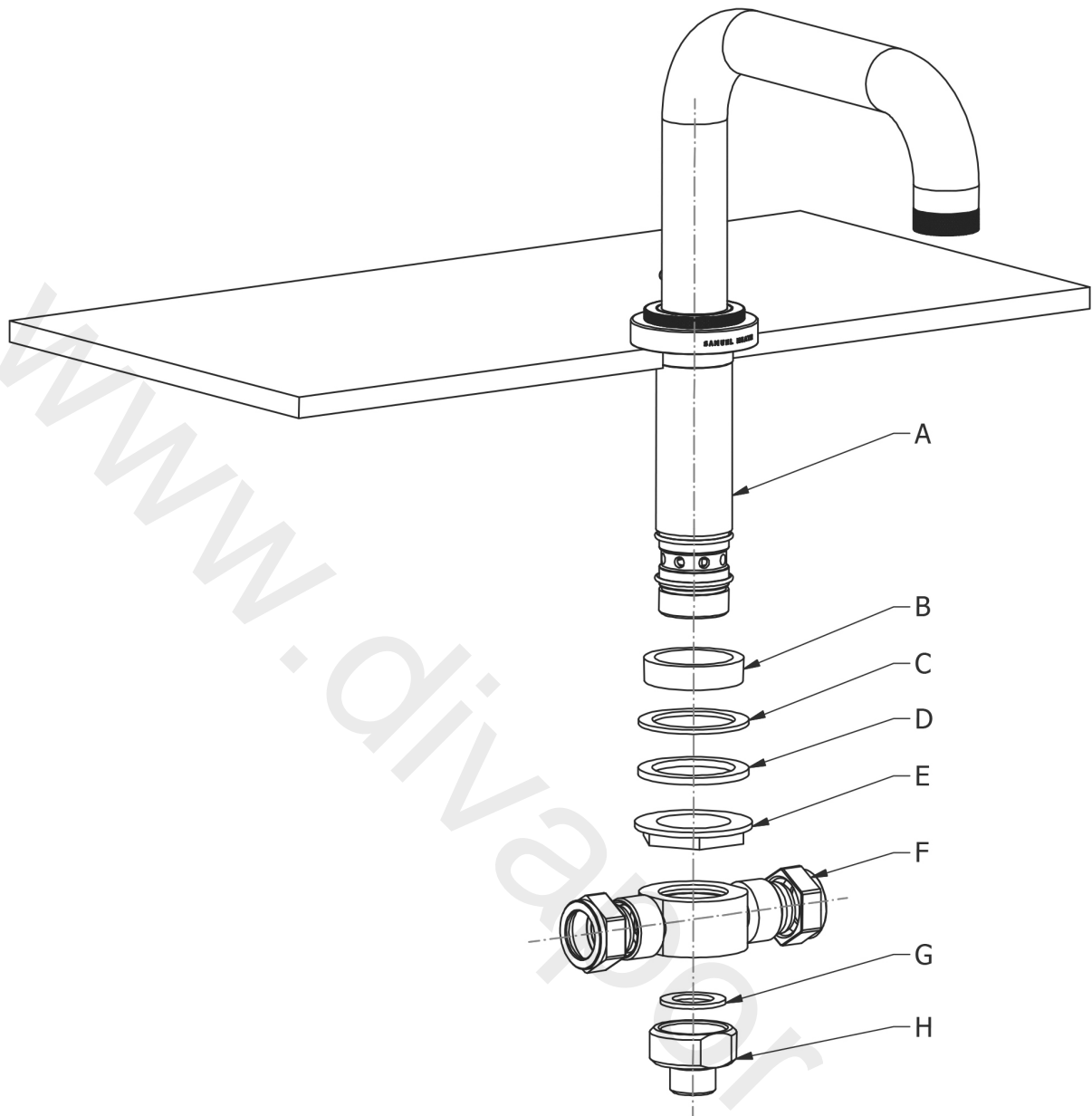
Spares Information

V748-A



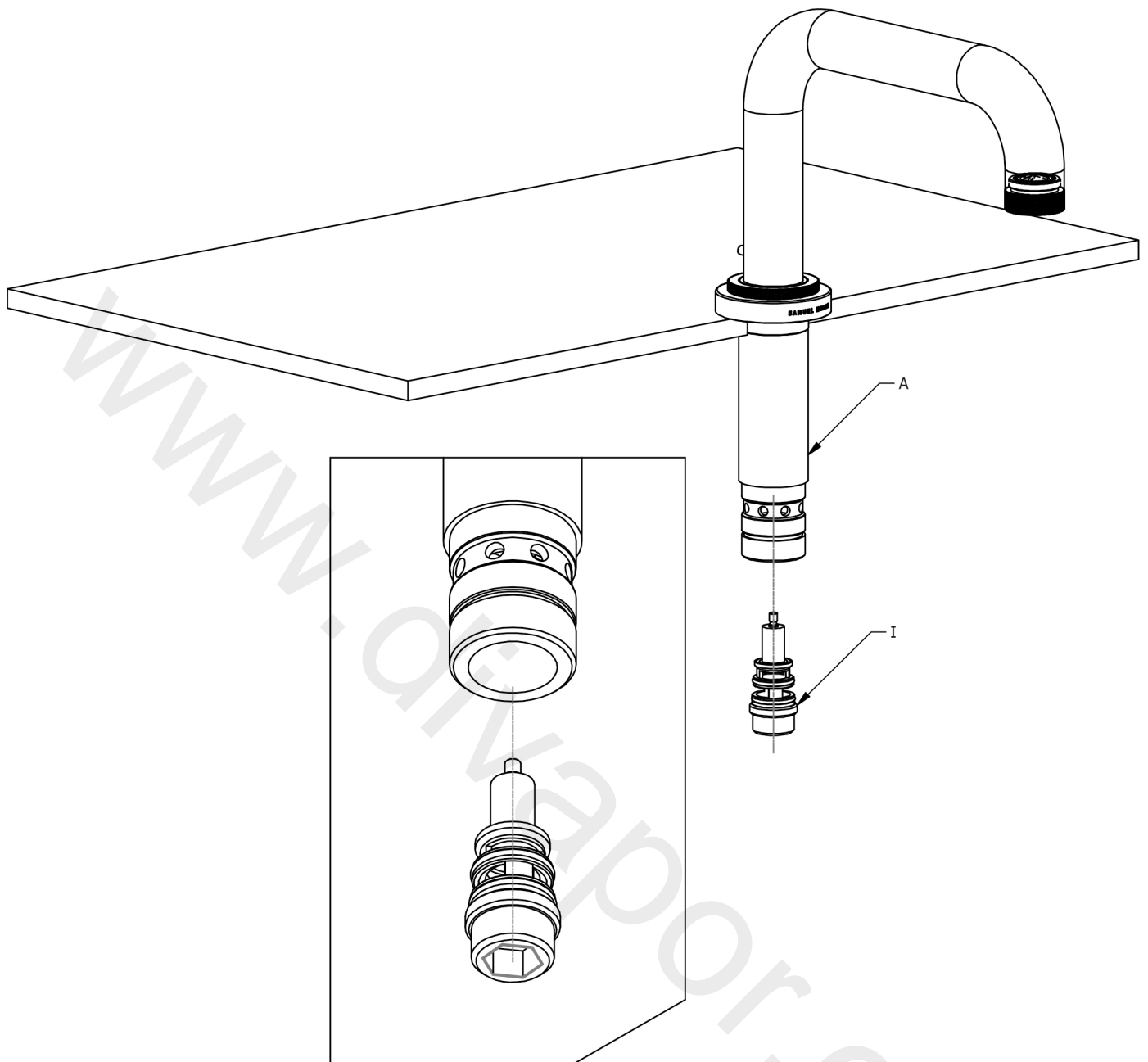
Item	Part No.	Description	Item	Part No.	Description
1	-	Flow Straightener	14	-	Spacer
2	VS56092	CD Valve (Anti-Clockwise Closing)	15	VS56093	CD Valve (Clockwise Closing)
3	-	O-Ring	16	-	Back Nut
4	-	Spout Assembly	17	-	Washer
5	-	NPT Adapter	18	-	O-Ring
6	-	Nut	19	-	Handset Holder
7	-	Olive	20	-	Shower Arm
8	-	Manifold	21	-	O-Ring
9	-	Hose Outlet	22	-	O-Ring
10	-	Washer	23	-	Escutcheon
11	-	Back nut	24	-	Spindle
12	-	Washer	25	-	Washer
13	-	Washer	26	-	Screw

Installation



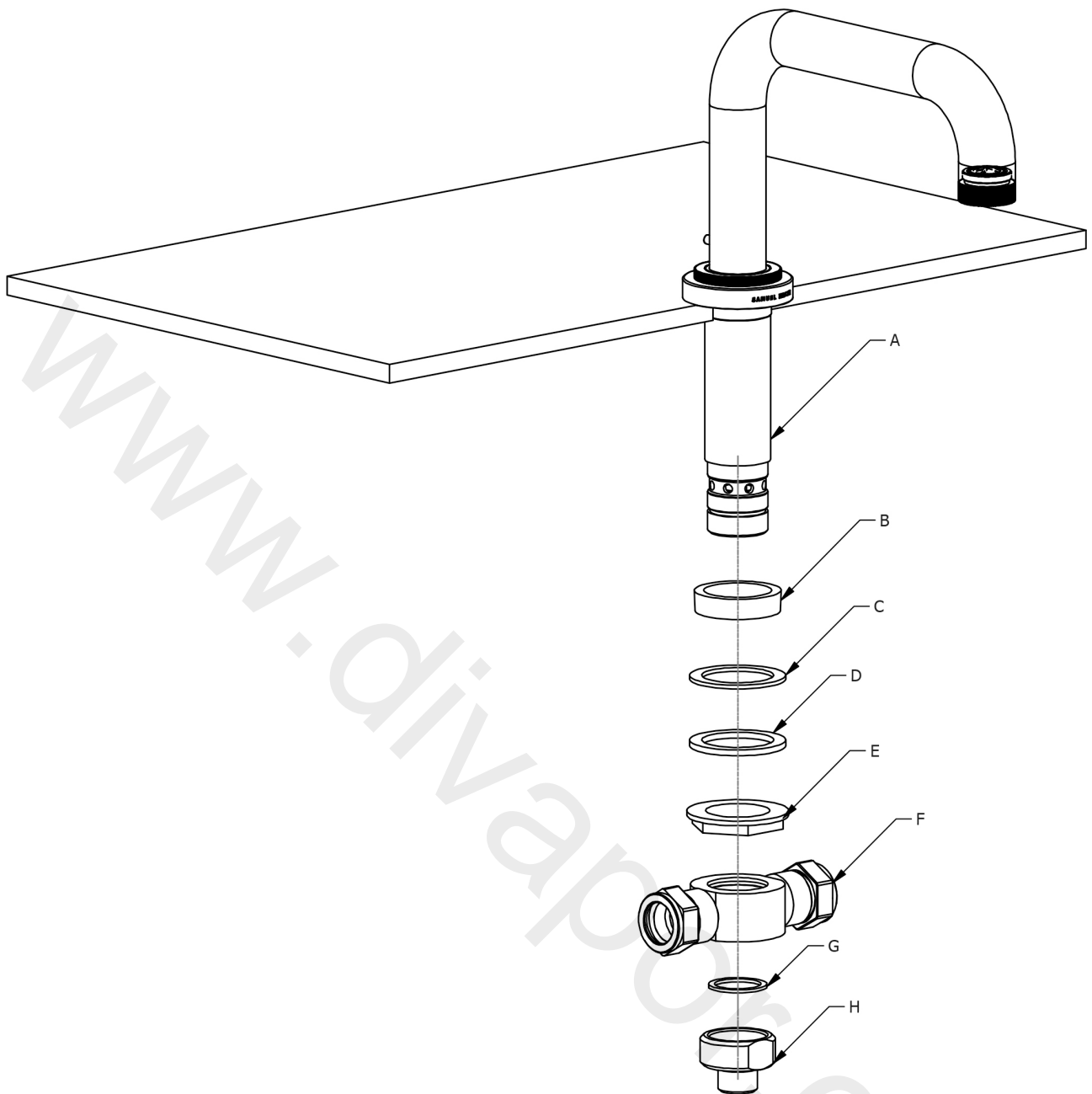
1. Remove all parts labelled (B to H) from spout assembly (A).
2. Lower spout assembly (A) through hole in deck.
3. Under deck thread; spacer (B), washers (C & D) and back nut (E) onto the spout assembly.
4. Push manifold (F) onto the bottom of the spout assembly (A) and secure using washer (G) and hose outlet (H).

Replacing the Diverter



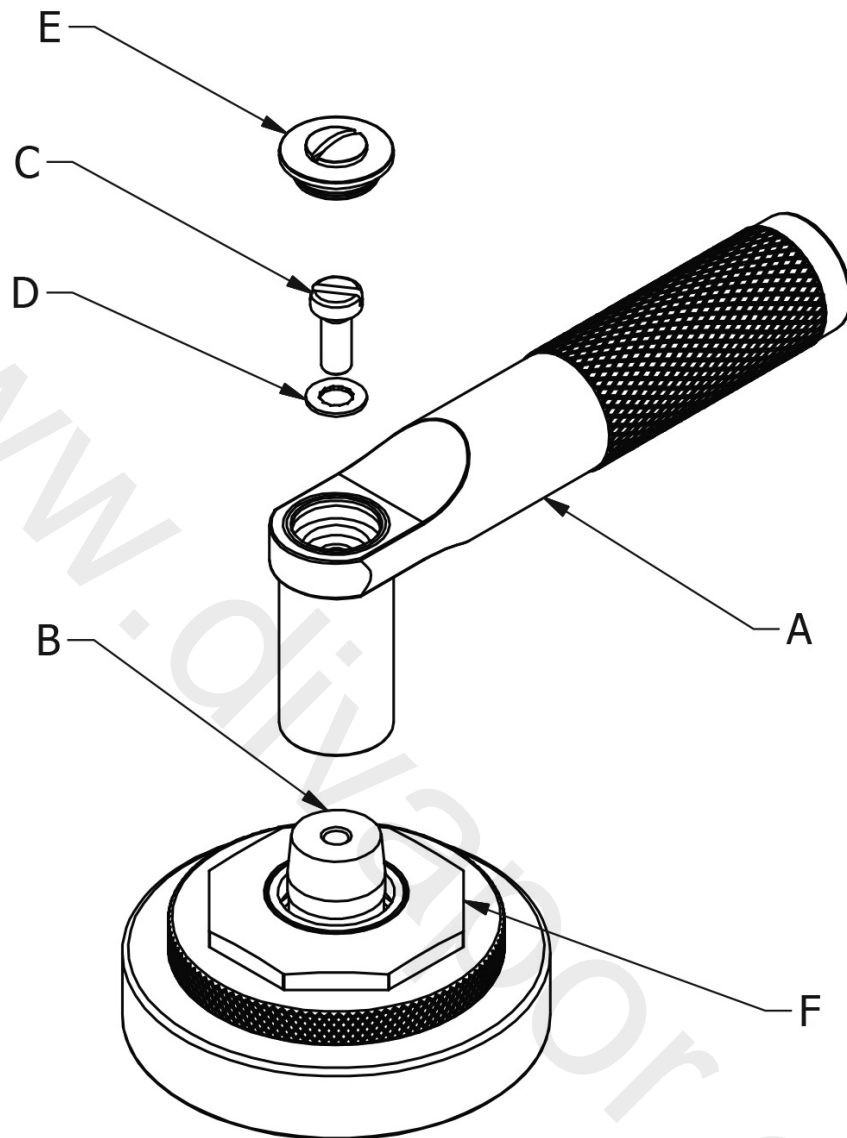
1. Remove all parts labelled (B to H) from spout assembly (A) - see *previous page*.
2. Using an Allen key to access the female hexagon (highlighted), unscrew & remove the faulty diverter (I) from spout tail (A).
3. Using the same Allen key, screw the new diverter (I) into spout tail (A).

Replacing the Diverter



4. Re-assemble spacer (B), washers (C and D) and back nut (E) onto the spout assembly (A).
5. Push manifold (F) onto the bottom of the spout tail (A) and secure using washer (G) and hose outlet (H).

Control Assembly Instructions



1. Screw handle (A) onto spindle (B) using screw (C) and washer (D)
2. Push indice (E) into the handle option (A) to conceal the fixing

Note: The taper on the spindle (B) will lock into the female taper in the handle option (A).

To remove the handle option (A) remove the screw (C) and washer (D). The handle option (A) has an M5 thread through its central fixing hole, by screwing an M5 screw into this it will push the handle option (A) and the spindle (B) apart.

IMPORTANT NOTES

1. Installation should be carried out by a competent engineer, in accordance with water regulations.
2. Before installation, ensure supply pipes are flushed clean. Debris or loose particles will affect the efficiency of the ceramic disc cartridge.
3. For mixer taps, it is recommended that hot & cold pressures are equally balanced.
4. To help maintain the high quality finish, please clean with a soft damp cloth. Do not use abrasive polish or cleaners. Stains may be removed using undiluted washing up liquid.
5. Ceramic cartridges in hard water areas. To prolong the lifespan and reduce servicing periods of your Samuel Heath tap we recommend that a suitable water softener be fitted. Consult your installer/designer for details.
6. Please note that as with all tap and shower ware it will be necessary from time to time for the products to be serviced, this should be carried out by a qualified Plumbing Engineer.

NOTES IMPORTANTES

1. L'installation doit être faite par un ingénieur qualifié, selon les règlements du Service Eau.
2. Avant l'installation, il faut s'assurer que les tuyaux d'approvisionnement sont complètement purgés. Les déchets flottants auront un effet détrimentaire sur l'efficacité de la cartouche céramique.
3. Il est recommandé que les pressions de l'eau chaude et eau froide des mitigeurs et mélangeurs soient maintenues à un niveau égal.
4. Pour conserver la finition de haute qualité, nettoyer avec un chiffon doux et humide. N'employer jamais de la cire et des produits abrasifs. Les tâches peuvent être enlevées à l'aide de liquide vaisselle pur.
5. Cartouches en céramique dans les régions à eau calcaire. Pour prolonger la durée et réduire l'entretien de votre robinetterie Samuel Heath, nous recommandons d'utiliser un adoucisseur d'eau convenable. Veuillez consulter votre installateur/fournisseur pour plus de renseignements.
6. Veuillez noter qu'un entretien sera nécessaire de temps en temps et doit être effectué par un installateur qualifié.

WICHTIGE HINWEISE

1. Installation sollte durch einen kompetenten Fachmann und nach den üblichen Vorschriften ausgeführt werden.
2. Vor Installation Wasserleitung gründlich durchspülen. Verschmutzung wird die Funktion der Kartusche erheblich einschränken.
3. Für Mischbatterien ist es wichtig, daß Wasser mit gleichem Druck eingeführt wird.
4. Um den optimalen Zustand dieses Produktes zu erhalten, wischen Sie es bitte nur mit einem feuchten, weichen Lappen ab. Auf keinen Fall Scheuermittel verwenden. Flecken lassen sich mit unverdünntem Geschirrspülmittel entfernen.
5. Keramikkartuschen in Hartwasserbereichen. Um die Lebensdauer zu verlängern und Wartungszeiten zu reduzieren empfiehlt Samuel Heath den Einsatz eines geeigneten Wasserenthärter. Fragen Sie Ihren Installateur/Designer um Rat.
6. Bitte merken Sie, dass alle Armaturen ab und zu eine Wartung brauchen. Diese soll durch einen kompetenten Installateur ausgeführt werden.

ATENCION

1. La instalación se debe realizar por un fontanero.
2. Antes de la instalación, deben pulgar las tuberías dejando correr el agua por las tuberías para que arrastren los residuos de montaje/obra, con el motivo de que no afecte la eficacia del cartucho de cerámica.
3. Para grupo baño/ducha se recomienda que las presiones del agua caliente y frío sean equilibradas.
4. Para ayudar a mantener el acabado de este producto, limpiar con un paño húmedo suave. No se debe emplear productos abrasivos de baño. Las manchas se pueden quitar empleando líquido lava-vajillas puro.
5. Cartuchos cerámicos en áreas de aguas duras. Para prolongar su vida útil y reducir los periodos de reparación de su grifo Samuel Heath recomendamos la instalación de un descalcificador de agua. Consulte a su instalador para más detalles.
6. Igual que con todo tipo de grifería y duchas, de vez en cuando será necesario llevar a cabo una revisión al producto; esto debería ser realizado por un fontanero calificado.

ATTENZIONE

1. L'impianto deve essere montato da personale tecnico in conformità alle vigenti leggi.
2. Prima dell'installazione assicurarsi che le tubature dell'acqua siano pulite. Detriti o residui di lavorazione compromettono l'efficienza del cartuccio.
3. Per i gruppi, si raccomanda che le pressioni acqua calda e acqua fredda siano ugualmente bilanciate.
4. Per mantenere la finizione di ottima qualità, pulire con un panno soffice e inumidito.
Non usare creme lucidanti e materiali abrasivi. Le macchie potranno essere tolte usando del detersivo per piatti puro.
5. Come con tutti i tipi di rubinetti e docce, di volta in volta è necessario effettuare una revisione al prodotto; questo dovrebbe essere fatto da un idraulico qualificato.

SAMUEL HEATH

Head Office and Customer Service

Leopold Street
Birmingham
England
B12 0UJ

T: +44 (0)121 766 4200
F: +44 (0)121 772 3334

Info@samuel-heath.com
www.samuel-heath.co.uk

US Customer Service

usa@samuel-heath.com
Federal I.D. No. 58-1504682
www.samuel-heath.com

8-40476
Issue: D