

Feed the tails through the barrel thread and hand tighten into the tap. Fit the tap in the desired location using the locking nut and accompanying screws.

| Fitting | Description                                                                          |
|---------|--------------------------------------------------------------------------------------|
| I       | Pre-Installed Silicone Hose Connects to Barb Fitting on Boiler Tank with Fixing Clip |
| B       | Flexi Hose (Blue Stripe (Water to Boiler)) Connected 'To' Filter                     |
| C       | Flexi Hose (Blue Stripe (Max 3Bar)) Connected to Incoming Main Cold                  |
| H       | Flexi Hose (Red Stripe (Max 3Bar)) Connected to Incoming Domestic Hot                |

### **General care instructions for all kitchen tap finishes**

Dry completely with a soft cloth after each use.

Clean regularly with warm water or a mild pH-neutral liquid soap and then polish with a clean, soft, lint-free cloth. A Microfibre cloth is ideal as it is gentle but effective for cleaning without scratching and needs only to be dampened with water to clean the product.

Avoid getting household bleach or cleaners on to your fittings when using on surrounding surfaces. Any splashes should be immediately rinsed with clean water and dried and should not be allowed to remain on the metal finishes.

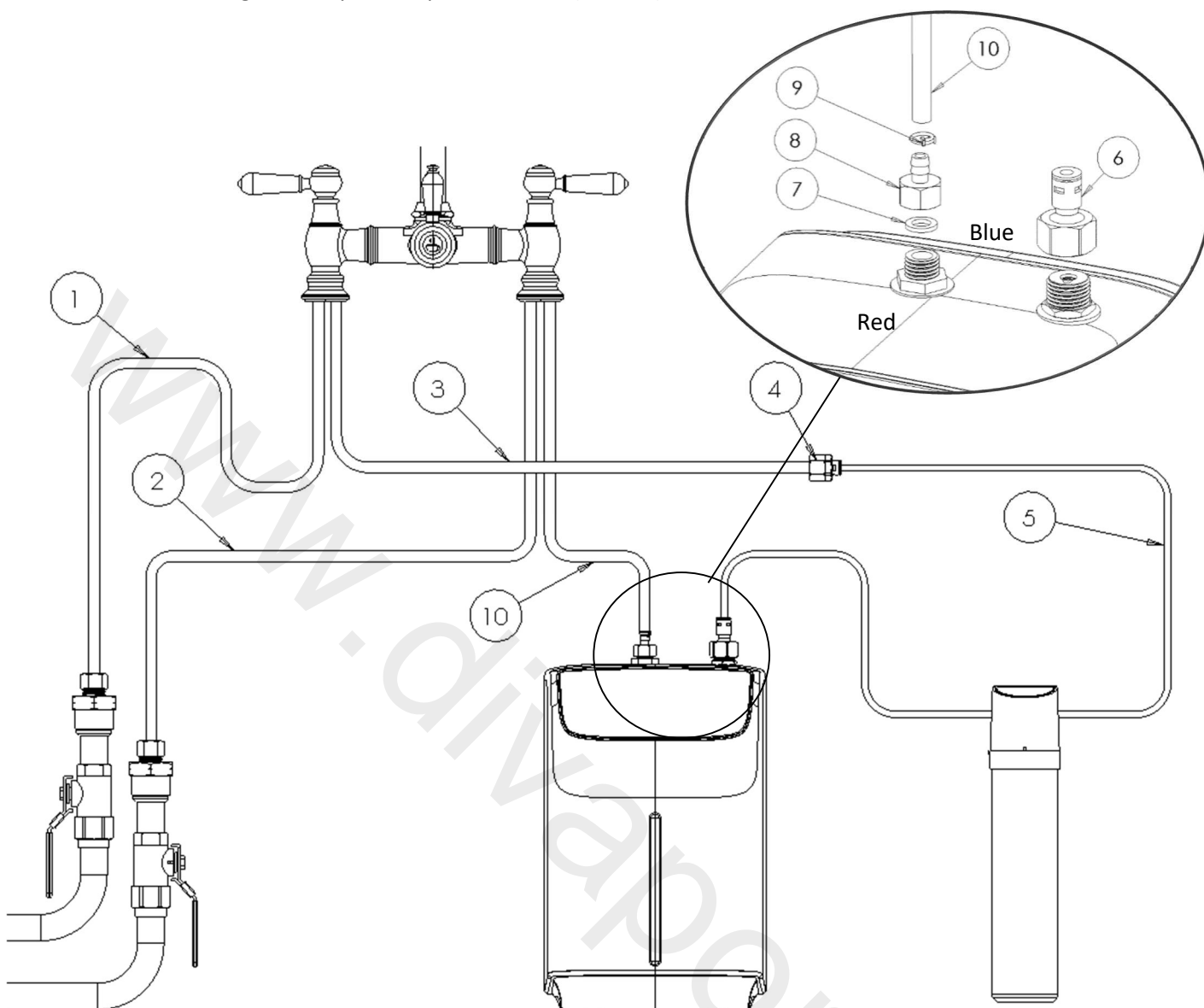
Under no circumstances should harsh cleaning agents containing acidic, caustic, or abrasive components such as bleach, alcohol or vinegar-based substances be used.

Do not use abrasive cloths, scouring pads, scrub sponges, steel wool etc. as they may damage the surface.

To avoid dye and 'patterning' transfer from wet cloths, avoid hanging them over the spout of the tap. Porous surfaces such as nickel and pewter may be affected by chemicals in or on the cloth.

**Failure to Follow These Instructions Could Invalidate Your Warranty**

For servicing purposes, the services provided by the customer should have means of isolation. These should terminate with 1/2" BSP male fittings to accept the tap flexible tails (1 and 2).



| No. | Description                                                                           | QTY | Packed with |
|-----|---------------------------------------------------------------------------------------|-----|-------------|
| 1   | Flexi Hose (Blue Stripe (Max 3Bar)) Connected To 'C' on Tap then Incoming Main Cold   | 1   | Tap         |
| 2   | Flexi Hose (Red Stripe (Max 3Bar)) Connected To 'H' on Tap then Incoming Domestic Hot | 1   | Tap         |
| 3   | Flexi Hose (Blue Stripe (Water to Boiler)) Connected To 'O' on Tap then Fitting '4'   | 1   | Tap         |
| 4   | 1/2" Male BSP to 6mm Push Fit                                                         | 1   | Filter      |
| 5   | 1m-6mm PE Pipe (To Cut)                                                               | 1m  | Filter      |
| 6   | 1/2" Female BSP to 6mm Push Fit                                                       | 1   | Filter      |
| 7   | Silicone Washer                                                                       | 1   | Boiler Tank |
| 8   | 3/8" to Barb                                                                          | 1   | Boiler Tank |
| 9   | Fixing Clip                                                                           | 1   | Tap         |
| 10  | Pre-Installed Silicone Hose                                                           | 1   | Tap         |

A switched socket outlet is required to power up the boiler tank, this must be fitted in accordance with the current IEE Wiring Regulations.