

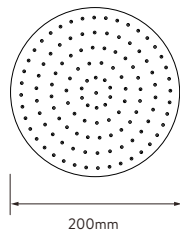
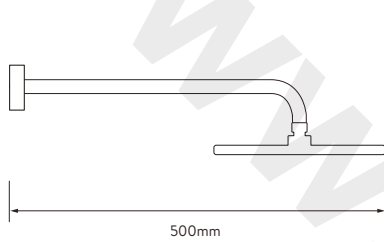
AQUALISA VISAGE Q™

VSQ.A1.BV.
DVFW.20

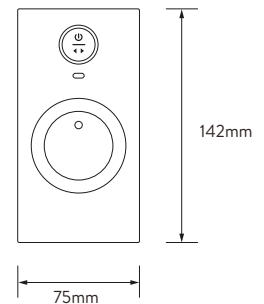
WITH ADJUSTABLE HEAD AND WALL FIXED DRENCHER - HP/COMBI

DIMENSIONAL DRAWINGS

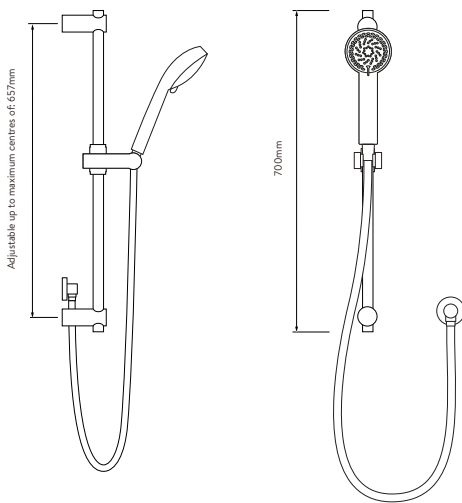
FIXED WALL DRENCHER



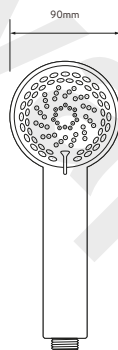
CONTROLLER



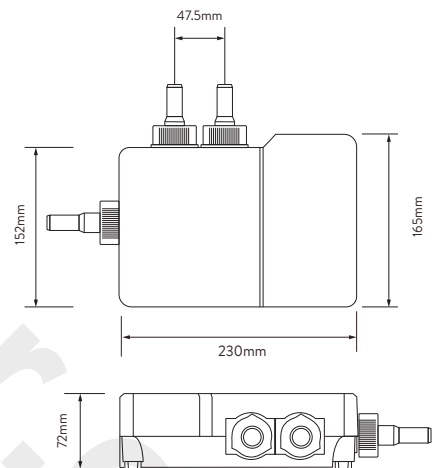
SHOWER RAIL KIT



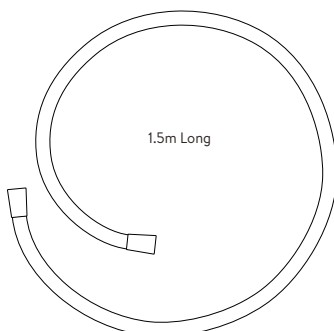
SHOWER HEAD



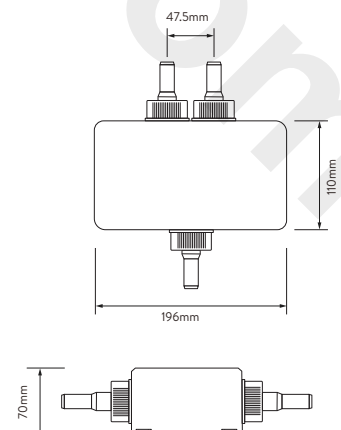
AQUALISA SMARTVALVE™



SHOWER HOSE



DIVERTER



AQUALISA

VISAGE Q™

VSQ.A1.BV.
DVFW.20

WITH ADJUSTABLE HEAD AND WALL FIXED DRENCHER - HP/COMBI

TECHNICAL SPECIFICATIONS

| | |
|--|---|
| Minimum pressure requirements | 1 bar |
| Maximum pressure requirements | 7 bar |
| Aqualisa SmartValve™ inlet fitting connections | 15mm push fit fittings, valve inlet centres 48mm, inlet supply positions – hot right, cold left |
| Aqualisa SmartValve™ and diverter outlet connections | 15mm push fit |
| Permissible Aqualisa SmartValve™ and diverter siting locations | Loft, airing cupboard, under bath |
| Supply temperature | Cold inlet temperature 1°C (minimum) Cold inlet temperature 15°C (maximum) Hot inlet temperature 65°C (maximum) |
| Water system | HP / Combi / Boosted gravity |
| Blended outlet temperature settings | Factory mid set blend temperature 45°C, adjustable temperature setting – minimum 35°C, maximum 55°C |
| Electrical requirements - SmartValve™ to mains | Switched fused spur 3amp, processor main cable length 2m, required voltage 230 – 240V |
| Electrical requirements - Controller to SmartValve™ | Low voltage data cable length 10m |
| Electrical requirements - Diverter to SmartValve™ | Low voltage data cable length 2m |
| Data cable voltage | 5V |
| Features | One touch start/stop control |
| | LED display indicates when pre-selected temperature has been reached |
| | Wi-Fi & App compatible – control your product with your smart phone and smart home device e.g. Alexa |
| | App functions include start/stop, shower timer, user dashboard, usage tracker and help & support |
| | Aqualisa SmartValve™ |
| | Digital diverter technology |
| | 90mm, 4 spray patterns, including an eco-setting |
| Guarantee period | Compatible with wired remote control |
| | 5-year guarantee - shower unit |
| Approvals | 2-year guarantee - shower head and kit |
| | CE Marking |
| | BEAB |