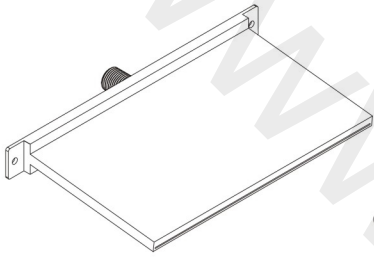


Bath Waterfall Filler

The list is as follows:

NOTE: FLEXIBLE HOSE NOT INCLUDE

Minimum water pressure 2bar



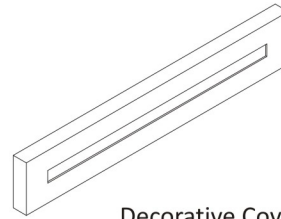
Main body of Bath Waterfall Filler (1 PCS)



Screws and plastic expansion screw (2 PCS)



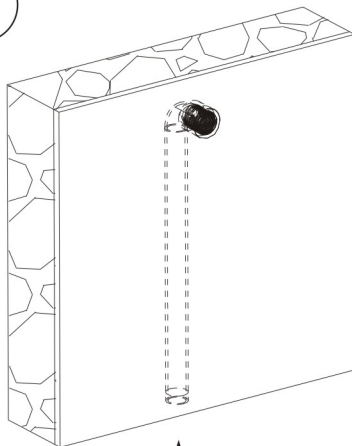
Magnet (2 PCS)



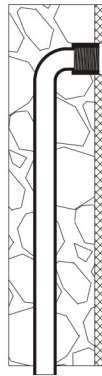
Decorative Cover (1 PCS)

Note: two sides of inside decorative cover have magnet

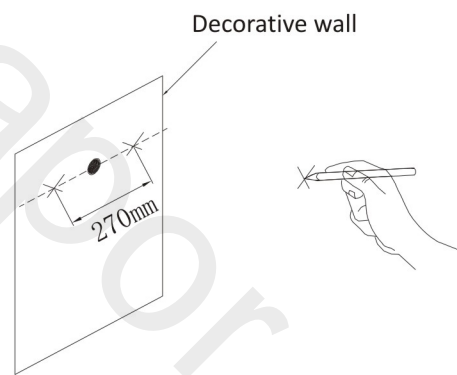
1



Inlet part



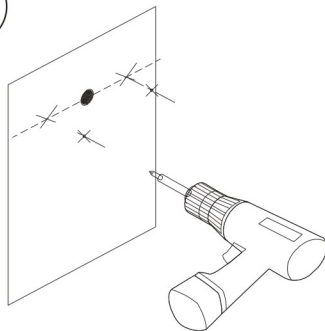
2



Decorative wall

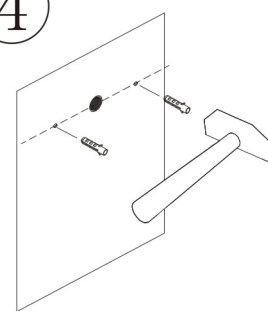
Mark where bath waterfall filler installed
Keep the fixed position in line with the center of outlet port

3



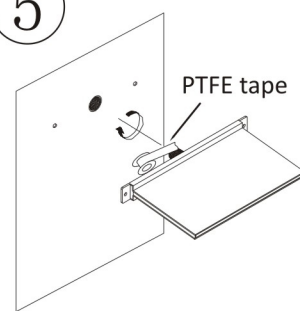
Drill

4



Knock in plastic expansion screw

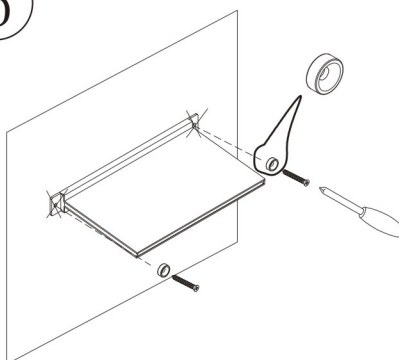
5



PTFE tape

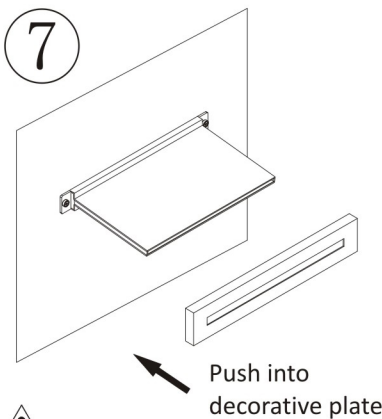
Wrap the PTFE tape around the water inlet joint of waterfall filler and screw it into G1/2 water inlet port. (please test and check sealing after completion)

6



Fixed Bath Waterfall Filler
(Note direction of Magnet)

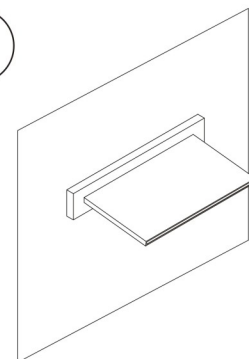
7



Push into decorative plate

Install carefully to avoid damaging the surface
Note: the magnet in the decorative plate is attracted to the magnet fixed on the waterfall filler

8



Complete the installation