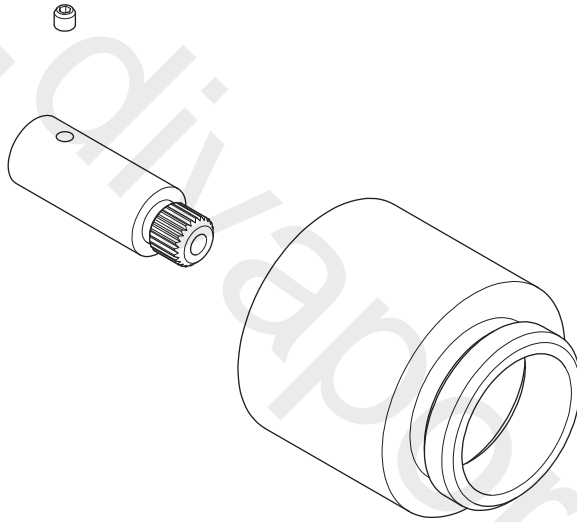


# WFV 9900

## 25MM EXTENSION KIT FOR 5000 SERIES WALL VALVES INSTALLATION GUIDE

---



---

LEFROY BROOKS

## SUITABILITY

This extension kit is for use with:

### FLOW VALVES

- 5000 – Plain wall plate
- 5001 – 'Bath' wall plate
- 5002 – 'Jets' wall plate
- 5003 – 'Head' wall plate
- 5004 – 'Hand' wall plate

### WALL VALVES (HOT & COLD)

#### Handwheels

- CH – PWV009
- DH – PWV072
- FH – PWV020
- JH – PWV064
- LB – PWV013 (Bath)
- LB – PWV001 (Basin)
- LS – PWV062
- MH – PWV011
- TH – PWV068

#### Levers

- BL – PWV005
- CL – PWV010
- CR – PWV058
- DL – PWV074
- FB – PWV056
- FL – PWV049
- FM – PWV054
- FW – PWV052
- JL – PWV066
- MB – PWV060
- ML – PWV012
- MTL – PWV085
- TL – PWV070
- WL – PWV002

PLEASE NOTE: This extension kit is NOT SUITABLE for BELLE AIRE models

## IMPORTANT INFORMATION

### **Professional installation**

We recommend that our products are fitted by a fully qualified professional plumber. They should be installed correctly and in accordance with all local water regulations. All products and connections should be accessible for routine servicing.

### **About this kit (Flow valves only)**

The standard concealed flow valves are designed to allow up to 100mm wall thickness, this extension kit will enable you to increase the wall thickness to a maximum of 125mm.

If you have a wall cavity deeper than 100mm to conceal the valve, we recommend the valve is secured to a wooden baton on the mounting wall to reduce the cavity depth (or fit this extension kit to extend the shower valve by 25mm).

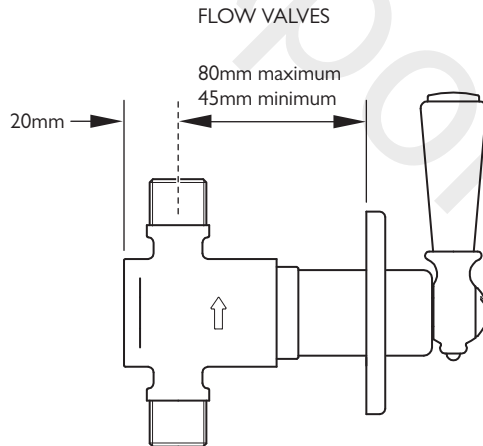
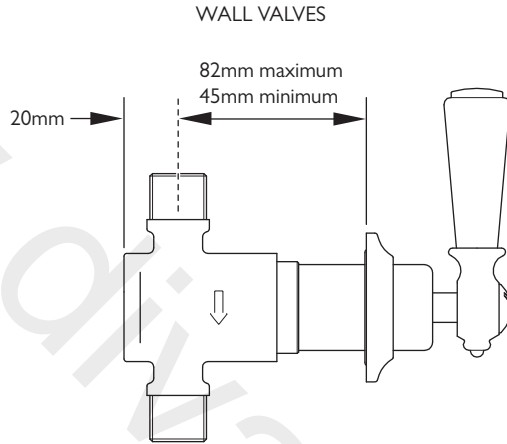
### **About this kit (Wall valves only)**

The standard concealed wall valves are designed to allow up to 102mm wall thickness, this extension kit will enable you to increase the wall thickness to a maximum of 127mm.

If you have a wall cavity deeper than 102mm to conceal the valve, we recommend the valve is secured to a wooden baton on the mounting wall to reduce the cavity depth (or fit this extension kit to extend the shower valve by 25mm).

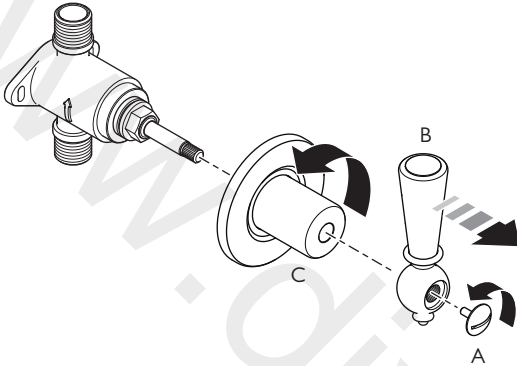
# DIMENSIONS OF 8800 MODEL WITH EXTENSION KIT FITTED

Extension kit indicated by shaded area. Shown with Godolphin (GD) model

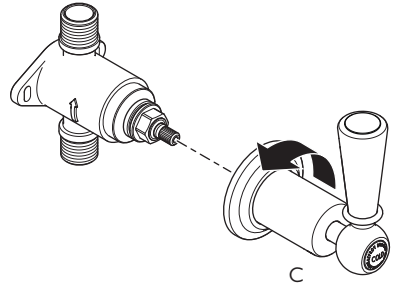


## PREPARATION

Exploded view of standard concealed valve. Shown with White lever (WL) model.



Flow valve with BL, WL or MTL lever



Wall valve with BL, WL or MTL lever

### BL, WL and MTL flow valve models only

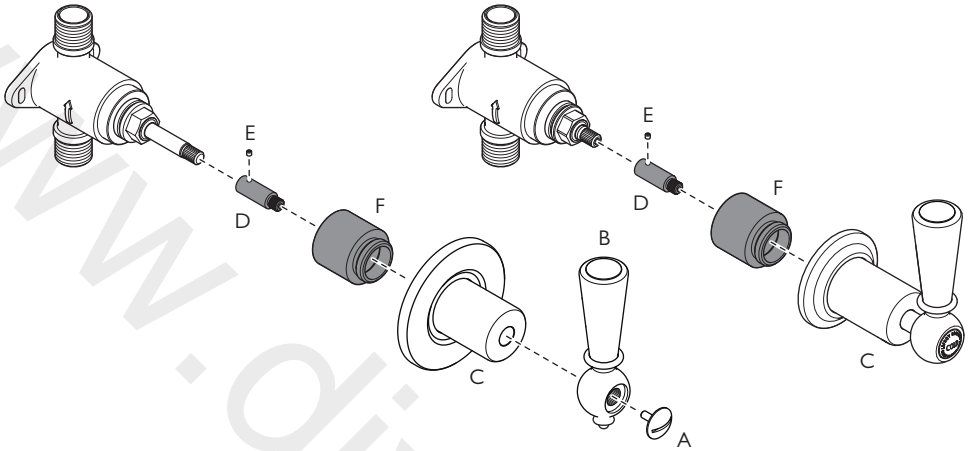
- 1 Unscrew and remove the fulcrum screw 'A' in a counterclockwise direction.
- 2 Pull the lever 'B' clear of the valve body.

### All models

- 3 Unscrew and remove the shroud 'C' in a counterclockwise direction. Wearing a rubber glove such as those used for washing up will improve grip. On wall valves the shroud forms part of the lever/handwheel assembly. The wall plate will remain attached to the shroud.

## INSTALLATION OF EXTENSION KIT

Exploded view of extended concealed valve. Shown with White lever (WL) model.



Flow valve with BL, WL or MTL lever

Wall valve with BL, WL or MTL lever

Extension kit components are shaded.

### All models

- 1 Locate the spindle extension 'D' to the flow cartridge and secure with set screw 'E' and a 1.5mm hexagonal key.
- 2 Screw the extension covers 'F' clockwise into the shroud 'C'. Screw this assembly on to the flow cartridge.

### BL, WL and MTL flow valve models only

- 3 Locate lever 'B' on to the cartridge spline(s) (check position of lever movement).
- 4 Secure the lever with fulcrum screw(s) 'A'.





CUSTOMER SUPPORT

+44 (0)1992 708 316

LEFROYBROOKS.CO.UK

---

Whilst every effort is made to ensure the accuracy of these, they are subject to change without notice as part of the company's product development process. The use of trademarks, product design and artwork is subject to licence or agreement with LBIP Ltd. The design registrations, trademark registrations and copyrights are protected by law and the use or reproduction outside the terms of an agreement is prohibited. The right to modify designs and dimensions is reserved. LBIP Ltd is a member of ACID (Anti Copying in Design).