



LEFROY BROOKS

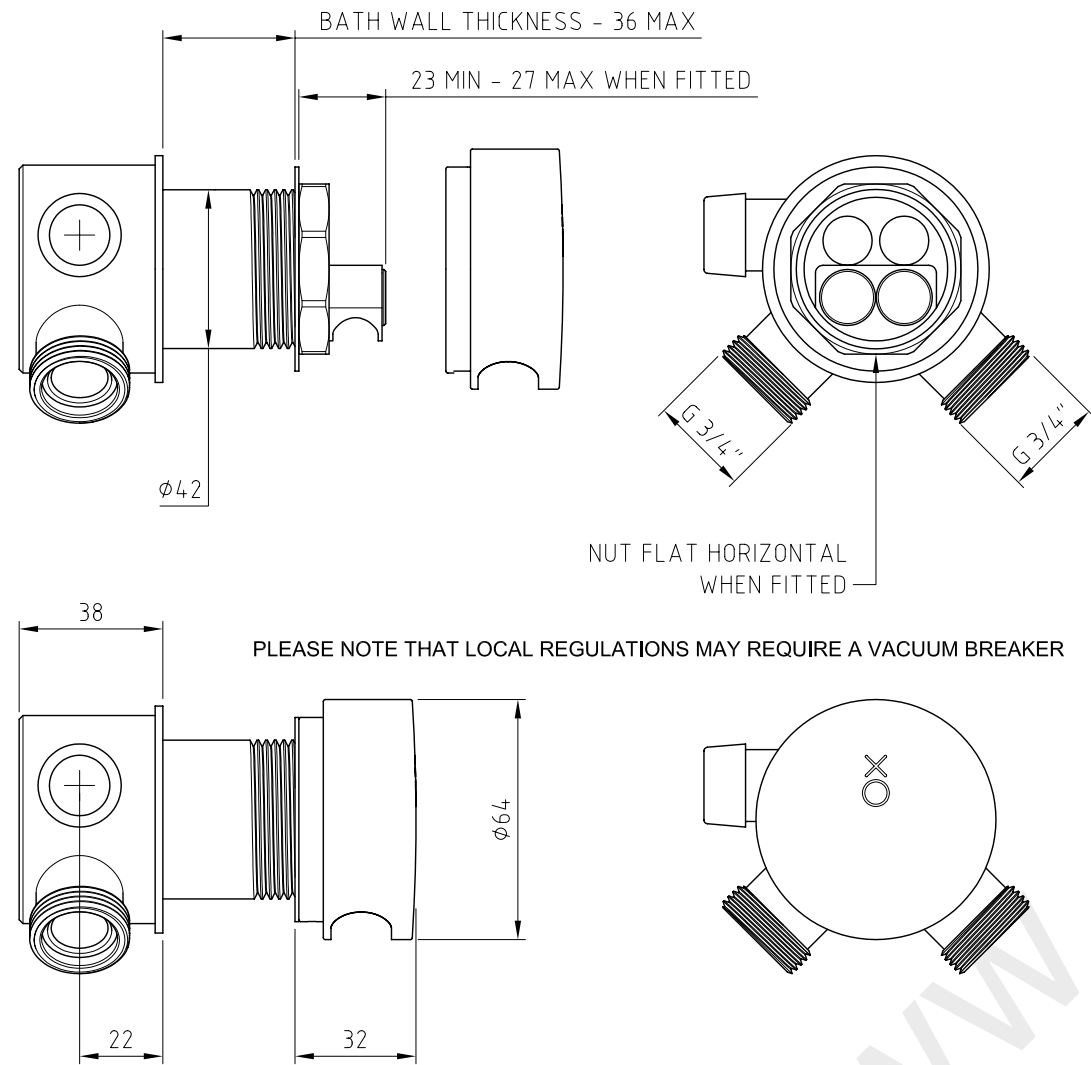
IBROC HOUSE ESSEX ROAD HODDESDON
HERTS EN11 0QS ENGLAND

XO4199

OVERFLOW/BATH FILL

DIMENSIONAL DATA SHEET

DATE 30 NOVEMBER 2001
NUMBER 30 069 4199 C



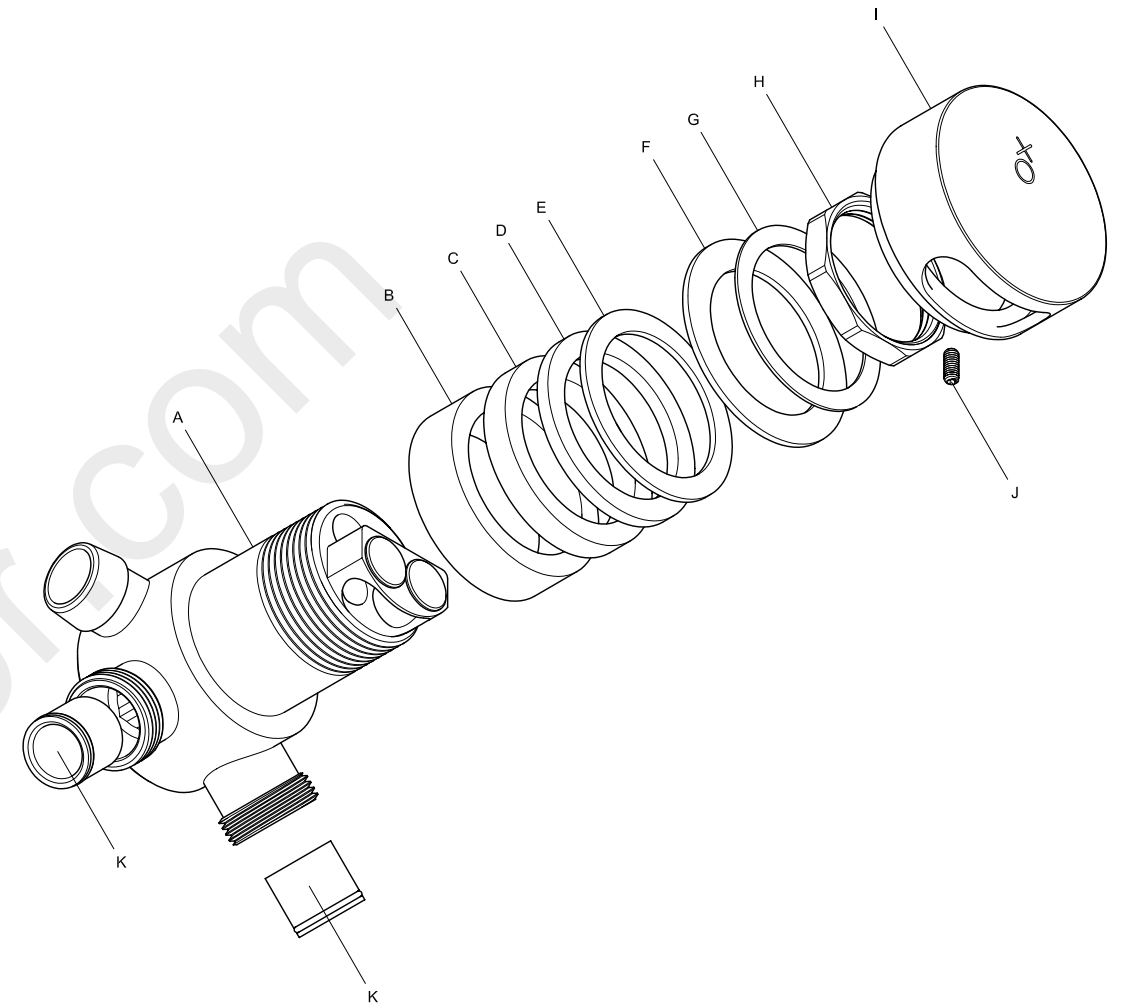
SPACER	THICKNESS NEEDED FOR ADDITIONAL SPACERS														
	2	4	6	8	10	12	14	16	18	20	22	24	26	28	30
2 mm															
4 mm															
8 mm															
16 mm															

DIMENSIONS IN MILLIMETRES

Whilst every effort is made to ensure the accuracy of these data they are subject to change without notice as part of the company's continuing product development process

XO4199

OVERFLOW/BATH FILL



- A 30 535 001 - BODY ASSEMBLY
- B 30 048 025 - 16 mm ACETAL SPACER
- C 30 048 024 - 8 mm ACETAL SPACER
- D 30 048 023 - 4 mm ACETAL SPACER
- E 30 048 022 - 2 mm ACETAL SPACER
- F 30 048 013 - GASKET
- G 30 048 012 - WASHER
- H 30 050 015 - NUT
- I 30 030 200 - COVER
- J ISO M4 X 4 SOCKET HEAD SET SCREW
- K CHECK VALVE - Ø20 X 18