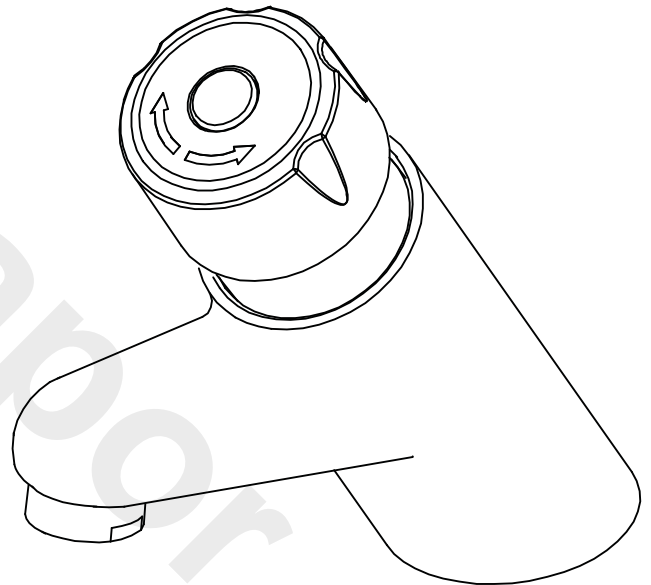


# BRISTAN

## Installation Instructions

Temperature Controlled  
Time Flow Tap



**Models covered:** Z TC 1/2 C

Please keep this booklet for future reference.

Installer, when you have read these instructions please ensure you leave them with the user.

# Contents

Thank you for choosing Bristan, the UK's leading taps and showers expert.

We have designed this product with your enjoyment in mind. To ensure that it works to its full potential, it needs to be fitted correctly. These fitting instructions have been created to give you all of the information you need and, if you need any further help, please do not hesitate to contact us.

Important Safety Information..... 3

Specifications ..... 4

Dimensions..... 5

Pack Contents ..... 6

Prior to Installation ..... 7

Installation..... 8



Operation ..... 9

Maintenance ..... 10-11

Troubleshooting..... 12-13

Guarantee ..... 14-15

# Important Safety Information

- Please read these instructions thoroughly and retain for future use.
- All products manufactured and supplied by Bristan are safe provided they are installed, used correctly and receive regular maintenance in accordance with these instructions.
- **If you are in any doubt about your ability to install this product safely you must employ the services of an experienced qualified plumber.**
- This fitting needs to be installed in accordance with, and meet the requirements of the Water Supply (Water Fittings) Regulations 1999 and Scottish Byelaws 2004.
- Remove all packaging and check the fitting for damage before starting installation.
-  **Warning:** Before starting any installation please consider the following: before drilling into walls, check that there are no hidden electrical wires, cables or water supply pipes. This can be checked with the aid of an electronic detector.
- If power tools are used do not forget to:
  - Wear eye protection
  - Unplug equipment after use
- **Important:** Remember to turn off the mains water supply before connecting to any existing pipe work. Fitting isolating valves to the inlet feeds is recommended for ease of maintenance.
-  **Warning:** Before installing the new fitting it is essential that you thoroughly flush through the pipework in order to remove any remaining swarf, solder, etc. Failure to carry out this procedure could cause problems or damage to the workings of the fitting.
- Take care when handling the 'flexible connecting pipes', do not bend, twist or crush them. Only tighten the pipes by hand.
- Your fitting has a high quality finish and should be treated with care to preserve the visible surfaces. All surfaces will wear if not cleaned correctly, the only safe way to clean your fitting is to wipe with a soft damp cloth. Stains can be removed using washing up liquid. All bath cleaning powders and liquids will damage the surface of your fitting, even the non-scratch cleaners.

**Note:** Never use abrasive detergents or disinfectants or those containing alcohol, hydrochloric acid or phosphoric acid.
- This product **must** not be modified in any way as this will invalidate the guarantee.

# Specifications

**Inlet Connections:** 15mm Compression flexible connecting pipes

**Minimum working pressure:** 1.0 bar

**Maximum working pressure:** 5.0 bar

**Maximum static pressure:** 10.0 bar

**System Requirements:**

Gravity fed hot & cold (Equal pressures)

Gravity fed hot & cold (Differential pressure, maximum ratio 5:1)

Unvented systems

Instantaneous water heater (Combination boiler)

**Timed Flow:** 15 Seconds  $\pm$  5 Seconds

This product has been tested to the Water Regulations Advisory Scheme (WRAS) and satisfies the requirements of the Water Supply (Water Fittings) Regulations 1999 and current bylaws.

For full Installation Requirements & Notes (IRN) please visit [www.wras.co.uk/directory](http://www.wras.co.uk/directory).

Designed to comply with and to be used within systems designed to BS 6700.

BS 6700 recommends the temperature of stored water should never exceed 65°C. A stored water temperature of 60°C is considered sufficient to meet all normal requirements and will minimise the build up of lime scale in hard water areas.

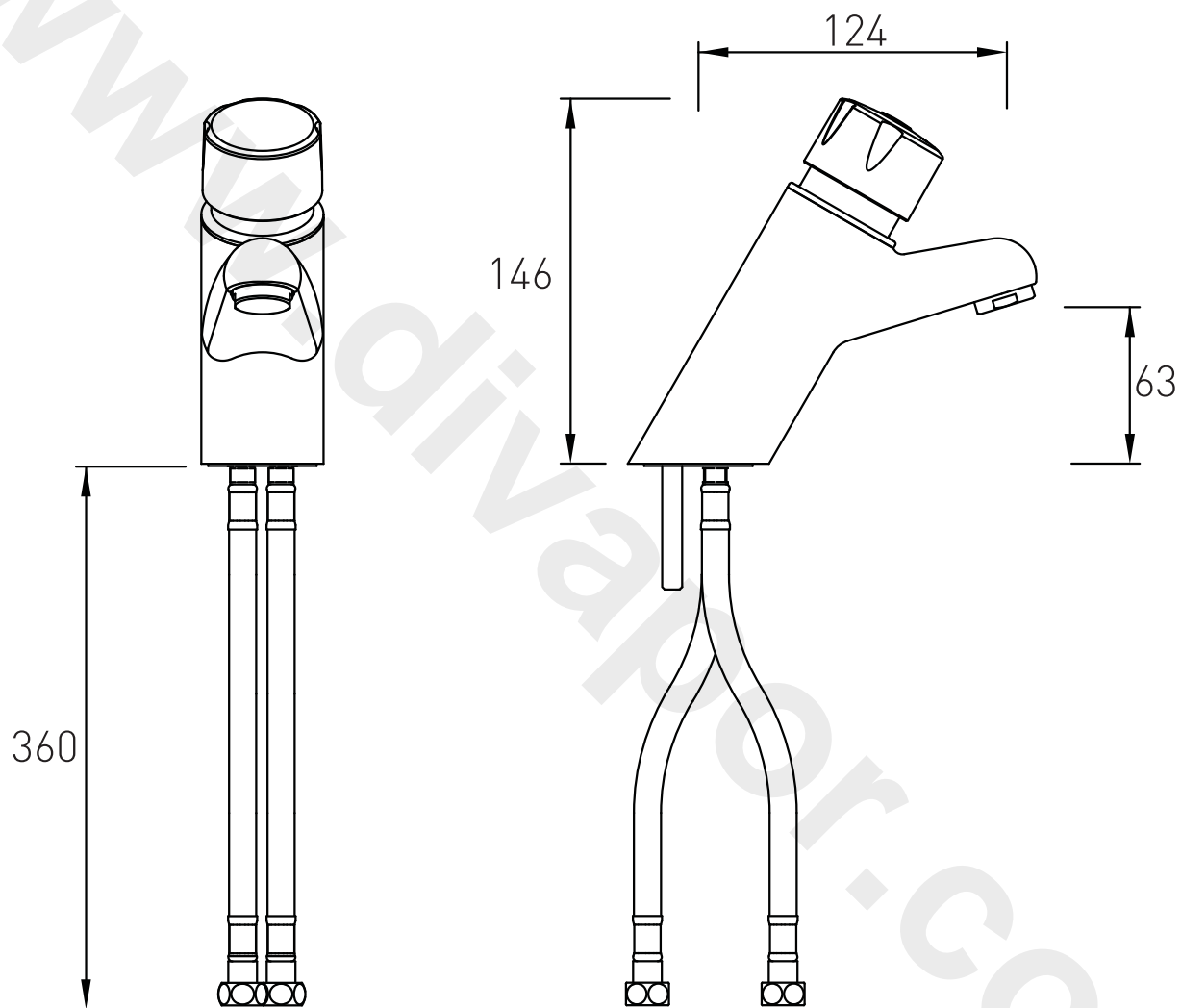
If the fitting is installed at low pressure (tank fed), then the minimum distance from the highest installed position of the outlet to the underside of the cold tank should be at least 10 metres to ensure adequate performance.

These taps and mixers should be installed in compliance with the Water Regulations. Where the supplies are unbalanced, i.e. Hot water from cylinder tank / cold from the mains, approved check valves must be fitted in the supply pipes.

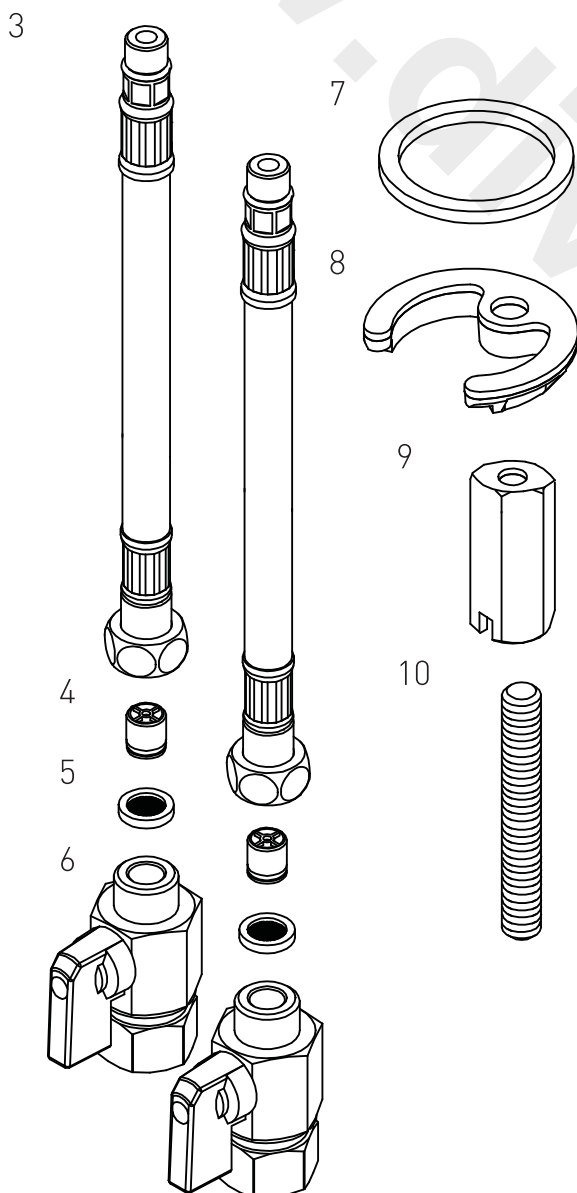
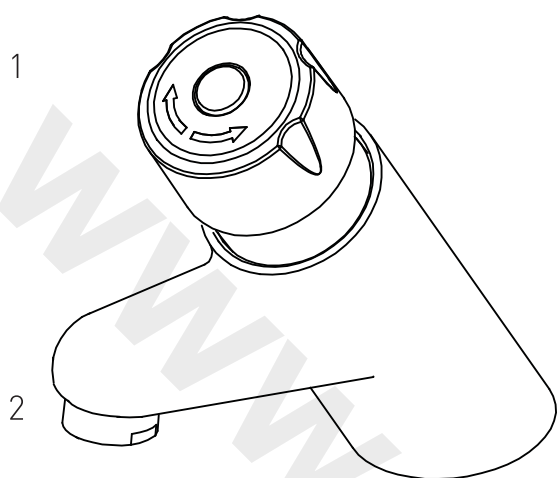
For further details contact your Local Water Authority.

# Dimensions

Dimensions are in millimetres.



# Pack Contents



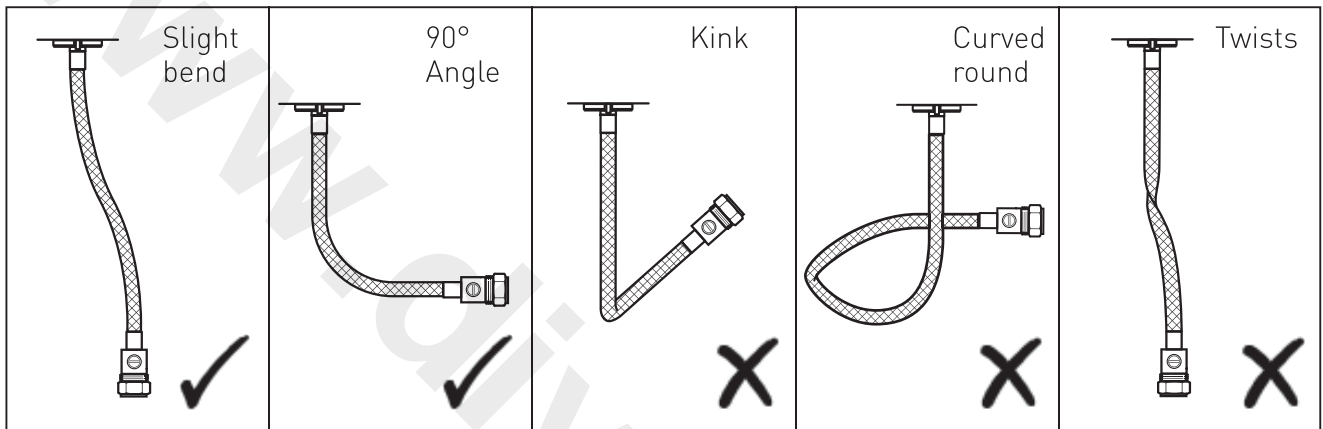
1	Tap Body	x1
2	3 l/p/m Flow Regulator (Fitted)	x1
3	Flexible Connecting Pipes	x2
4	Non Return Valves (Pre-fitted)	x2
5	Filter Washers	x2
6	Isolation Valves	x2
7	Base Washer	x1
8	'C' Shaped Plate	x1
9	Fixing Nut	x1
10	Fixing Rod	x1

# Prior to Installation

## Flexible Connecting Pipes

Care must be taken when connecting the flexible connection pipes to the household pipework to ensure they do not bend sharply and kink or twist.

See below for recommended ways to fit the flexible connecting pipes.

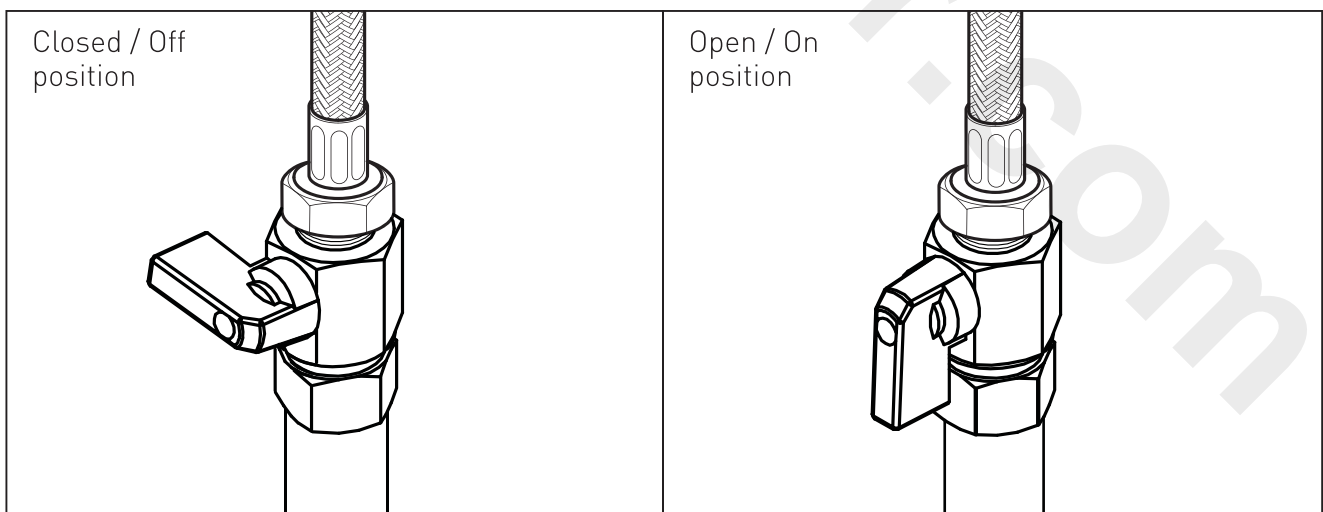


**⚠ Important:** Failure to follow these guidelines may result in poor performance and damage to the flexible connecting pipes.

## The Integral Isolation Valves

The integral isolation valves must be accessible for turning on / off and for future servicing purposes.

See below for the on and off positions of the isolation valves.



# Installation

## Before installation

Flush through the pipework to ensure removal of debris. Turn off both water supplies or close any isolating valves.

### 1. Fit the tap to sink

Thread the fixing rod into the bottom of the tap (if not already fitted). Fit the tap to the basin / sink / work surface ensuring the washer is fitted to the bottom of the tap to ensure a water tight seal between the tap and mounting surface.

Thread the 'C' shaped fixing plate on to the fixing rod up to the underside of the basin / sink / work surface.

Secure the tap in place by screwing the fixing nut onto the fixing rod.

Tighten the fixing nut fully using a suitable spanner.

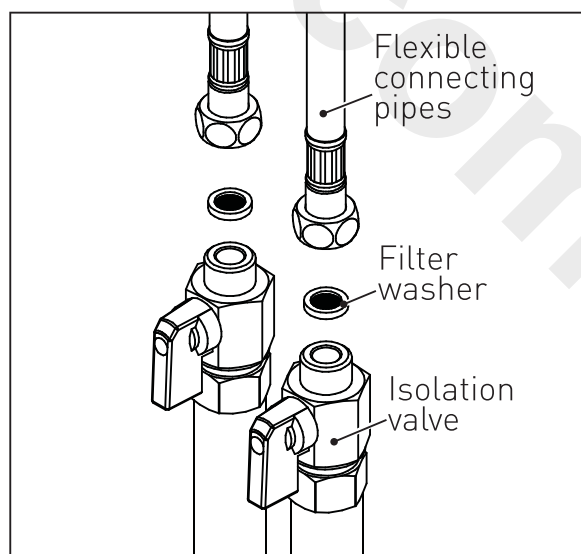
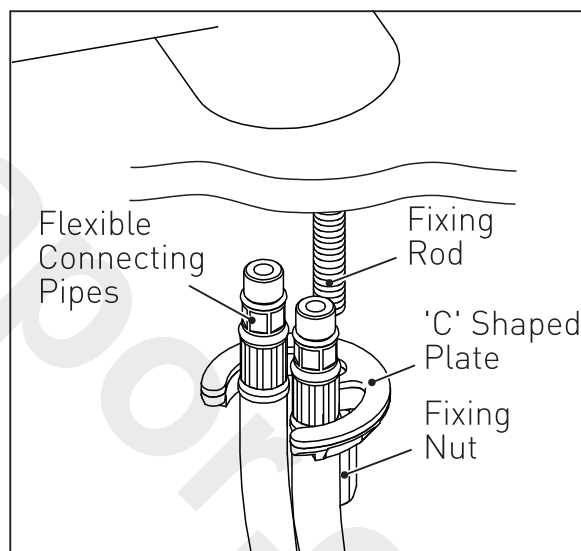
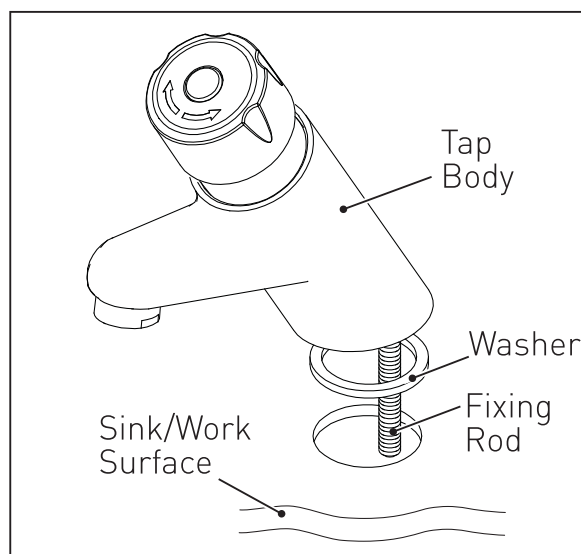
### 2. Connect water supplies

Screw the flexible connecting pipes into the bottom of the tap body, ensuring they are tightened fully (**hand tighten only, do not over tighten**).

Screw the isolating valves onto the flexible connecting pipes ensuring the filter washers are fitted in the flexible connecting pipe nuts.

Connect the isolating valves onto the water supply pipework using the compression nuts and olives supplied and tighten securely using a suitable spanner.

Turn on both water supplies and operate the tap by pushing down and releasing the handle to ensure the tap is working correctly.

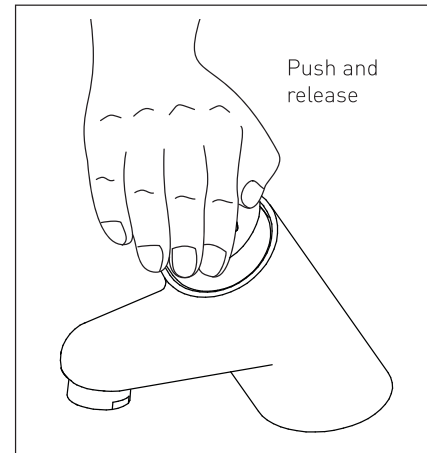




# Operation

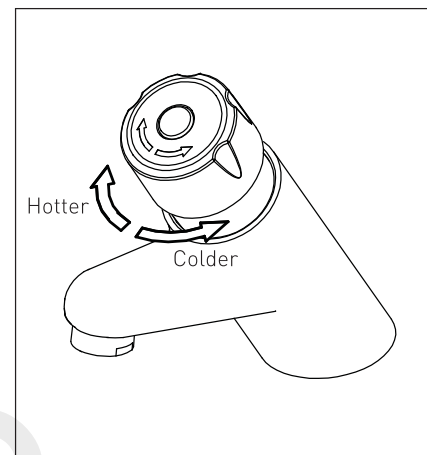
## 1. Flow Control

To operate the flow of water push down fully and release the control knob. The water will flow for approximately 15 seconds  $\pm$  5 seconds. Important: If the user pushes and holds down the control knob the water will not flow.



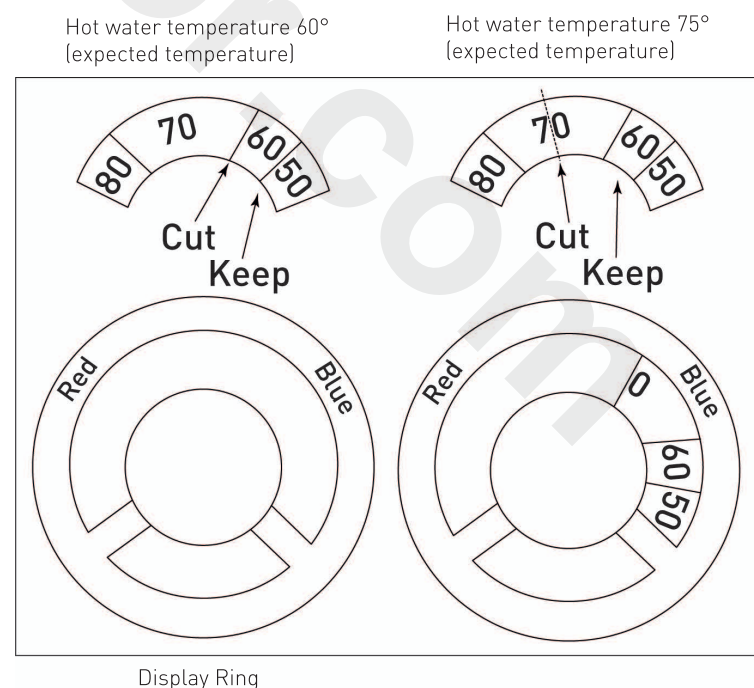
## 2. Temperature Control

Rotate the control knob clockwise for a cooler temperature. Rotate the control knob anti-clockwise for a hotter water temperature.



## 3. Maximum temperature limiting

A temperature regulator device is supplied with each mixer. Once fitted inside the display ring, it reduces the rotation of the knob allowing to keep the maximum water temperature at 40° even if the hot water supply is as high as 80°. Cut the elastomer regulator device with a blade as shown. Place the regulator device in the groove of the display ring, blue side to be positioned as shown.



# Maintenance

## General Cleaning

Your fitting has a high quality finish and should be treated with care to preserve the visible surfaces. All surfaces will wear if not cleaned correctly, the only safe way to clean your mixer is to wipe with a soft damp cloth. Stains can be removed using washing up liquid. All bath cleaning powders and liquids will damage the surface of your fitting, even the non-scratch cleaners.

**Note:** Never use abrasive detergents or disinfectants or those containing alcohol, hydrochloric acid or phosphoric acid.

## Cleaning the Non Return Valves (NRV)

Before carrying out this maintenance, turn off both isolating valves and operate the tap to release any built up water pressure within the tap.

Unscrew the flexible connecting pipes from the isolation valves. Remove the filter washers to reveal the non return valves inside the bottom of the flexible connecting pipes.

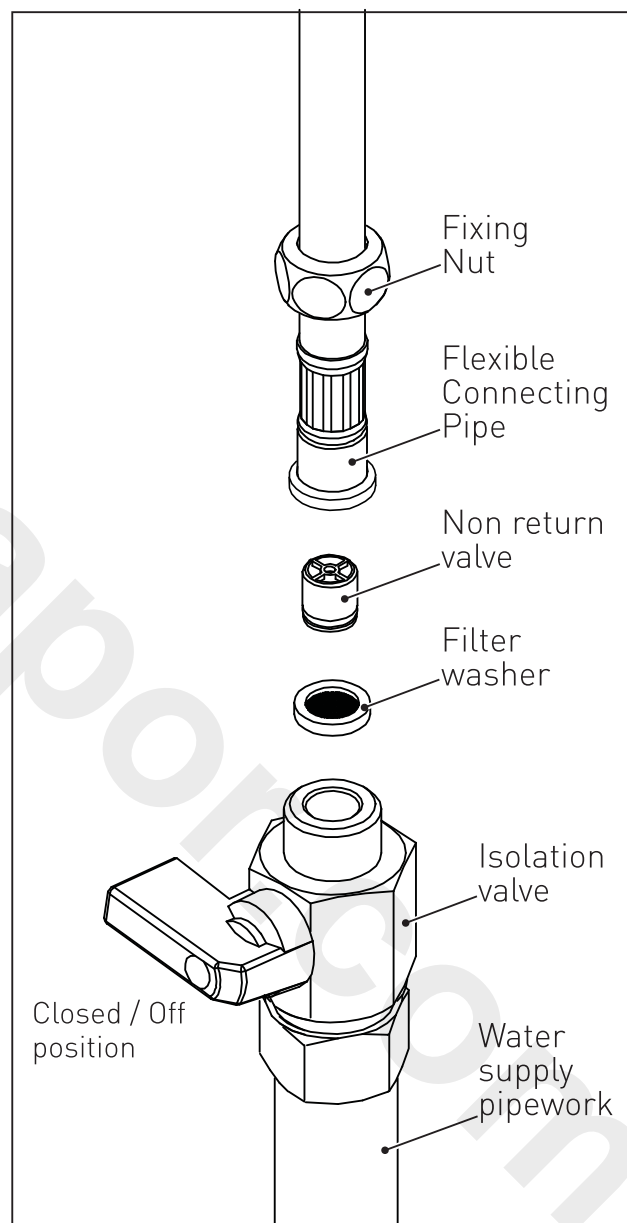
Pull the non return valves out from the flexible connecting pipes using suitable long nose pliers and clean under running water.

Check the non return valve opens freely, replace with new NRV's from Bristan if faulty.

Replace the non return valves in the bottom of the flexible connecting pipes pushing them in fully.

Reconnect the flexible connecting pipes to the isolation valves ensuring the filter washers are refitted.

Turn on both isolation valves and operate the tap to ensure the non return valves open freely.



# Maintenance

## Cleaning the Cartridge

Before carrying out any maintenance, turn off both water supplies and close any isolating valves.

Prise out the handle cover cap, loosen the grub screw and remove the handle.

Remove the temperature limiter and spring.

Unscrew the locking nut using a suitable box spanner. Using suitable grips pull the cartridge retaining shroud out from the body. The cartridge assembly will come out attached to the cartridge retaining shroud.

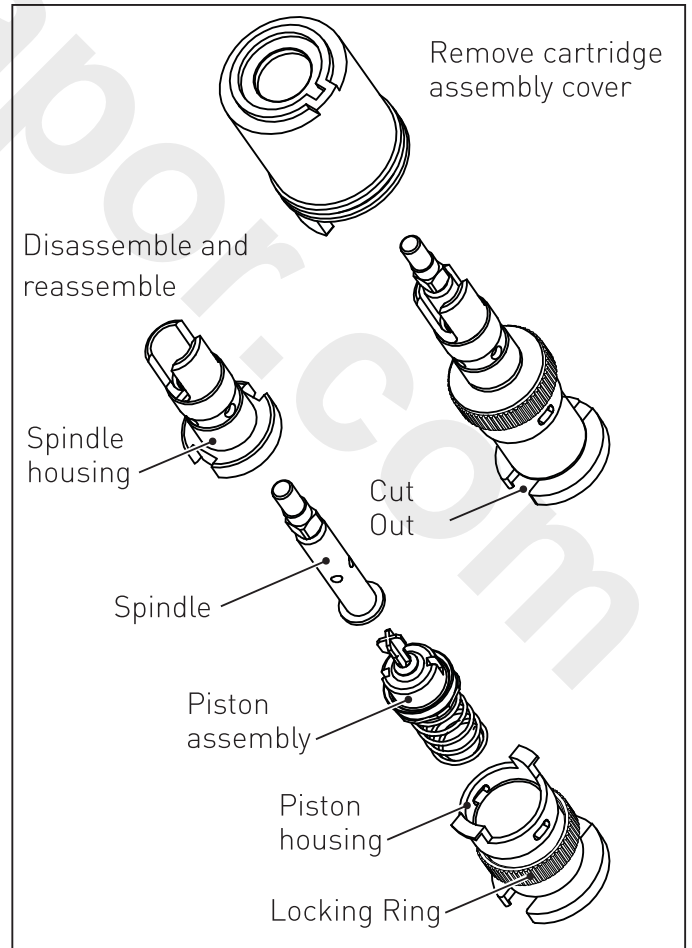
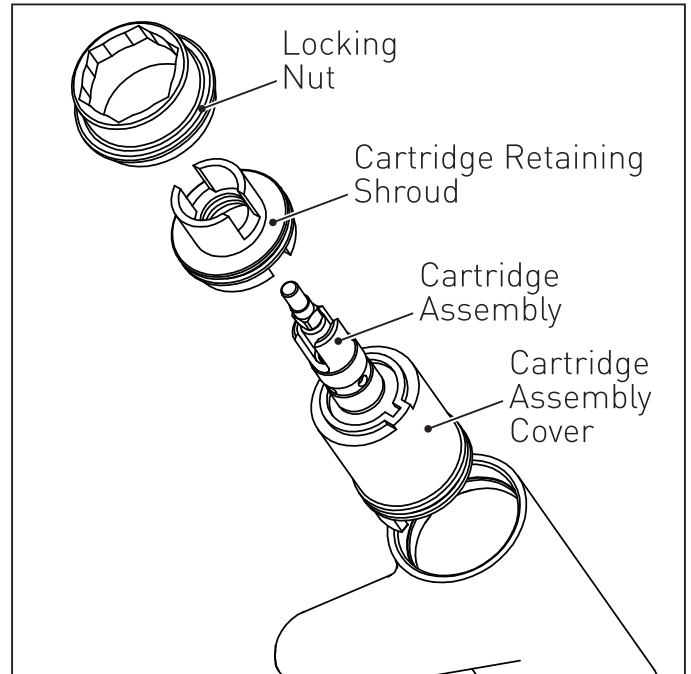
Pull the cartridge retaining shroud away from the cartridge assembly.

Remove the cartridge assembly cover and unscrew the locking ring. Push the cartridge spindle out from the spindle housing and clean all parts under clean running water.

Reassemble the cartridge (ensuring the cut out in the bottom of the cartridge is pointing towards the front when refitted) and grease all 'O' rings with a suitable silicon grease.

Replace the cartridge assembly and push the cartridge retaining shroud into the tap body. Secure the cartridge assembly by screwing the locking nut onto the tap body using a suitable box spanner.

Replace the spring and temperature limiter and push the handle back onto the spindle. Tighten the grub screw and push-fit the cap into position.



# Troubleshooting

Symptom	Cause	Remedy
Tap will not operate when control knob is fully pushed in.	Isolation valves closed.	Open Isolation valves.
	User is holding in control knob.	Release control knob. The water will not flow if the control knob is held in by the user.
	Head of water is below the minimum required.	Refer to 'Specification' section on page 4.
	Airlock or blockage in water supply pipework.	Flush through the water supply pipework to ensure removal of any debris or airlocks.
	Instantaneous water heater (if being used) cycles on and off as flow rate or water pressure is too low.	Increase water flow rate or water pressure through system to meet required minimum working pressure of tap.
Tap will not shut off.	Cartridge assembly faulty or requires servicing / cleaning.	Remove cartridge assembly and clean / replace. Refer to 'Maintenance' section on pages 10-11 before dismantling the tap.
Tap does not run for long enough.	Isolation valves partially closed.	Open isolation valves fully.
	Insufficient water pressure	Check water supply pressure. Refer to 'Specifications' section on page 4.
	Tap cartridge assembly faulty or requires servicing / cleaning.	Remove tap cartridge assembly and clean / replace. Refer to 'Maintenance' section on pages 10-11 before dismantling the shower valve.
	Flow regulator blocked.	Remove flow regulator and clean. Unscrew flow regulator housing from spout, remove flow regulator clean and replace.

# Troubleshooting

Symptom	Cause	Remedy
	Flow regulator blocked.	Remove flow regulator and clean. Turn off the mains water supply or close any isolation valves before removing the riser / flow regulator.
	Insufficient water pressure.	Check water supply pressure. Refer to 'Specification' section on page 4.
	Isolation valves partially closed.	Open isolation valves.

# Guarantee

At Bristan, we want to make things as easy as possible for our customers. That's why we design products that are easy to fit and use, and that are quality tested to make sure they won't let you down. It's also why we offer solid guarantees on all products, effective from the date of purchase, to give you peace of mind.

Bristan's Commercial Taps are covered by a **1 year guarantee**. This also includes **1 year labour cover** \* (subject to registration) which means that, in the unlikely event that there is a problem in the first year after purchase, we'll send one of our expert engineers to fix it.

\*Labour is provided by an approved Bristan Care engineer or appointed representative. The guarantee only applies to products with a manufacturing fault. There will be a call out charge for any incidents where no fault has been found with the product, or if the issue is due to poor installation or maintenance.

## Guarantee Terms and Conditions

This guarantee is in addition to your statutory and other legal rights and is subject to the following conditions:

- The product was purchased within the United Kingdom or Republic of Ireland.
- The guarantee applies solely to the original purchaser with proof of purchase.
- The installation must allow ready access to all products for the purpose of inspection, maintenance or replacement.
- Repair under this guarantee does not extend the original expiry date. The guarantee on any replacement parts or product ends at the original expiry date.
- Any part found to be defective during the guarantee period will be replaced without charge, providing that the product has been installed in accordance with the instructions given in this guide and used as the manufacturer intended.

The guarantee does not cover:

- Damage or defects caused by;
  - General wear and tear (including special non-chrome finishes; components such as filters, seals, 'O' rings and washers)
  - Incorrect installation
  - Repair using non-Bristan parts
  - Accidental or wilful misuse
  - Corrosion and the use of inappropriate cleaning products
  - System debris including the build up of limescale (which can be controlled through regular servicing and maintenance)
- Compensation for loss of use of the product or consequential loss of any kind.

In the interests of continuous product improvement, Bristan reserves the right to alter product specifications without notice.

The Bristan Product Guarantee does not affect your statutory rights as a consumer.

# Guarantee

- **Need help?**

If this product does not function correctly when first used, contact **Bristan Care Customer Service on 0844 701 6273** where our expert team of advisors will be able to offer you help and advice.

- **Problems during the guarantee period**

In the unlikely event that you encounter any problems with the product during the guarantee period, contact **Bristan Care Customer Service on 0844 701 6273** with your proof of purchase and we will work to resolve the problem quickly.

### **Bristan Care Customer Support**

Bristan customers also benefit from the support of Bristan Care, our comprehensive customer support package which offers:

#### **Technical support hotline**

[Tel: 0844 701 6273] with access to fully trained advisers who can offer installation advice, talk you through quick maintenance checks, or recommend the best course of action to fix any problems with a product.

#### **Expert advice**

Find easy to follow 'how to' video guides and technical FAQs online at [www.bristan.com](http://www.bristan.com). Our guides take you step-by-step through many product installations and you can find plenty of easy guides to quick product fixes and servicing.

#### **Spare parts**

We hold thousands of spares and we keep them for discontinued products for over seven years. Spares can easily be ordered online at [www.bristan.com](http://www.bristan.com) and are dispatched the same day.

#### **Expert plumbing engineers**

If we can't solve the problem over the 'phone or with a spare part, then we'll send out one of our Bristan Care engineers to take a look. Bristan Care engineers provide free support for products that are within guarantee, but are also available to service products that are out of guarantee for a small charge. For details, please call **Bristan Care Customer Service on 0844 701 6273**.

Part Number: FI Z TC 1/2 C

Issue: D3

# BRISTAN

Bristan Group Ltd.  
Birch Coppice Business Park  
Dordon  
Tamworth  
Staffordshire  
B78 1SG  
Web: [www.bristan.com](http://www.bristan.com)  
Email: [enquire@bristan.com](mailto:enquire@bristan.com)

A Masco Company

## Useful contact details:

Customer Service:

**0844 7016273**

Customer Service Email:

**[Customercare@bristan.com](mailto:Customercare@bristan.com)**

Customer Service Fax:

**0844 7016275**

Reception:

**0844 7016274**

Join us on...

