

Z TC 1/2 C

COMMERCIAL Tap Range Timed Flow Temperature Control Basin Mixer Tap



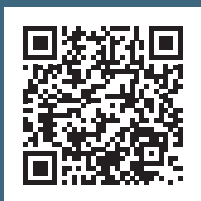
Features:

- 15 seconds timed flow (+/- 5secs)
- Integral isolation valves
- Temp control
- Anti water-hammer
- Meets ECA requirements

Product Certifications:



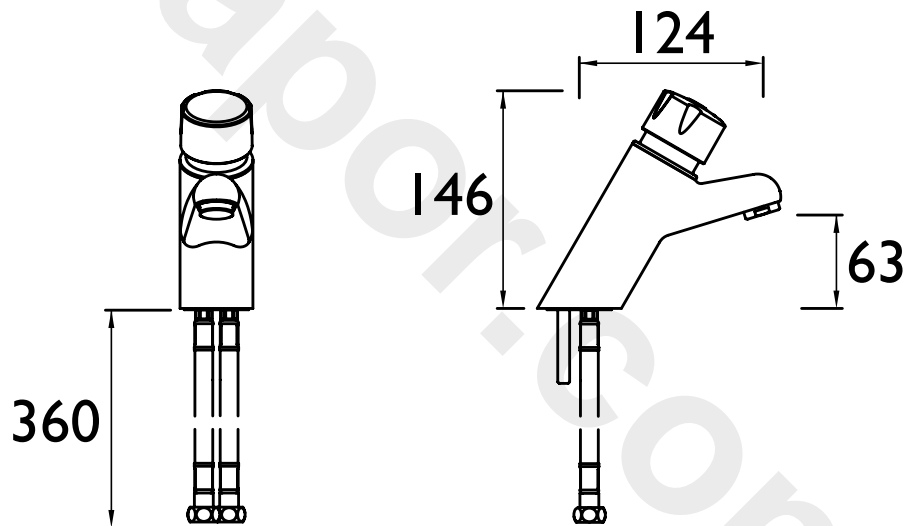
Also available from the
COMMERCIAL Tap Range is:



Specification

Style:	Contemporary
Product Type:	Commercial
Finish/Colour:	Chrome
Main Construction Material:	Brass
Mount Type:	Deck Mounted
Handle Type:	Round
Connection Inlet:	15mm Compression Flexible Tails
Number of Tap Holes Required:	1
Valve/Cartridge Type:	Temperature Control Cartridge
Plumbing System Suitability	High Pressure Systems Only
Working Pressure Range:	Min 1.0 Bar, Max 5.0 Bar
Maximum Hot Water Temperature: °c	60
Maximum Dynamic Pressure: (bar)	5
Maximum Static Pressure: (bar)	10
Flow Type:	Single Flow
Flow Rate: (l/min @ 3 bar)	5.7
Connection Outlet:	Open
Isolation Included:	Yes

Dimensions (measurements in mm)



Flow Rates (l/min)

System Pressure (bar)	1	2	3	4	5
Z TC 1/2 C	3.7	5.1	5.7	5.3	5.3

TECHNICAL
DATA
SHEET



BRISTAN
TAPS & SHOWERS

D5